

Bianchi Vending Group - Spare Parts
Catalog related to :

-  **Coffee Machines**
-  **BVM 952 - Free Standing**

Summary

Coffee Machines BVM 952 - Free Standing	1
Coffee Machines BVM 952 - Free Standing BV952ES01GG - BVM952 E4S MC PD	2
Coffee Machines BVM 952 - Free Standing BV952ES01GG - BVM952 E4S MC PD ESPRESSO ASSEMBLY	3
PLASTIC COFFEE GROUP(1)	4
COFFEE GRINDER - DOSER (404)	6
COFFEE GROUP GEARMOTOR (483)	8
COFFEE HOPPER (632)	10
PISTON ASSEMBLY(761)	12
ESPRESSO BOILER ASSY W/INSTANT ELECTROVALVES (763)	14
BVM 952 DRAWER ASSY (760)	16
GRINDER + DOSER ASSY SUPPORT - PRODUCT CANISTERS GEARMOTORS (765)	18
Coffee Machines BVM 952 - Free Standing BV952ES01GG - BVM952 E4S MC PD INSTANT ASSEMBLY	20
MOTORS (401)	21
SUPPLEMENT PARTS (772)	23
COMPONENTI EROGAZ. CON ANTIMICROBICO (811)	25
Coffee Machines BVM 952 - Free Standing BV952ES01GG - BVM952 E4S MC PD HYDRAULIC COMPONENTS	27
INLET WATER (767)	28
CIRCUITO IDRAULICO CON ANTIMICROBICO (813)	30
Coffee Machines BVM 952 - Free Standing BV952ES01GG - BVM952 E4S MC PD ELECTRICS & ELECTRONICS	32
ELECTRIC PANEL (759)	33
NEON AND ELECTRICAL PARTS (781)	35
KIT RETROFIT LED (851)	37
Coffee Machines BVM 952 - Free Standing BV952ES01GG - BVM952 E4S MC PD PRODUCT DELIVERY	39
CUP STATION (88)	40
SUGAR NOZZLES SUPPORT ASSY (766)	42
CUPS TURRET ASSY AND CUPS DISPENSER (769)	44
Coffee Machines BVM 952 - Free Standing BV952ES01GG - BVM952 E4S MC PD CABINET	46
CABINET AND PARTS (771)	47
CABINET SUPPLEMENT PARTS (779)	49
Coffee Machines BVM 952 - Free Standing BV952ES01GG - BVM952 E4S MC PD DOOR	51
KEYPAD - DISPLAY (777)	52
DOOR INTERNAL COMPONENTS (780)	54
KIT ASTA SERRATURA RINFORZATA (910)	56
Coffee Machines BVM 952 - Free Standing BV952ES03GG - BVM952 E5S MCPD	58
Coffee Machines BVM 952 - Free Standing BV952ES03GG - BVM952 E5S MCPD ESPRESSO ASSEMBLY	59
GRINDER WITH VERTICAL MOTOR(29)	60
COFFEE BEANS CONTAINER (768)	62
ASS. CALDAIA ESPRESSO-SOLUBILE 5 EL-VALV. (921)	64
C/O SUPP. MACINADOS. MOTORIDUTTORI SCAT. DOSATRICI (934)	66
C/O CASSETTO BVM 972/952 MC (992)	68
Coffee Machines BVM 952 - Free Standing BV952ES03GG - BVM952 E5S MCPD INSTANT ASSEMBLY	70
COMPONENTI PER MISCELATORI x cassetto 96067330 (993)	71
Coffee Machines BVM 952 - Free Standing BV952ES03GG - BVM952 E5S MCPD HYDRAULIC COMPONENTS	73
WATER PUMP - FLOW SENSO (830)	74

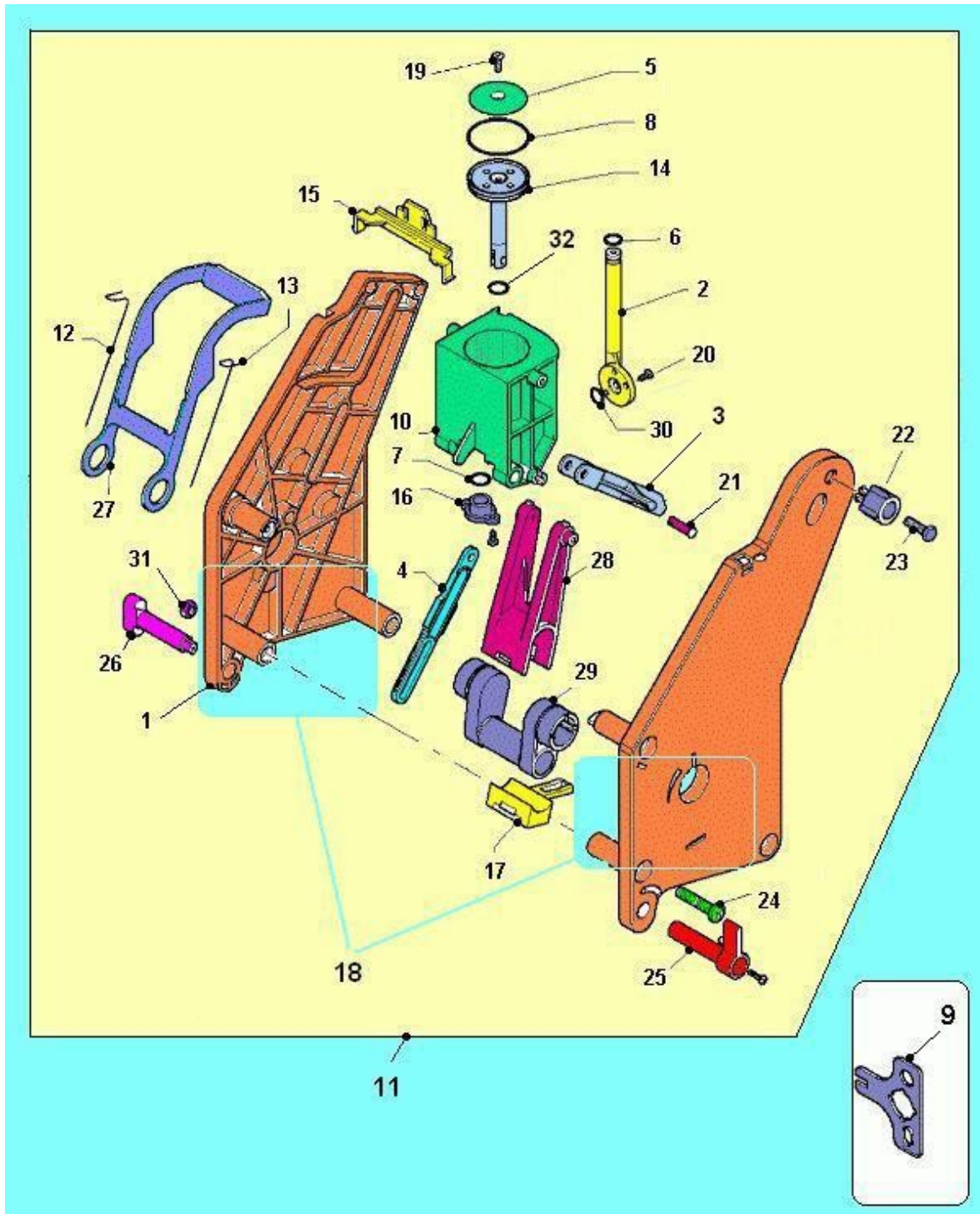
Coffee Machines BVM 952 - Free Standing BV952ES03GG - BVM952 E5S MCPD ELECTRICS & ELECTRONICS	76
Coffee Machines BVM 952 - Free Standing BV952ES03GG - BVM952 E5S MCPD PRODUCT DELIVERY	77
NOZZLES SUPPORT PARTS (603)	78
CUPS DISPENSER PARTS (628)	80
Coffee Machines BVM 952 - Free Standing BV952ES03GG - BVM952 E5S MCPD CABI NET	82
Coffee Machines BVM 952 - Free Standing BV952ES03GG - BVM952 E5S MCPD DOOR	83
LOCK (631)	84
COINS INTRODUCTION (647)	86
DOOR EXTERNAL COMPONENTS (778)	88
Coffee Machines BVM 952 - Free Standing BV952I N01GG - BVM952 I7S PD	90
Coffee Machines BVM 952 - Free Standing BV952I N01GG - BVM952 I7S PD DOOR	91
DOOR EXTERNAL COMPONENTS (982)	92
Coffee Machines BVM 952 - Free Standing BV952I N01GG - BVM952 I7S PD CABI NET	94
CABINET AND PARTS (989)	95
Coffee Machines BVM 952 - Free Standing BV952I N01GG - BVM952 I7S PD INSTANT ASSEMBLY	97
ASS. SCATOLA DOS. 1/R (900)	98
INSTANT BOILER GROUP ASSEMBLY (979)	100
MOTORS SUPPORT ASSEMBLY (980)	102
C/O SUPPORTO GRUPPO MISCELATORI (990)	104
ASS. SCATOLA DOSATRICE S/RUOTA (986)	106
Coffee Machines BVM 952 - Free Standing BV952I N01GG - BVM952 I7S PD PRODUCT DELIVERY	108
C/O SUPPORTO UGELLI (981)	109
PARTI DI COMPLETAMENTO (988)	111
Coffee Machines BVM 952 - Free Standing BV952I N01GG - BVM952 I7S PD ELECTRICS & ELECTRONICS	113
Coffee Machines BVM 952 - Free Standing BV952I N01GG - BVM952 I7S PD HYDRAULIC COMPONENTS	114
COMPONENTI ELETTROVALVOLA SOLUBILI TIPO "MUELLER" (832)	115
COLLEGAMENTI IDRAULICI - ELETTROV. INGRESSO ACQUA (987)	117
Coffee Machines BVM 952 - Free Standing BV952ES04GG - BVM952 E4S MC DM PD	119
Coffee Machines BVM 952 - Free Standing BV952ES04GG - BVM952 E4S MC DM PD DOOR	120
DOOR EXTERNAL COMPONENTS (1009)	121
Coffee Machines BVM 952 - Free Standing BV952ES04GG - BVM952 E4S MC DM PD CABI NET	123
PARTI DI COMPLETAMENTO (927)	124
CABINET AND PARTS (1011)	126
Coffee Machines BVM 952 - Free Standing BV952ES04GG - BVM952 E4S MC DM PD C/O ESPRESSO - SOLUBILI	128
C/O CASSETTO (1012)	129
GRINDER+DOSER SUPPORT ASSY - PRODUCT CANISTERS MIXERS (1013)	131
Coffee Machines BVM 952 - Free Standing BV952ES04GG - BVM952 E4S MC DM PD ESPRESSO ASSEMBLY	133
COFFEE DOSER ASSEMBLY (539)	134
PISTON ASSEMBLY (822)	136
MOTORIDUTTORE GRUPPO CAFFE' (483)	138
TRAMOGGIA CAFFE' DX/SX (1014)	140
Coffee Machines BVM 952 - Free Standing BV952ES04GG - BVM952 E4S MC DM PD INSTANT ASSEMBLY	142
Coffee Machines BVM 952 - Free Standing BV952ES04GG - BVM952 E4S MC DM PD PRODUCT DELIVERY	143
DISTRIBUTORE PALETTE (864)	144
CUPS STATION (915)	146
SUGAR NOZZLES SUPPRT ASSY (1016)	148
Coffee Machines BVM 952 - Free Standing BV952ES04GG - BVM952 E4S MC DM PD ELECTRICS & ELECTRONICS	150
ELECTRIC PANEL (1017)	151
Coffee Machines BVM 952 - Free Standing BV952ES04GG - BVM952 E4S MC DM PD HYDRAULIC COMPONENTS	153
COLLEGAMENTI IDRAULICI - ELETTROV. INGRESSO ACQUA (1018)	154
COMPONENTI EL-VALV. 2 VIE DC OLAB (1019)	156
Coffee Machines BVM 952 - Free Standing BV952ES05GG - BVM952 E5S MC DM PD	158

Coffee Machines BVM 952 - Free Standing BV952ES05GG - BVM952 E5S MC DM PD DOOR	159
LOCK (914)	160
DOOR INTERNAL COMPONENTS (983)	162
Coffee Machines BVM 952 - Free Standing BV952ES05GG - BVM952 E5S MC DM PD CABINET	164
Coffee Machines BVM 952 - Free Standing BV952ES05GG - BVM952 E5S MC DM PD C/O ESPRESSO - SOLUBILI	165
C/O CASSETTO (920)	166
Coffee Machines BVM 952 - Free Standing BV952ES05GG - BVM952 E5S MC DM PD ESPRESSO ASSEMBLY	168
COFFEE GRINDER - DOSER (817)	169
Coffee Machines BVM 952 - Free Standing BV952ES05GG - BVM952 E5S MC DM PD INSTANT ASSEMBLY	171
SUPPLEMNT PARTS (824)	172
ASS. SCATOLA DOS. 2/R (871)	174
COMPONENTI SCATOLA ORZO/CAFFE (908)	176
C/O SCATOLA ORZO/CAFFE BV952 (1020)	178
Coffee Machines BVM 952 - Free Standing BV952ES05GG - BVM952 E5S MC DM PD PRODUCT DELIVERY	180
Coffee Machines BVM 952 - Free Standing BV952ES05GG - BVM952 E5S MC DM PD ELECTRICS & ELECTRONICS	181
MASTER BOARD - from serial number 07335378	182
Coffee Machines BVM 952 - Free Standing BV952ES05GG - BVM952 E5S MC DM PD HYDRAULIC COMPONENTS	184
COMPONENTI EL-VALV. 2 VIE DC OLAB (929)	185
COMPONENTI EL-VALV. 3 VIE OLAB (930)	187
Other tables	189
VERTICAL GRINDER ASSEMBLY(30)	190
AIR BREAK ASSY W/MICRO SW (784)	192
GRINDER WITH VERTICAL MOTOR (816)	194
POMPA ACQUA - RILEVATORE DI FLUSSO (907)	196
COMPONENTI CALDAIA (922)	198
MIXERS COMPONENTS (923)	200
MIXERS COMPONENTS (762)	202
ASS. DOSATORE CAFFE (964)	204
KEYPAD - DISPLAY (984)	206
INTRODUZIONE E RECUPERO MONETA (985)	208
GRUPPO CAFFE' PLASTICA C/IMBUTO (1005)	210
KEYPAD - DISPLAY (1010)	212
COMPONENTI PER MISCELATORI (1015)	214

Tables of group :

-  **Coffee Machines**
-  **BVM 952 - Free Standing**
-  **BV952ES01GG - BVM952 E4S MC PD**
-  **ESPRESSO ASSEMBLY**

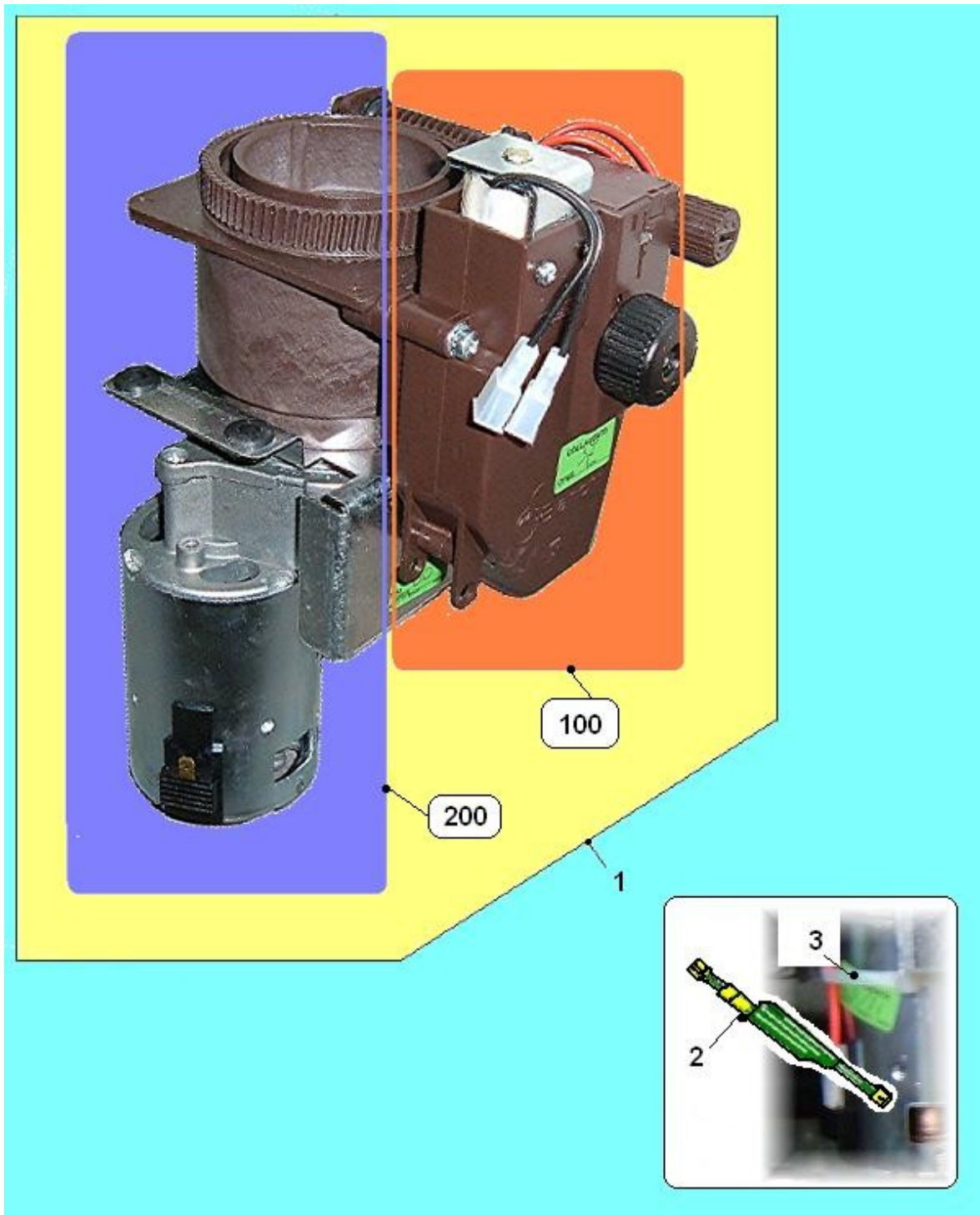
Table: PLASTIC COFFEE GROUP(1)



PLASTIC COFFEE GROUP(1) - Items detail

Position	SPARE PARTS CODE VARIANT	Accessories	DESCRIPTION	For each main item multiply q.ty by
1	05106415-01		rear shoulder	
2	05106815-01		tube for cup	
3	05148315		rod lifter	
4	05107415		drive rod	
5	16012021		coffee group filter	
6	36351316		o-ring for coffee group pipe	
7	36211916		OR 2037 gasket	
8	36363116		OR 2118 SH70 VITON	
9	01475411-01		Coffee group rotation key	
10	05106615-01		cup	
11	95007420-02		plastic coffee group assy	
12	07017911		right spatula spring	
13	07017921		left spatula spring	
14	05161215		waste coffee eject rod	
15	05133515		spacer for group sides	
16	05106715		bush cup	
17	05107215		bracket	
18	43123910		front/rear shoulder assembly	
19	32035236		TSP 3MAx16 IX screw	
20	32222827		Blunt self-threaded screw 2,9x	
21	05107515		rivet	
22	05109515		konb	
23	32090636		TE 5MAx18 screw	
24	32060936		TC 4MAx20 screw	
25	05107815		locking lever	
26	05107915		locking rod	
27	05107015		spatula	
28	05107115		connecting rod	
29	05107615		crank	
30	36210916		OR2021 gasket	
31	34110316		Self-locking nut 5MA	
32	36212716		OR 3037 SH70 VITON	

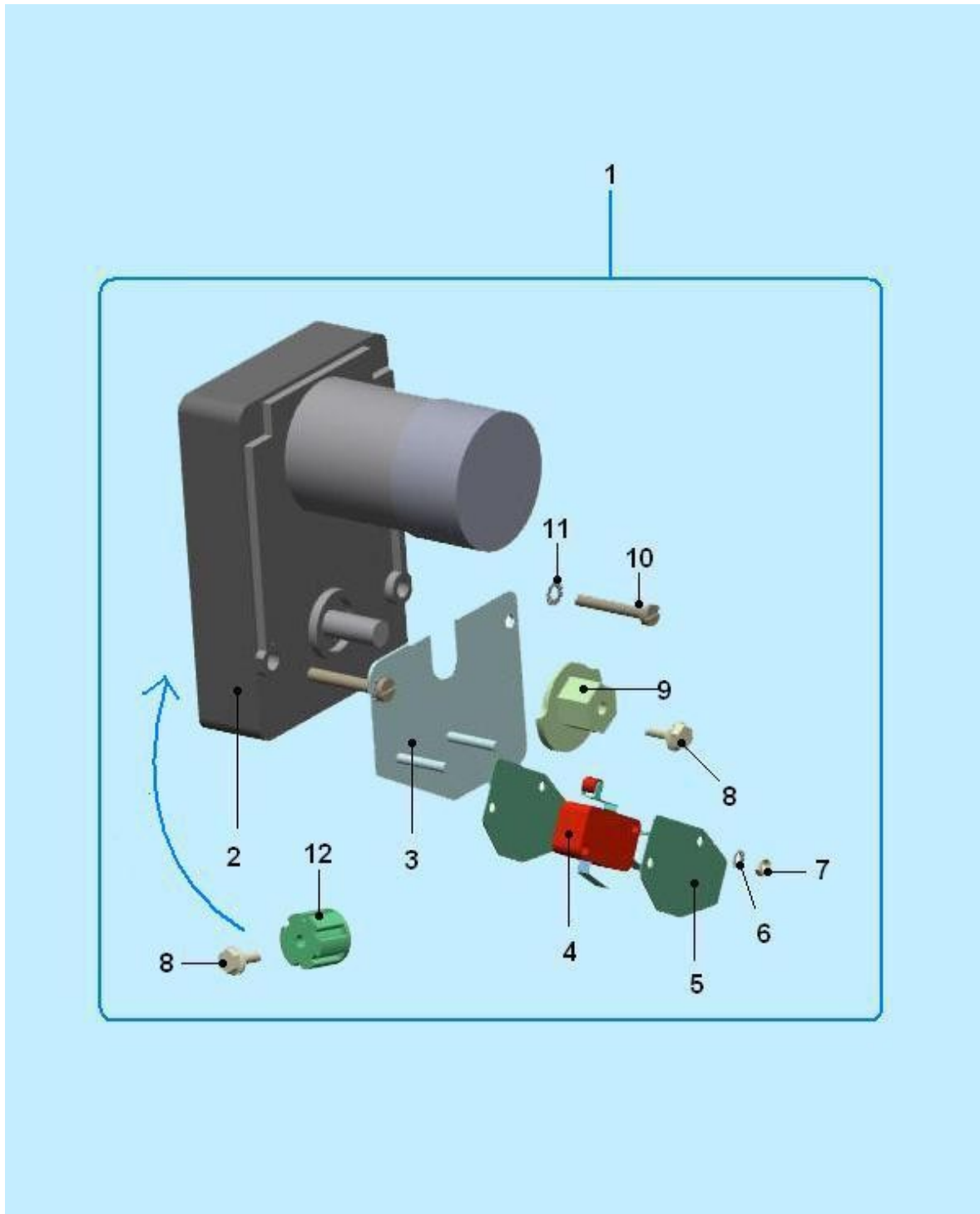
Table: COFFEE GRINDER - DOSER (404)



COFFEE GRINDER - DOSER (404) - Items detail

Position	SPARE PARTS CODE VARIANT	Accessories	DESCRIPTION	For each main Item multiply q.ty by
1	96057610-02		C/O MACINADOS.AMETEK 12 DENT.	
2	22126622		AMETEK FAST 4,8 grinder motor	
3	23026316		lon plast.strip l.290	
100	See Table "ASS. DOSATORE CAFFE (964)" - Pag. 204			
200	See Table "GRINDER WITH VERTICAL MOTOR(29)" - Pag. 60			

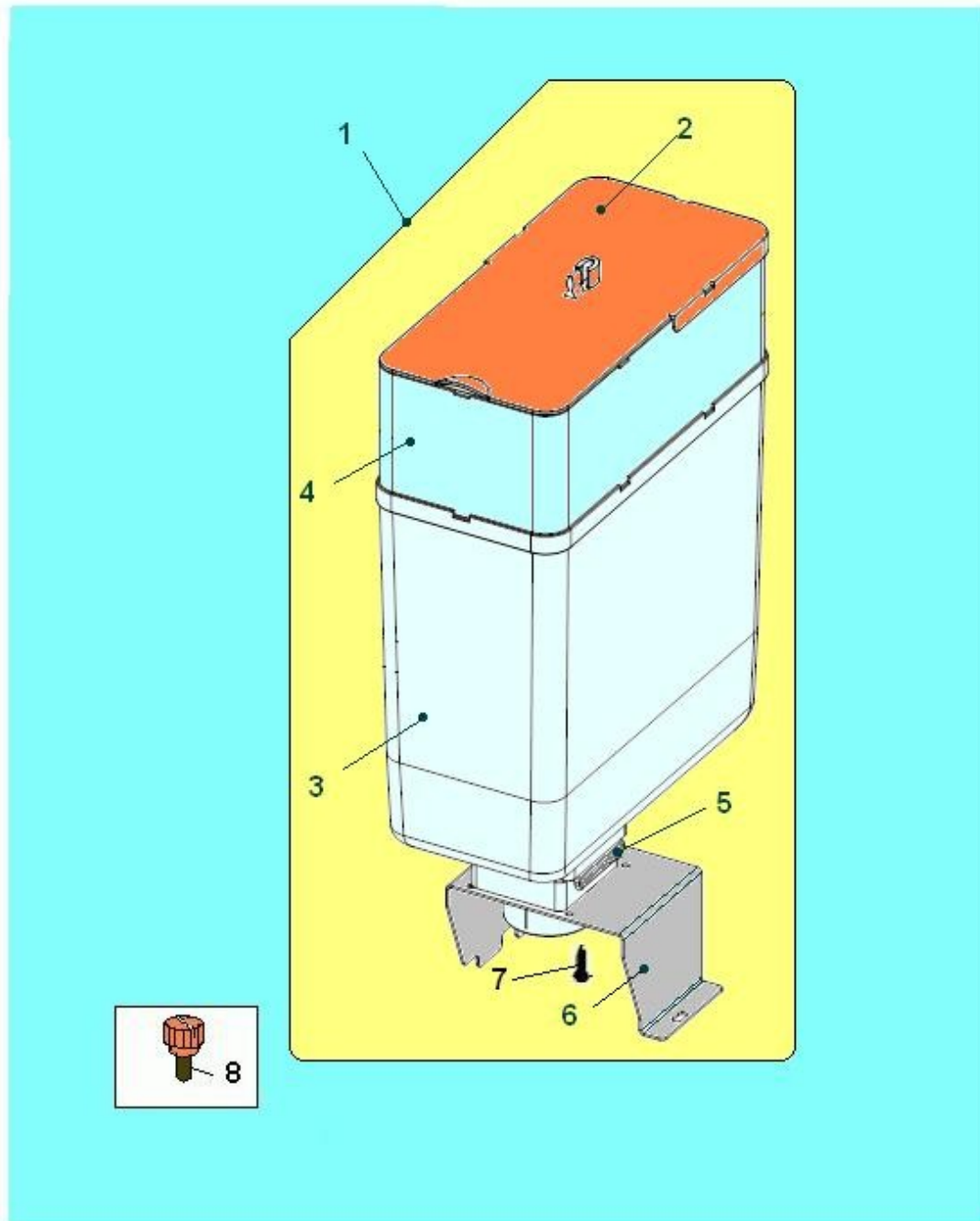
Table: COFFEE GROUP GEARMOTOR (483)



COFFEE GROUP GEARMOTOR (483) - Items detail

Position	SPARE PARTS CODE VARIANT	Accessories	DESCRIPTION	For each main item multiply q.ty by
1	20016810-03		Motor assy w/24V cable coffee	
2	20014946-02		24VDC12rpm cof.group gearmotor	
3	01484212		bracket for micro	
4	26005126		microswitch with wheel	
5	08004111		microswitch insulation	
6	35160216		self-locking diam.3.2	
7	34102716		M3 hexagonal nut	
8	32050516		screw 4 MAX10	
9	05110915M37		Brown rotating group cam	
10	32061016		4M x 25 screw	
11	35160316		d. 4,2 IX self locking washer	
12	41081216		PLASTIC JOINT COFFE GROUP	

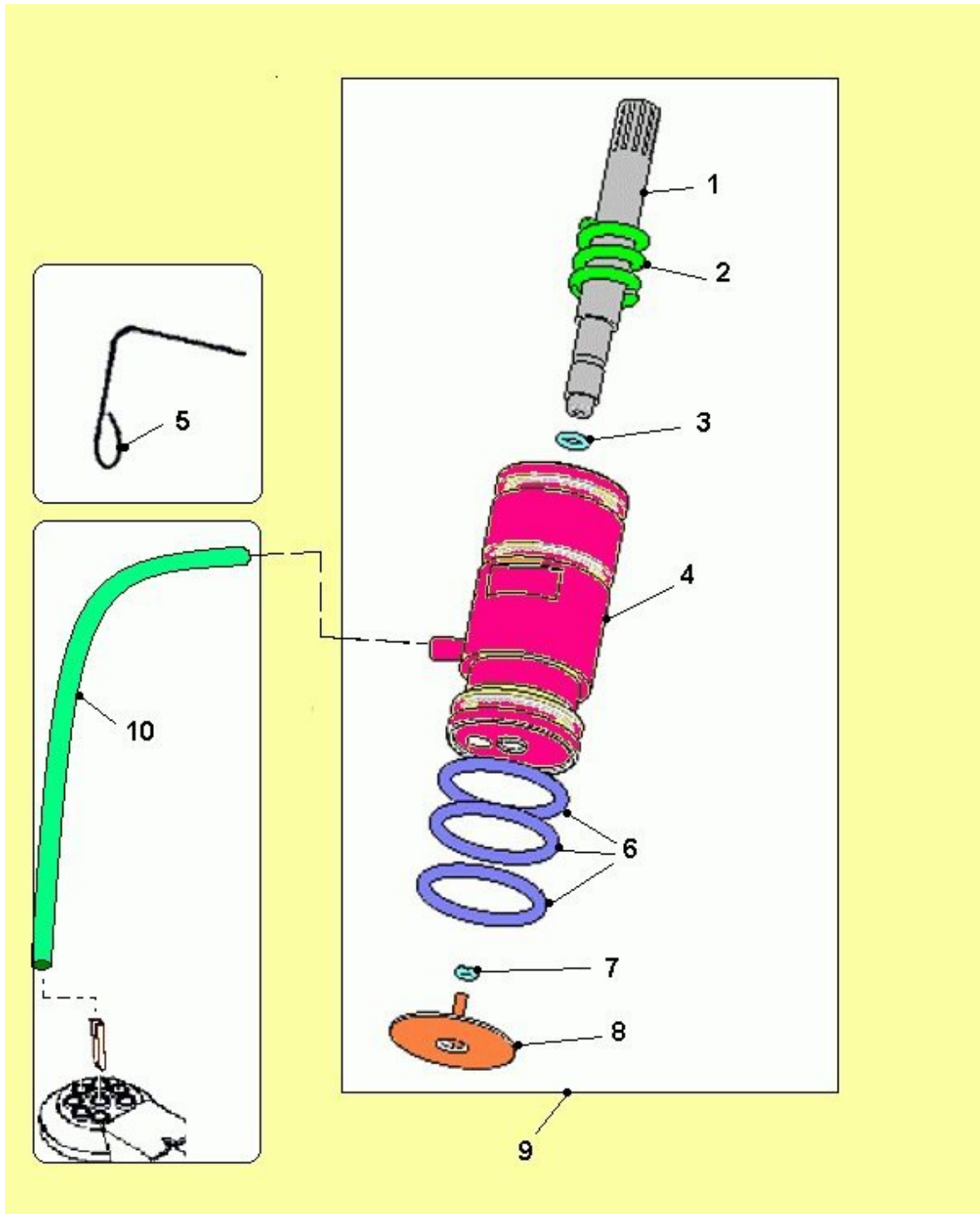
Table: COFFEE HOPPER (632)



COFFEE HOPPER (632) - Items detail

Position	SPARE PARTS CODE VARIANT	Accessories	DESCRIPTION	For each main Item multiply q.ty by
1	05251250		ASS. TRAM. CAFFE BV 972 Kg.3,7	
2	05255015M00		COPERCH. TRAMOGGIA DX-SX BV972	
3	05251315M00		TRAMOGGIA CAFFE BVM972	
4	05256315M00		BVM coffee container extension	
5	05147915		separator for sprint beans con	
6	01782431		BV972/952ANE29 beans cont.supp	
7	32010736		4,0X20 UNI9707 tapping screw	
8	19043521		fixing knob	

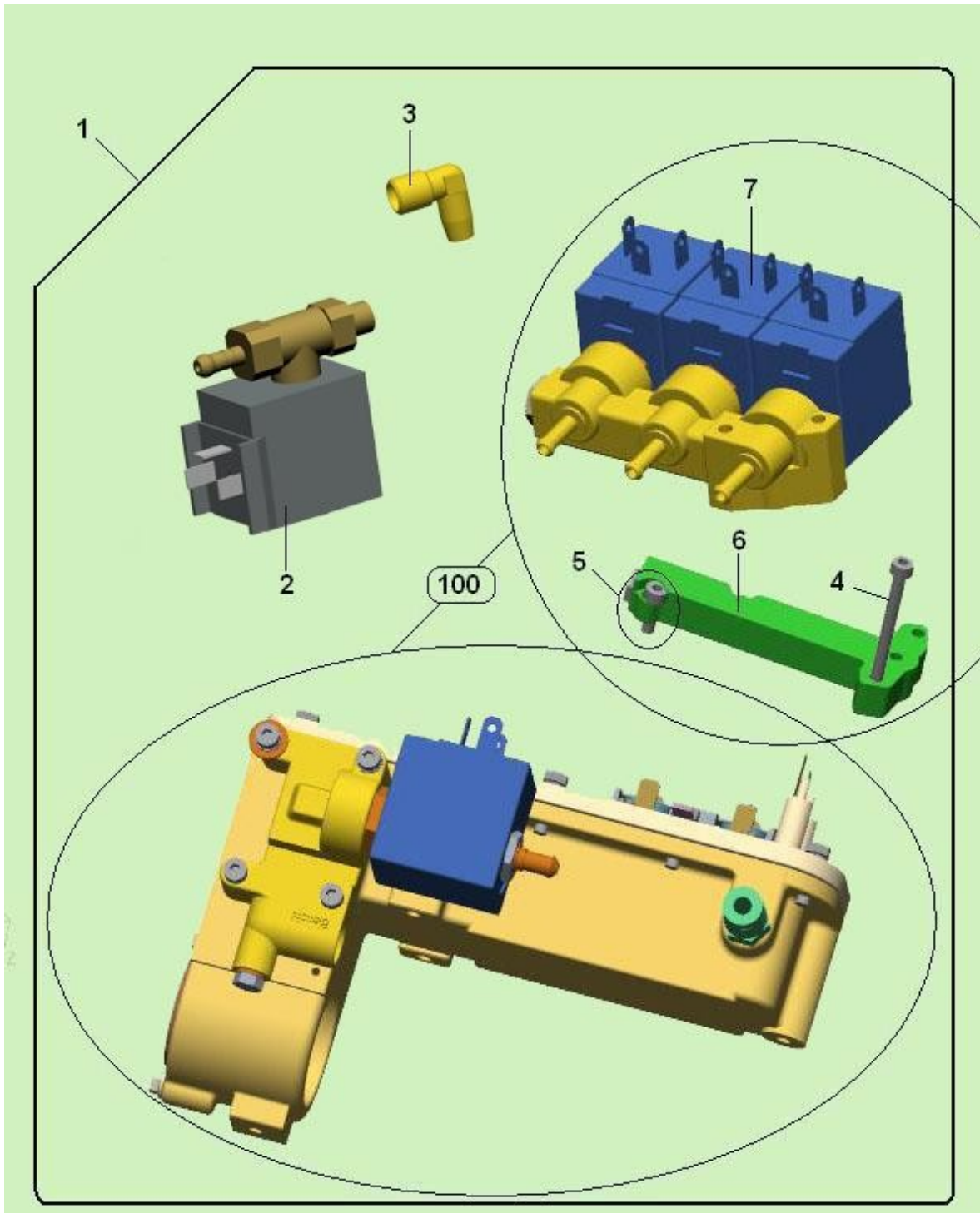
Table: PISTON ASSEMBLY(761)



PISTON ASSEMBLY(761) - Items detail

Position	SPARE PARTS CODE VARIANT	Accessories	DESCRIPTION	For each main Item multiply q.ty by
1	05107725		piston filter knob	
2	07017611		piston spring	
3	36210916		OR2021 gasket	
4	05148032-01		Piston with valve seat	
5	07017511		piston block rod	
6	36211816		OR4112 gasket	
7	36212116		OR2010 gasket	
8	16014812		filter assy	
9	05138130-01		Cegasa coffee-gr. piston assy	
10	09087873-01		3x6 brown silicone pipe	

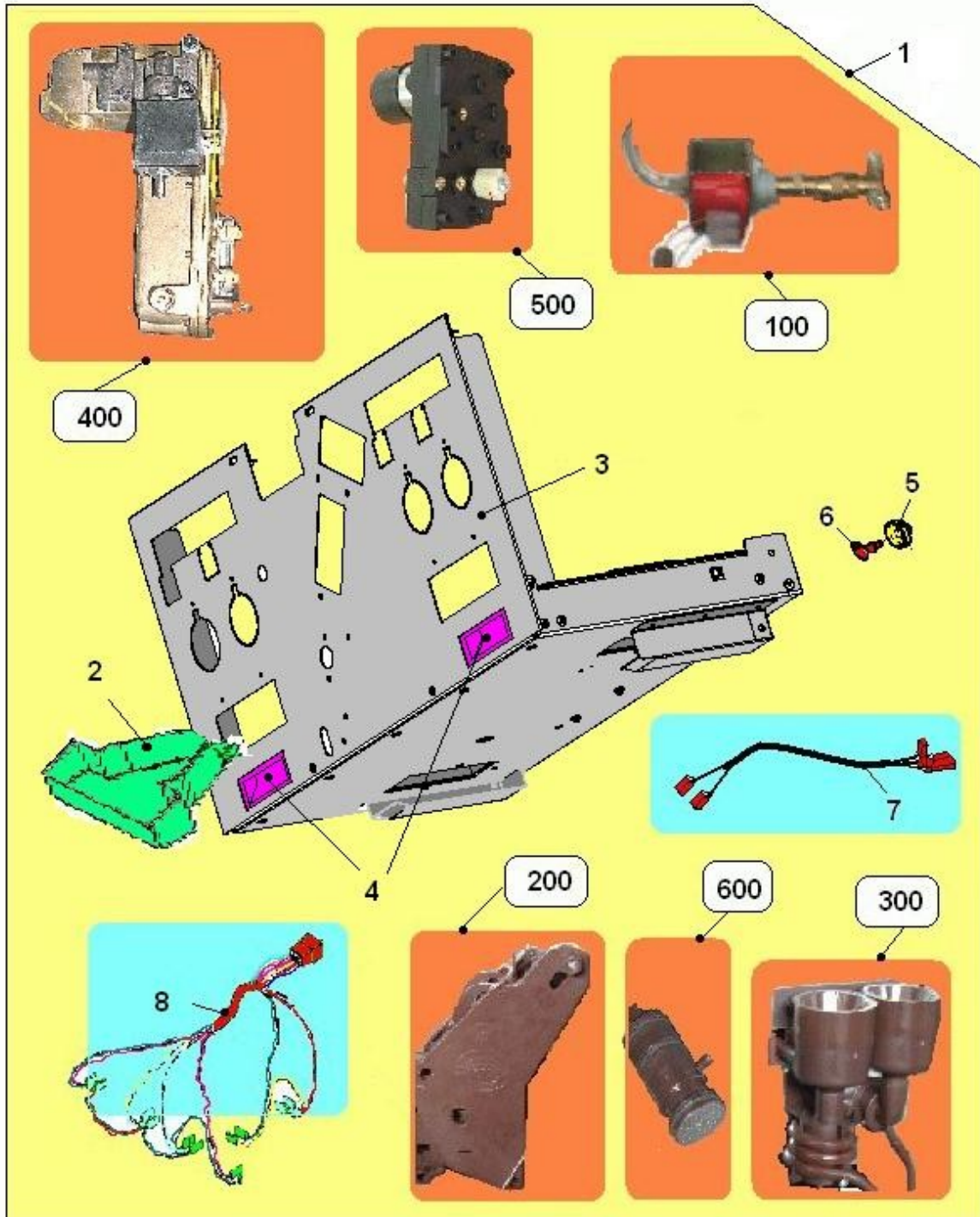
Table: **ESPRESSO BOILER ASSY W/INSTANT ELECTROVALVES (763)**



ESPRESSO BOILER ASSY W/INSTANT ELECTROVALVES (763) - Items detail

Position	SPARE PARTS CODE VARIANT	Accessories	DESCRIPTION	For each main Item multiply q.ty by
1	43036520		BV952 MB EX 4 e.v. boiler assy	
2	25012146-02		ELECT.VALVE 2WAYS 24DC W/JOINT	
3	04031216		connection M/F	
4	32068416		4 MA X 40 ZNB screw	
5	32065416		4x12 screw	
6	19059411-01		new electrovalve block spacer	
7	25019416-01		24V DC 3EV block two-ways elec	
100	See Table "COMPONENTI CALDAIA (922)" - Pag. 198			

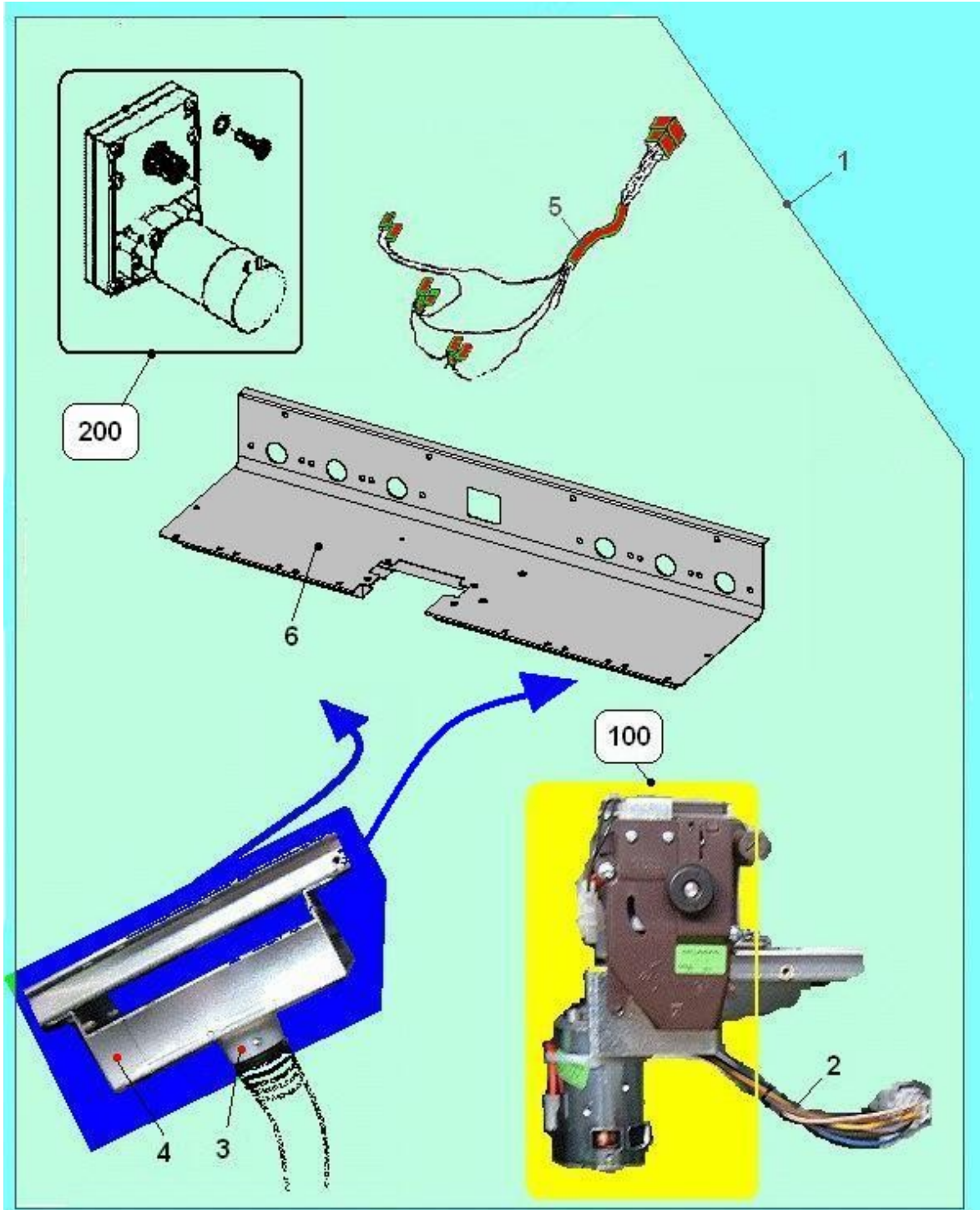
Table: BVM 952 DRAWER ASSY (760)



BVM 952 DRAWER ASSY (760) - Items detail

Position	SPARE PARTS CODE VARIANT	Accessories	DESCRIPTION	For each main item multiply q.ty by
1	96067350-02		C/O CASSETTO BVM 952 MC	
2	05117415M37		DOUBLE DROP COLLECTION TRAY BR	
3	01831422-02		ASS.LAMIERA CASSETTO BVM97/952	
4	05238516		PLASTIC HANDLE SOUTHCO BV971	
5	05116416		vega drawer wheel	
6	12016116		drawer wheel pin	
7	22178412		BV971 IVS PROBE WIRING	
8	22177912-01		Drawers block cable BV970 IVS	
100	See Table "POMPA ACQUA - RILEVATORE DI FLUSSO (907)" - Pag. 196			
200	See Table "PLASTIC COFFEE GROUP(1)" - Pag. 4			
300	See Table "MIXERS COMPONENTS (762)" - Pag. 202			
400	See Table "ESPRESSO BOILER ASSY W/INSTANT ELECTROVALVES (763)" - Pag. 14			
500	See Table "COFFEE GROUP GEARMOTOR (483)" - Pag. 8			
600	See Table "PISTON ASSEMBLY(761)" - Pag. 12			

Table: GRINDER + DOSER ASSY SUPPORT - PRODUCT CANISTERS
GEARMOTORS (765)



GRIINDER + DOSER ASSY SUPPORT - PRODUCT CANISTERS GEARMOTORS (765) - Items detail

Position	SPARE PARTS CODE VARIANT	Accessories	DESCRIPTION	For each main Item multiply q.ty by
1	96067230		BV952 E4S grinder/box supp.as.	
2	22171512-01		CABLAGGIO MACINADOSAT. BVM	
3	05071915		aspiration pipe connection	
4	01829011-01		SUPP.SCAT.ASPIRAZ.BV971 IVS	
5	22183512		BVM952 EX gearmotor cable	
6	01829111-01		BV971 product box supp. plate	
100	See Table "COFFEE GRINDER - DOSER (404)" - Pag. 6			
200	See Table "MOTORS (401)" - Pag. 21			

Tables of group :

-  **Coffee Machines**
-  **BVM 952 - Free Standing**
-  **BV952ES01GG - BVM952 E4S MC PD**
-  **INSTANT ASSEMBLY**

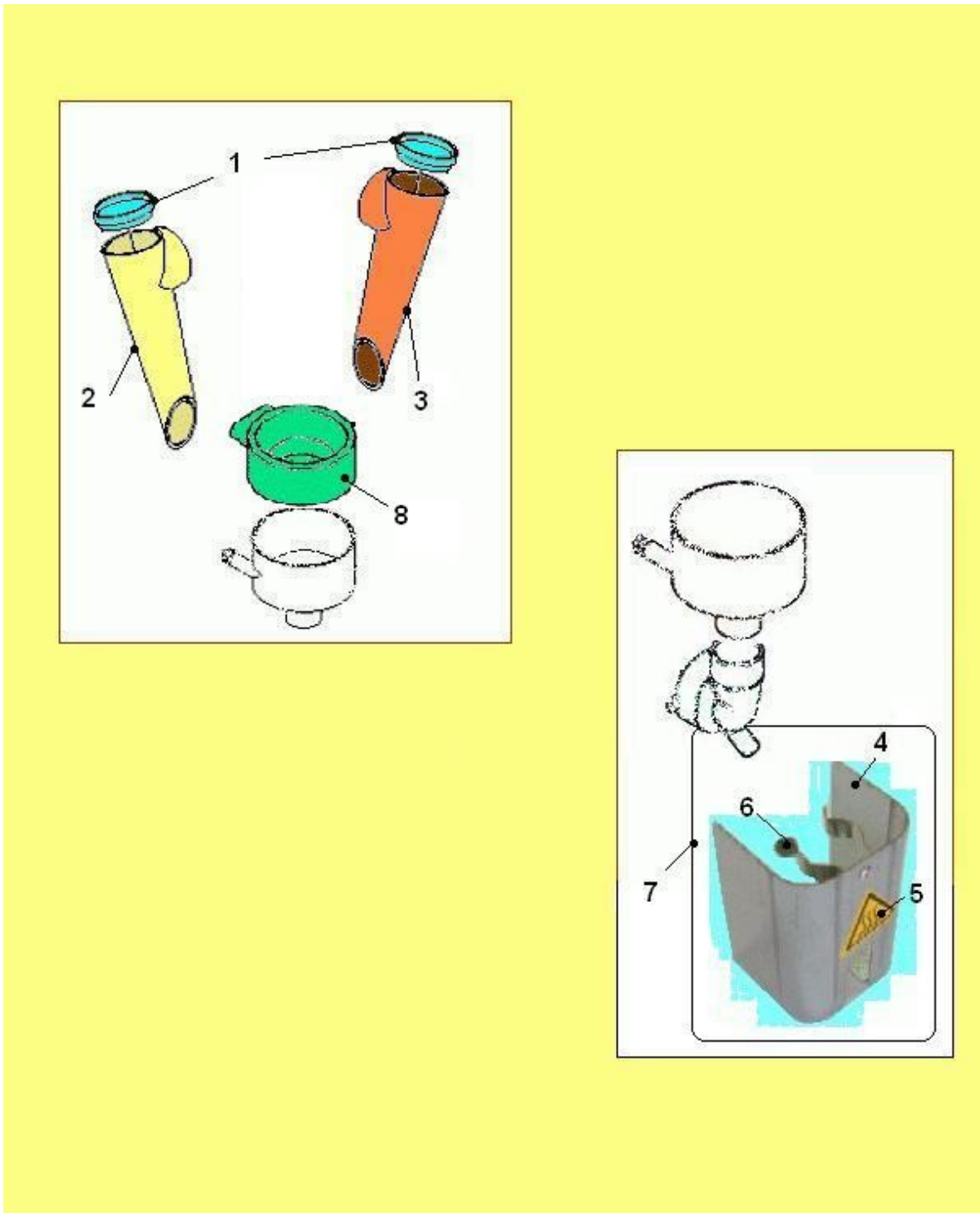
Table: MOTORS (401)



MOTORS (401) - Items detail

Position	SPARE PARTS CODE VARIANT	Accessories	DESCRIPTION	For each main Item multiply q.ty by
1	20016916-02		MOT.24VDC 40G/M wout/CABL.PLS	
2	20017016-02		100 rpm 24V DC gearmotor w/o c	
4	35160516		6.2 self-locking washer	
5	32130616		6Mx16 screw	

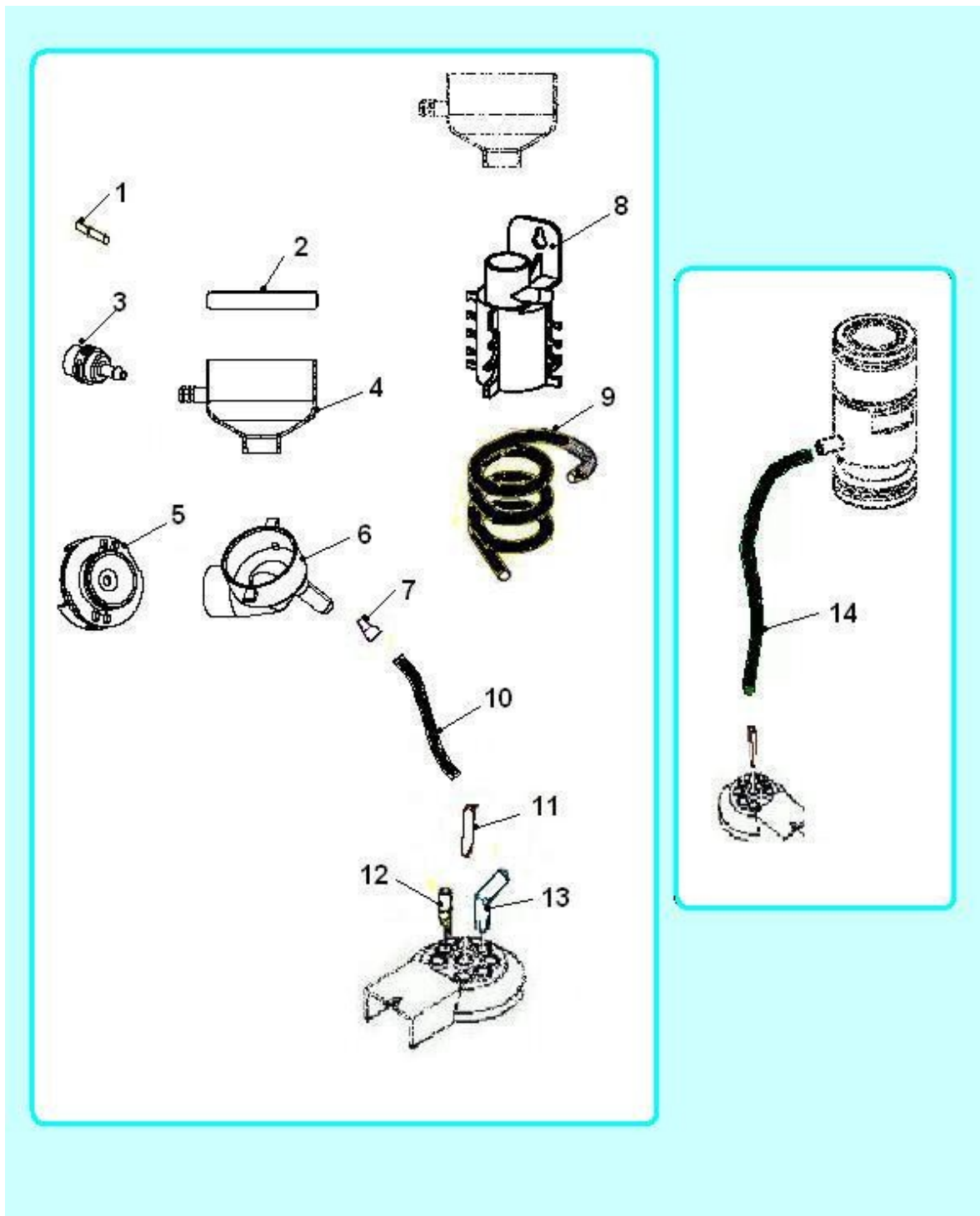
Table: SUPPLEMENT PARTS (772)



SUPPLEMENT PARTS (772) - Items detail

Position	SPARE PARTS CODE VARIANT	Accessories	DESCRIPTION	For each main Item multiply q.ty by
1	05160415-01M37		powder funnel cap brown	
2	05160665		brown left powder funnel l=101	
3	05160655		brown right powder funnel l=10	
4	01833311-01		Heated bowl cover	
5	30069411-01		temperat.safety sticker	
6	23036116		hook with screw and nut	
7	01833512		Heated bowl cover assy	
8	05113825		brown mixing bowl cover	

Table: COMPONENTI EROGAZ. CON ANTIMICROBICO (811)



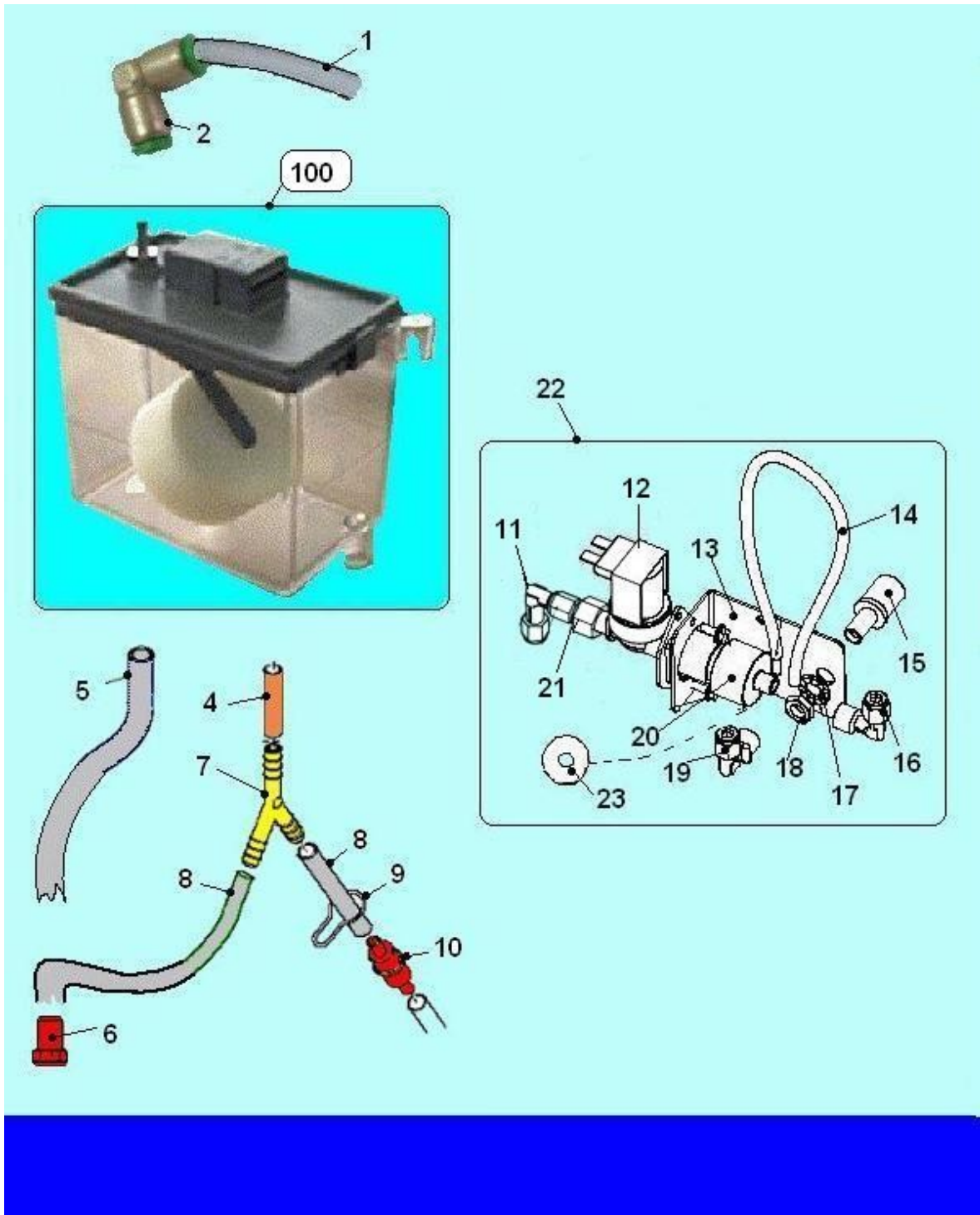
COMPONENTI EROGAZ. CON ANTIMICROBICO (811) - Items detail

Position	SPARE PARTS CODE VARIANT	Accessories	DESCRIPTION	For each main item multiply q.ty by
1	05122415M57		RIDUTT. PORTATA LATTE AM	
2	05132415M57		COLLARE COPP.MISC. NERO AM	
3	05132515M57		black r. holder connec.for 3,5	
4	05113745M57		mixing bowl L= 10 black am	
5	05243112M57		chamber support flange assy	
6	05111615M57		mixer chamber black AM	
7	05102215M57		RIDUT.CAM-MISCELAZ. NERO AM	
8	05141815-01M57		SUPP.SERPENT.THE PLS NERO AM	
9	09087823M57		5x9 silicon pipe black am	
10	09087823M57		5x9 silicon pipe black am	
11	05099715-01M57		UGELLO CAPILLARE L= 48 AM	
12	05096025M57		BECC.EROGAZ.DIRIT.SMUS.NERO AM	
13	05089815-02M57		AM elbow dispensing nozzle	
14	09087873M57		black am 3x6 silicon pipe	

Tables of group :

-  **Coffee Machines**
-  **BVM 952 - Free Standing**
-  **BV952ES01GG - BVM952 E4S MC PD**
-  **HYDRAULIC COMPONENTS**

Table: INLET WATER (767)



INLET WATER (767) - Items detail

Position	SPARE PARTS CODE VARIANT	Accessories	DESCRIPTION	For each main item multiply q.ty by
1	09085423		4x6 teflon pipe	
2	04041416		quick-release connection D=6	
4	09087843-01		7x11 brown silicone pipe	
6	05036515		drain tube plug	
7	05240015M00		3ways connector 9mm ext.	
8	09029763		5x9 transparent silicone pipe	
9	07010711		clapper	
10	16014316		water filter	
11	04033236		turning elbow connection	
12	25000146		inlet water electrovalve 24v d	
13	01525121-01		Brita e.v. support plate	
14	09085423		4x6 teflon pipe	
15	04040716		1/8 - 3/8 straight connection	
16	04036816		elbow connection	
17	35160716		washer	
18	04014131		hexagonal nut 1/8GAS	
19	04036816		elbow connection	
20	04000131		3/4 GF 1/8 GM connection	
21	04035526		connection	
22	25032560-01		ASS. SUP. E-VALV. BVM MC/DC	
23	05111016		Ø 25,5 silicone plain gasket	
100	See Table "AIR BREAK ASSY W/MICRO SW (784)" - Pag. 192			

Table: CIRCUITO IDRAULICO CON ANTIMICROBICO (813)



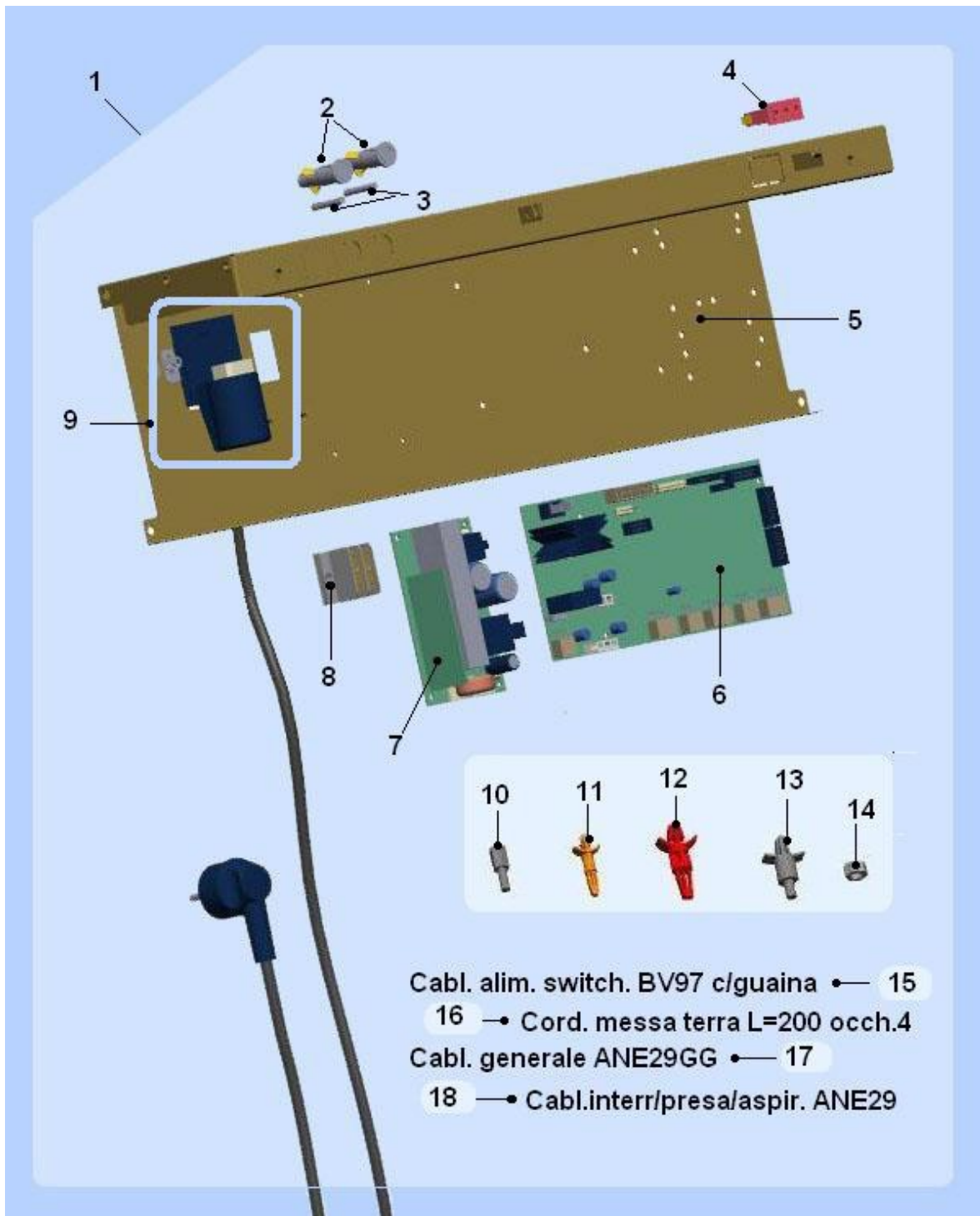
CIRCUITO IDRAULICO CON ANTIMICROBICO (813) - Items detail

Position	SPARE PARTS CODE VARIANT	Accessories	DESCRIPTION	For each main Item multiply q.ty by
1	09040021		8x12 silicone transp.pipe	
2	09038361		6x9 silicone transp.pipe	
3	09087823M57		5x9 silicon pipe black am	

Tables of group :

-  **Coffee Machines**
-  **BVM 952 - Free Standing**
-  **BV952ES01GG - BVM952 E4S MC PD**
-  **ELECTRICS & ELECTRONICS**

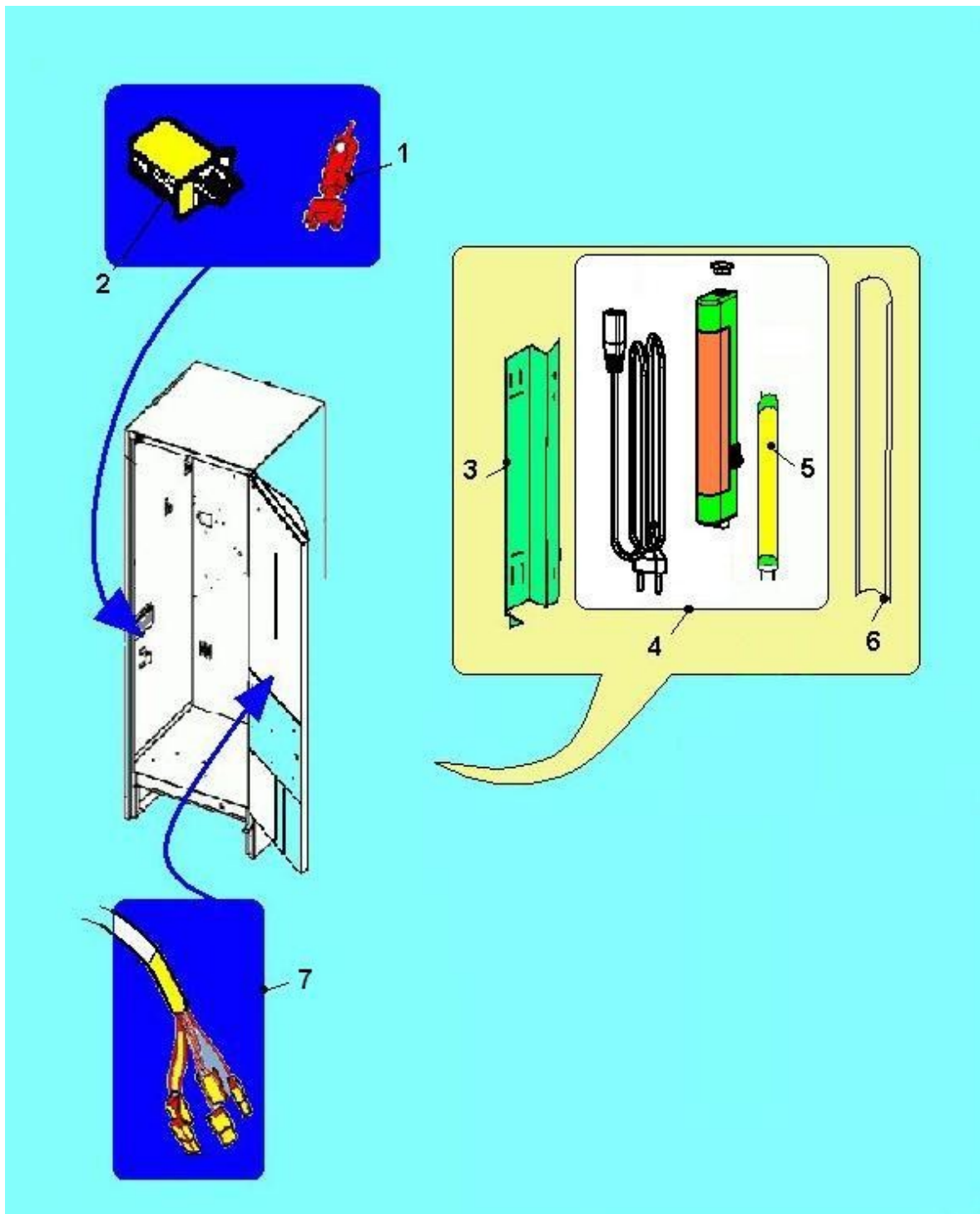
Table: ELECTRIC PANEL (759)



ELECTRIC PANEL (759) - Items detail

Position	SPARE PARTS CODE VARIANT	Accessories	DESCRIPTION	For each main Item multiply q.ty by
1	94033910-02		ASS.SCATOLA ELETTRICA BV952 MC	
2	23017316		6.3x32 snap-type fuse holder	
3	23014916		10 Amp. fuse	
4	23014416		socket 2P+G	
5	01852212-03		ASS.LAM.SCAT.ELETTR.BV952C/INS	
6	26048416-01		Blue SMT micro256K POWER board	
7	26048316		switch powersup230/110Vac-24Vd	
8	23038816		BVM plugs assy	
9	26026326		net filter quick connection wi	
10	33071926		DISTANZIALI METALLO M/F M3 L.	
11	33072046		DISTANZIALI PLS M/F M3 L. 7,9	
12	05195216		board spacer	
13	33065526		L=10 card spacer	
14	33065726		4M nut for board spacer	
15	22177512-01		BV97pow.sup.swit.cable w/shear.	
16	22043022		GROUND WIRING L=200	
17	22189612		CABL. GENERALE ANE29GG	
18	22189712		CABL. INTERR/PRESA/ASPIR.ANE29	

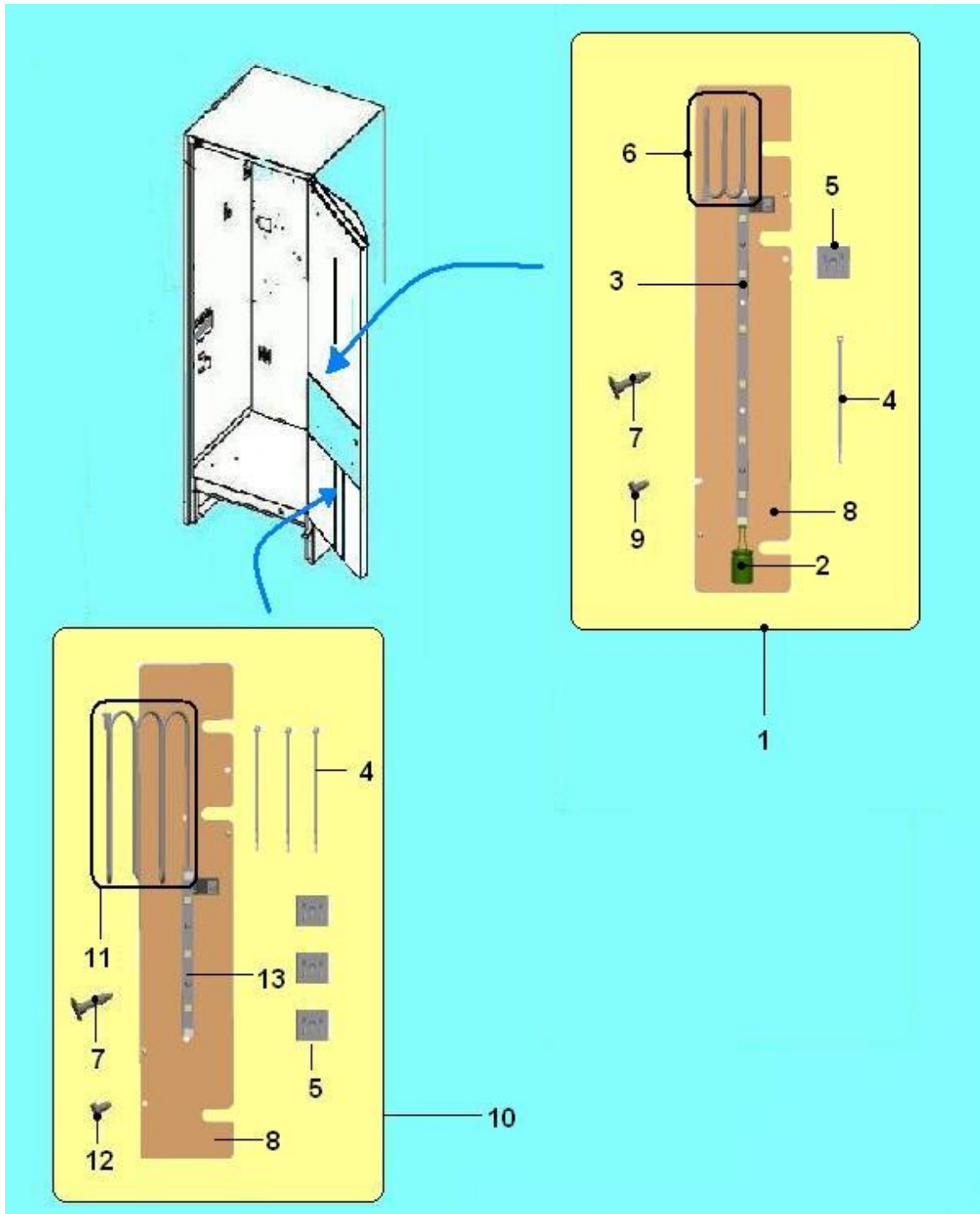
Table: NEON AND ELECTRICAL PARTS (781)



NEON AND ELECTRICAL PARTS (781) - Items detail

Position	SPARE PARTS CODE VARIANT	Accessories	DESCRIPTION	For each main Item multiply q.ty by
1	05097215-02M09		Service key XT Clixon black am	
2	26016726		safety switch	
3	01812311		omega upper neon BVM951	
4	23039126-01		Neon lamp F.A.230V 8W LNK4100	
5	41081626		Neon kit for lamp 8W	
6	05115056		BVM951 lamp L.370 carter	
7	22177812-01		BV970 IVS door wiring	

Table: KIT RETROFIT LED (851)



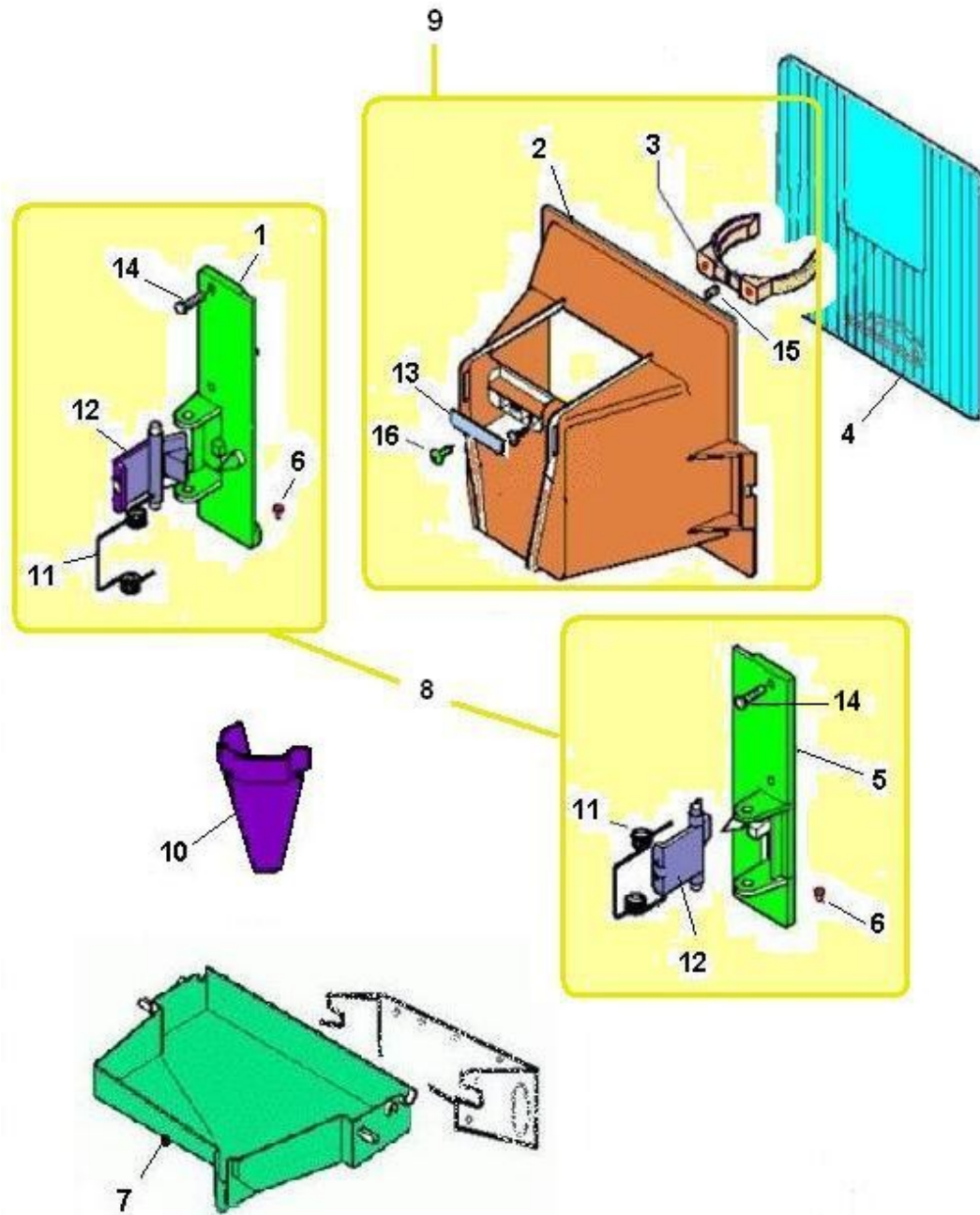
KIT RETROFIT LED (851) - Items detail

Position	SPARE PARTS CODE VARIANT	Accessories	DESCRIPTION	For each main Item multiply q.ty by
1	41088130		KIT RETROFIT LED SUP. BV952	
2	26055916		CONDENSATORE 220UF	
3	26055416		BARRA 6 LED 260MM 24VDC	
4	23012116		plastic strip 98mm	
5	05199516		adhesive base	
6	22190616-01		CAVO ALIMENT.BARRA LED C/DIODO	
7	33066316		card spacer	
8	01917911		BV952 led kit retrofit plate	
9	32222756		3.9x9.5 self-tapping screw	
10	41088140		KIT RETROFIT LED INF.BV952/972	
11	22190516		PROLUNGA BARRE LED	
12	32222756		3.9x9.5 self-tapping screw	
13	26055516		BARRA 3 LED 130MM 24VDC	

Tables of group :

-  **Coffee Machines**
-  **BVM 952 - Free Standing**
-  **BV952ES01GG - BVM952 E4S MC PD**
-  **PRODUCT DELIVERY**

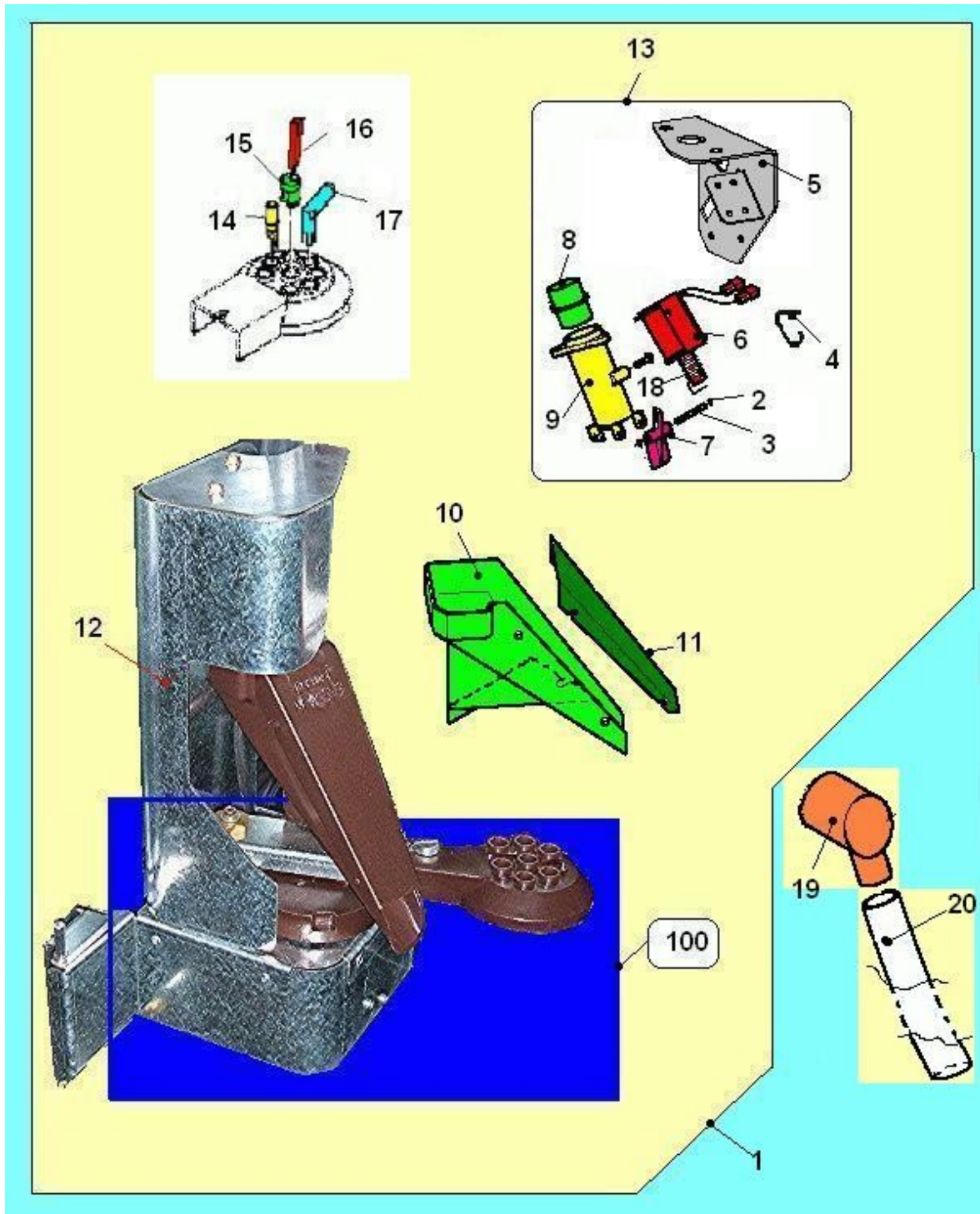
Table: CUP STATION (88)



CUP STATION (88) - Items detail

Position	SPARE PARTS CODE VARIANT	Accessories	DESCRIPTION	For each main item multiply q.ty by
1	05103425		left cup station support blac	
2	05103225		black cup station	
3	05000315M09		black cup fork	
4	05103615		cup station door	
5	05103325		black cup station lever suppor	
6	05099116		blow-hole rubber cap	
7	05103715-01M37		drops collection tray brown	
8	43127110		ASS.SUPP.VANO EROG.DX+ SX	
9	05108320		black cup station	
10	05103815-01		dispensing chamber funnel	
11	07017311		catch lever spring	
12	05103525		black cup station lock-lever	
13	05134415		delivery area plate	
14	32090516		TE5MAX16 screw	
15	32110416		5MAx10 hexagonal socket gr	
16	32008726		spec.m5x15 tc screw	

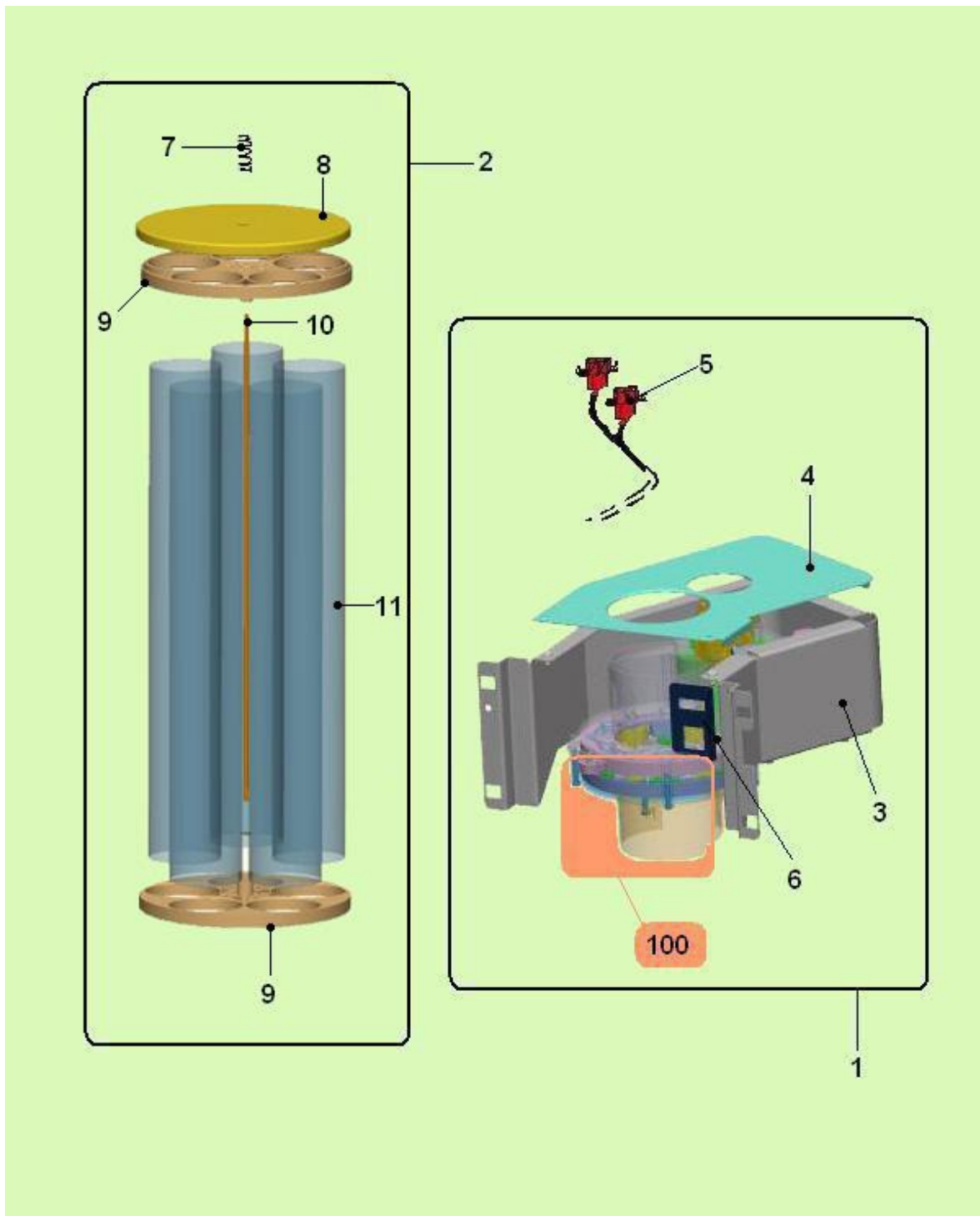
Table: SUGAR NOZZLES SUPPORT ASSY (766)



SUGAR NOZZLES SUPPORT ASSY (766) - Items detail

Position	SPARE PARTS CODE VARIANT	Accessories	DESCRIPTION	For each main Item multiply q.ty by
1	96067460		BV972 sugar nozzle supp.assy	
2	37000816		seeger ring	
3	00110823		lever's fulcrum pin	
4	00110824		electromagnet ring	
5	01519622		Antares sugar flange supp.assy	
6	20008946		24V DC 15% magnet	
7	05123715		doser lever with hole	
8	05096215		sugar pipe connection	
9	05104715-02M37		Sugar supply brown flange	
10	05137925		antares brown sugar slide	
11	05138025		brown sugar slide cover	
12	01831552		BVM952/972 nozzle support assy	
13	96032820		Ant.sugar supply support assy	
14	05096035		brown straight dispensing nozz	
15	05099615		nozzle bush	
16	05099715-01		L=48 nozzle	
17	05089825		brown elbow dispensing nozzle	
18	07016911		sugar doser spring	
19	05123015M37		BROWN SUGAR NOZZLE	
20	09027653		20x26 PVC pipe	
100	See Table "NOZZLES SUPPORT PARTS (603)" - Pag. 78			

Table: CUPS TURRET ASSY AND CUPS DISPENSER (769)



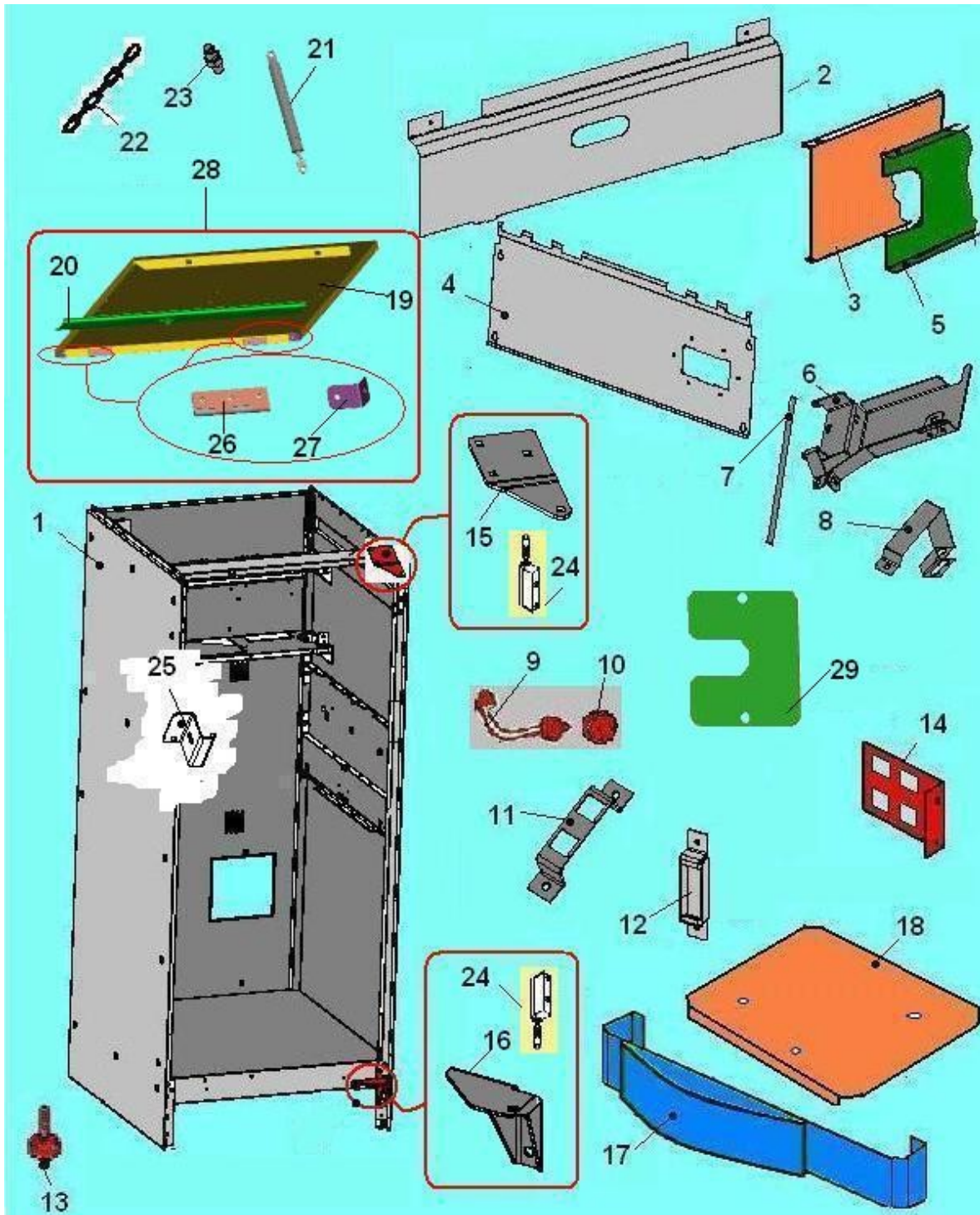
CUPS TURRET ASSY AND CUPS DISPENSER (769) - Items detail

Position	SPARE PARTS CODE VARIANT	Accessories	DESCRIPTION	For each main item multiply q.ty by
1	28011130-02		BV971 cup disp.assy	
2	28006940		cups turret assembly ant.	
3	01826631-02		TELAIO SGANCIATORE BICCHIERI	
4	01826731-02		BV971 IVS cup dispenser cover	
5	22178612		BV970IVS cup dispenser wiring	
6	01826811		Cup dispenser connector plate	
7	07020711		spring	
8	05146115M37		Brown cups turret cover	
9	05135615M37		cup dispenser disk brown	
10	19059321		Antares cups turret brace	
11	09094121		75x77 PVC transp.pipe	
100	See Table "CUPS DISPENSER PARTS (628)" - Pag. 80			

Tables of group :

-  **Coffee Machines**
-  **BVM 952 - Free Standing**
-  **BV952ES01GG - BVM952 E4S MC PD**
-  **CABINET**

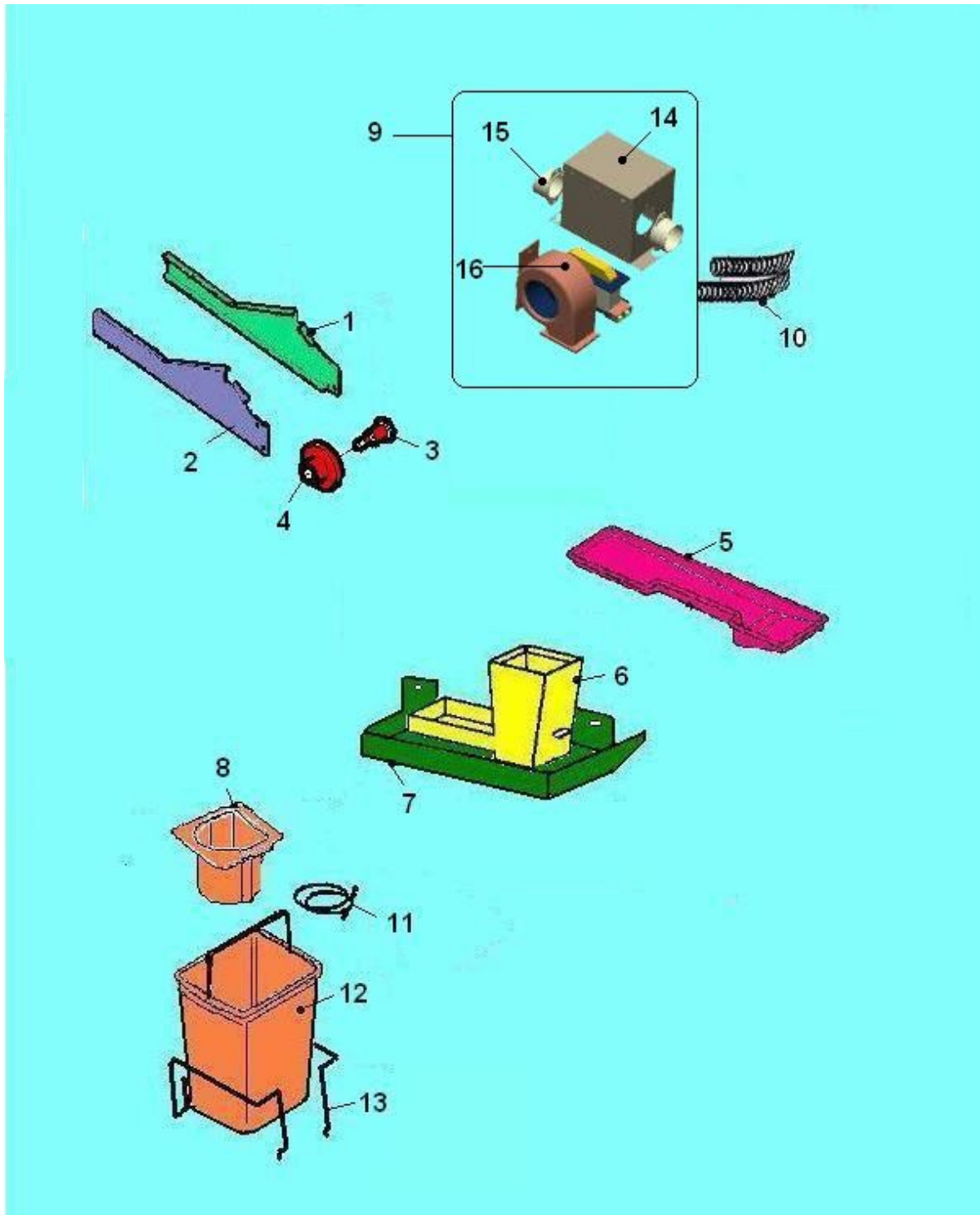
Table: CABINET AND PARTS (771)



CABINET AND PARTS (771) - Items detail

Position	SPARE PARTS CODE VARIANT	Accessories	DESCRIPTION	For each main Item multiply q.ty by
1	01852322P48		BVM952 graphite cabinet assy	
2	01854111-02		COPERT.SCAT. ELETTRICA BV952	
3	01834211-01		Drawer support left cover	
4	01854211-03		COPERT.POSTERIORE BV952 ES	
5	01828211-01		COPERTURA DX SUPPORTO CASSETTO	
6	01835012-01		ASS.SUPP.ROTAZ.ZUCCH.UGELLI	
7	12017611		cup disp.rotation pin	
8	01834511-02		GUIDA x TUBI SCARICO	
9	26019482		service button	
10	05232315M18		red change giver button	
11	01641411		ANT-IMQ service button support	
12	01844011		Switch support	
13	21057212		foot.assy (m10x40) - -bvm971	
14	01828411-01		BV971 IVS connectors plate	
15	01864411		BV952 upper hinge sheet	
16	01823011-01		BVM971 IVS lower hinge	
17	01831112-01		BV971 IVS skirting board assy	
18	01841911P54		BV 971 IVS base protection	
19	01853221-01P48		BVM952 roof plate	
20	01834921		TRAVERSA RINFORZO TETTO BV952	
21	12047916		BV952 VAPSINT gas spring	
22	21015816		Chainlet assy	
23	19117016-01		BVM952 roof pin	
24	21011042		BV971 IVS hinge guide assy	
25	01828111-01		BV971 IVS lock hinge	
26	21057116		CERNIERA MOBILETTO BV921	
27	01922011		SQUADRETTA PER TETTO	
28	01853122-01P48		ASS. TETTO BVM 952	
29	01860311		BVM972 back cap	

Table: CABINET SUPPLEMENT PARTS (779)



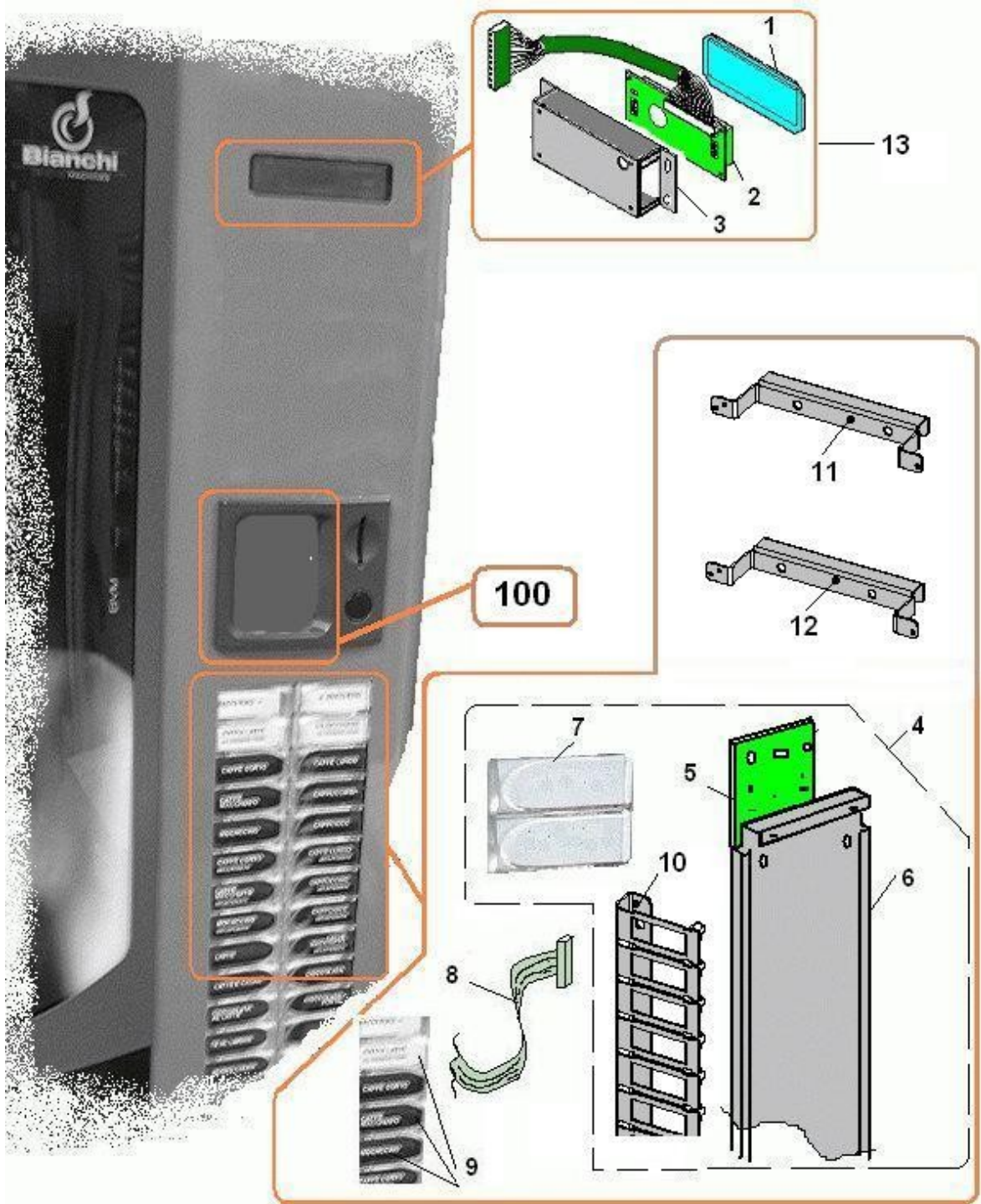
CABINET SUPPLEMENT PARTS (779) - Items detail

Position	SPARE PARTS CODE VARIANT	Accessories	DESCRIPTION	For each main Item multiply q.ty by
1	01816211		BV971 IVS right tilting guide	
2	01816311		BV971 IVS left tilting guide	
3	12016116		drawer wheel pin	
4	05116416		vega drawer wheel	
5	05245615M37		BV972 brown express/instant dr	
6	05157415		iris waste coffee convoyer	
7	01828511-01		waste coffee box sup BV971 IVS	
8	05168115		waist coffe bag spring	
9	01831310-01		BV971 IVS asspirator assy	
10	09031113		28x33 Leviflex pipe	
11	21056016		waste coffee bag spring	
12	05137316		bucket	
13	07034411-01		Bucket spring	
14	01828711-02		LAMIERA ASPIRATORE BV971 IVS	
15	05071915		aspiration pipe connection	
16	20006316-01		aspirator w/spacer (ant-sir-or	

Tables of group :

-  **Coffee Machines**
-  **BVM 952 - Free Standing**
-  **BV952ES01GG - BVM952 E4S MC PD**
-  **DOOR**

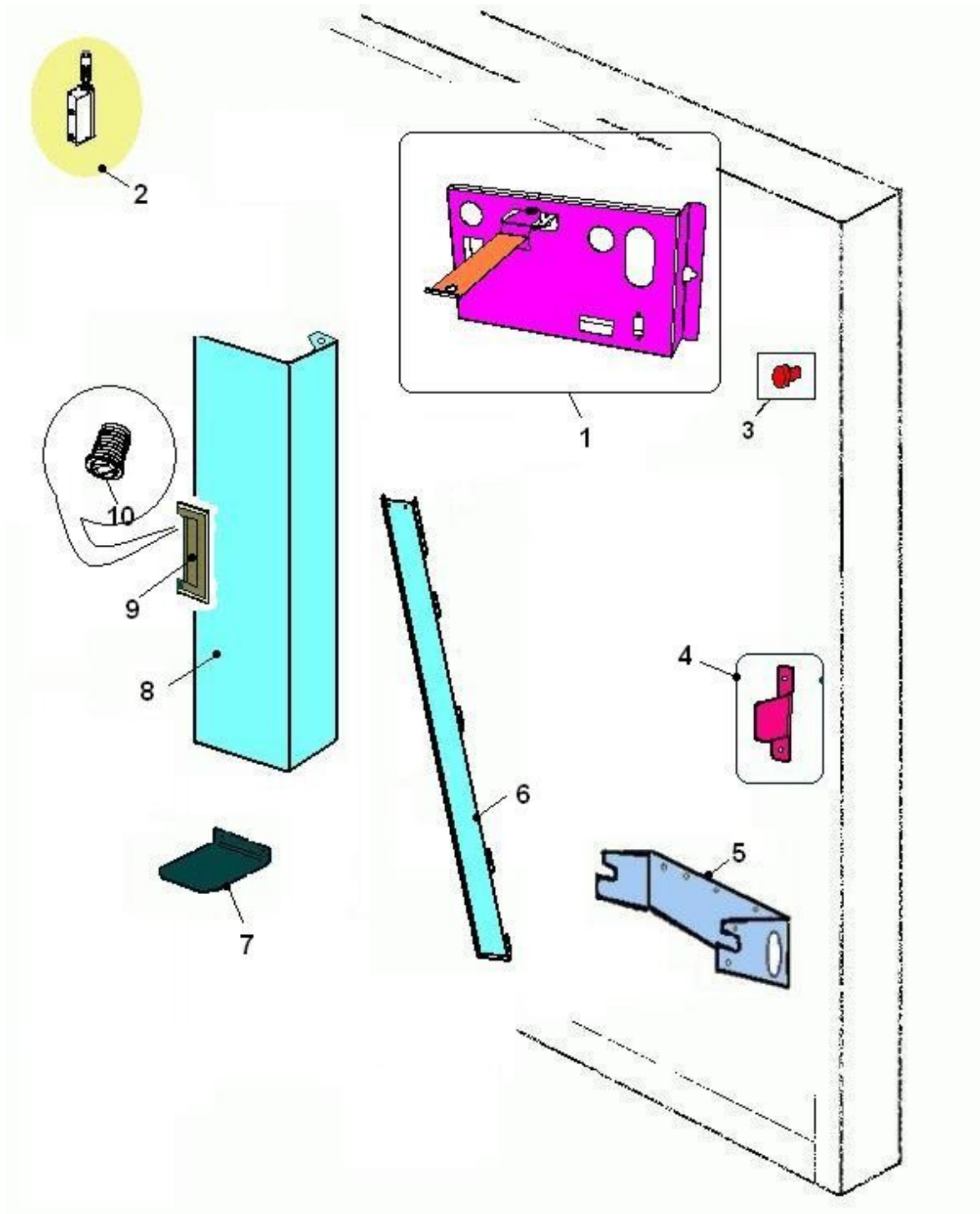
Table: KEYPAD - DISPLAY (777)



KEYPAD - DISPLAY (777) - Items detail

Position	SPARE PARTS CODE VARIANT	Accessories	DESCRIPTION	For each main Item multiply q.ty by
1	05232515M00		display transp.protection	
2	26047916		NEW DISPLAY 16X2	
3	01793011-01		Display support plate	
4	26048220		keypad assy (BVM951)	
5	26048016		BVM951/971 keypad board	
6	01795112		Keypad plate assy	
7	05232415M00		selection button	
8	22175422		16pins flat cable 900mm	
9	30262811		selection labels BVM951/971	
10	01793711		Buttons support plate	
11	01827011		BV9711VS upper keypad support	
12	01827111		BV9711VS lower keypad support	
13	01857210		ASS. DISPLAY BVM 95/97	
100	See Table "COINS INTRODUCTION (647)" - Pag. 86			

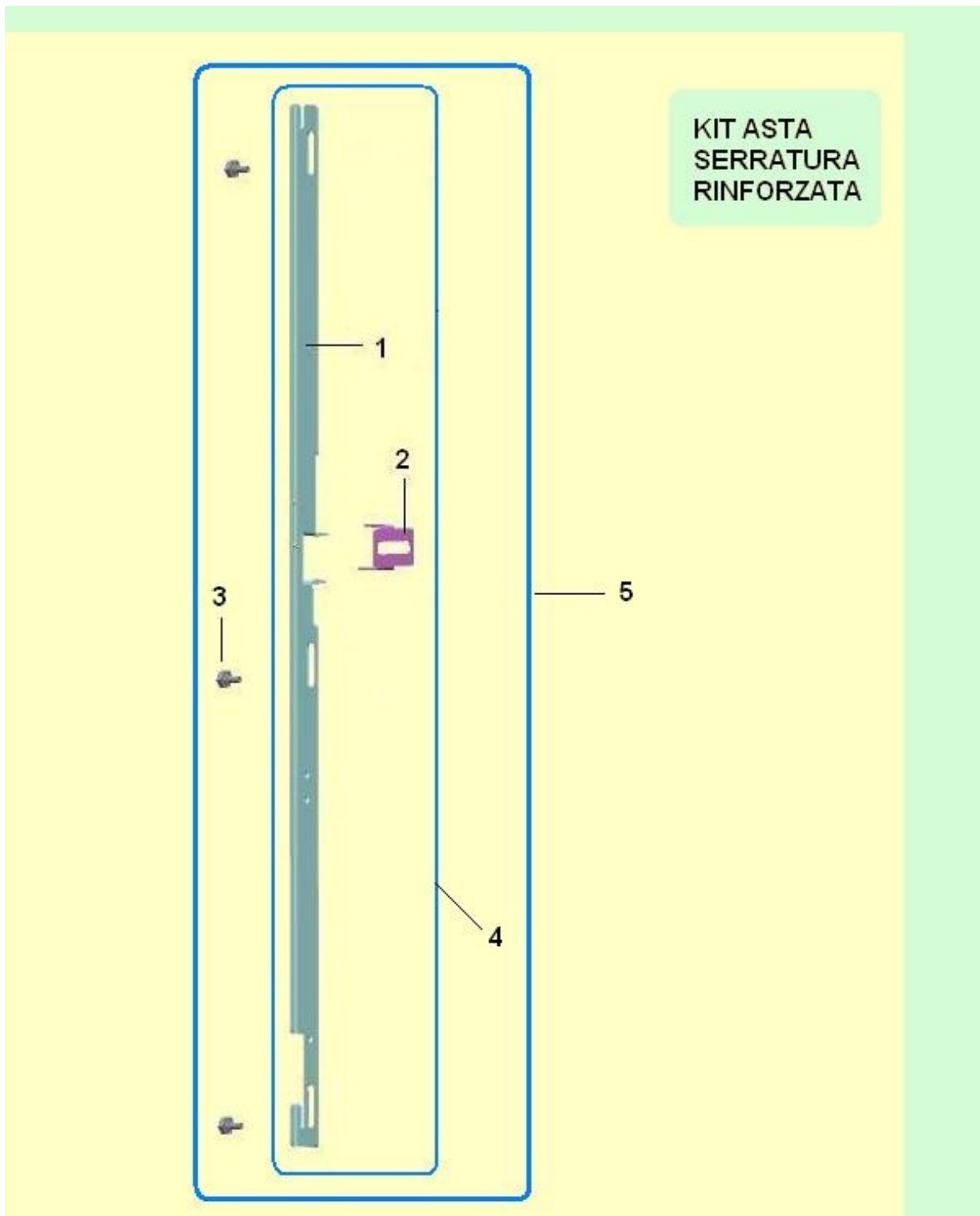
Table: DOOR INTERNAL COMPONENTS (780)



DOOR INTERNAL COMPONENTS (780) - Items detail

Position	SPARE PARTS CODE VARIANT	Accessories	DESCRIPTION	For each main Item multiply q.ty by
1	01813012-01		CPU board cover assy	
2	21011042		BV971 IVS hinge guide assy	
3	00104883		rubber buffer	
4	01827311-01		BV971 switch plate	
5	01452011-01		Dispensing chamber tanksupport	
6	01856011		BV952 pay system cover stirrup	
7	01826411-01		Payment system bottom protect.	
8	01856111-01		COPERTURA SISTEMA PAGAM.BV952	
9	05238516		PLASTIC HANDLE SOUTHCO BV971	
10	20022316		Cup container door round magne	

Table: **KIT ASTA SERRATURA RINFORZATA (910)**



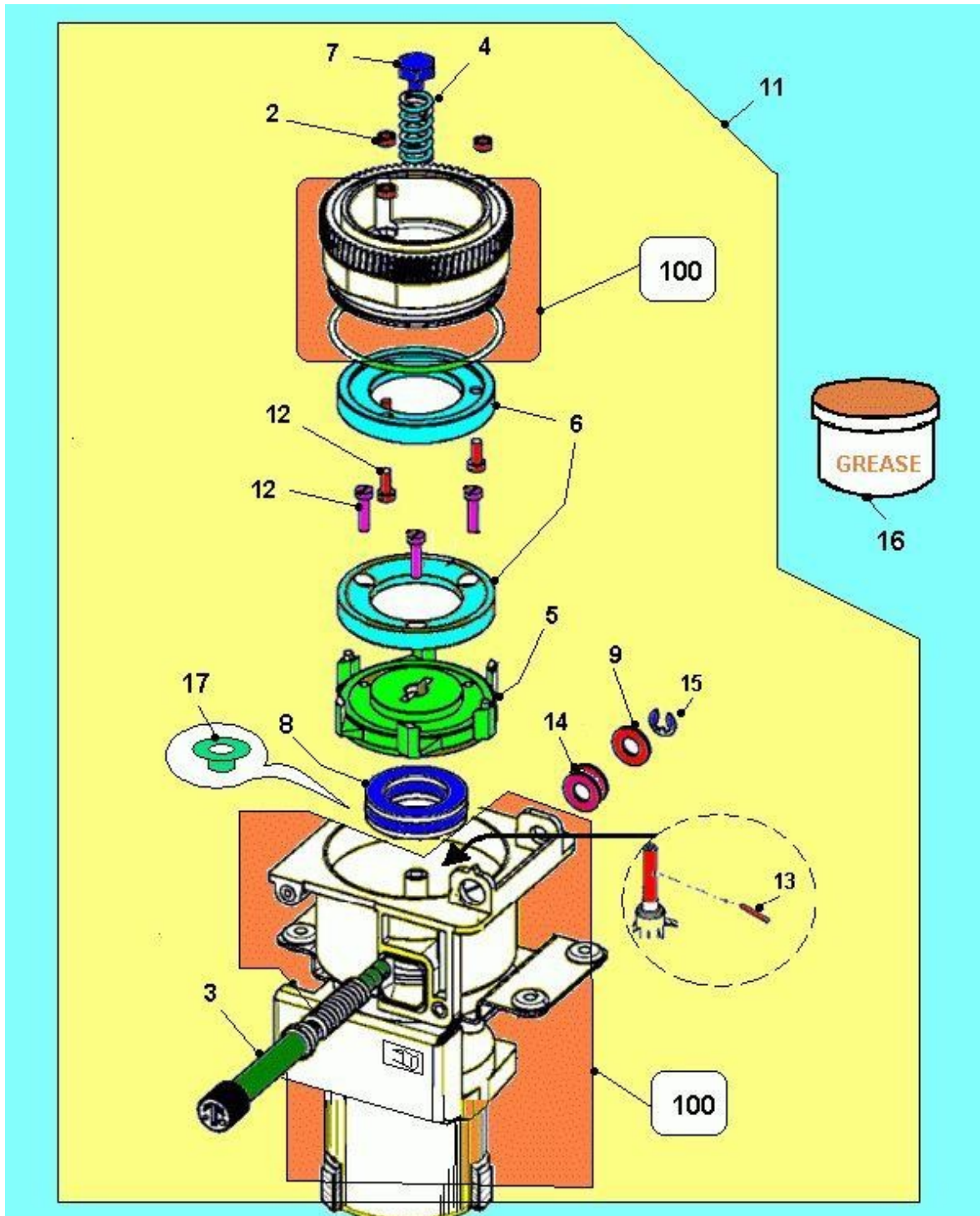
KIT ASTA SERRATURA RINFORZATA (910) - Items detail

Position	SPARE PARTS CODE VARIANT	Accessories	DESCRIPTION	For each main Item multiply q.ty by
1	01826131		door lock rod	
2	01826211-01		BV971 rod moving plate	
3	19055521		lock rod screw	
4	01857350		ASS. ASTA SERRATURA	
5	41088510		KIT ASTA SERRATURA RINFORZATA	

Tables of group :

-  **Coffee Machines**
-  **BVM 952 - Free Standing**
 -  **BV952ES03GG - BVM952 E5S MCPD**
 -  **ESPRESSO ASSEMBLY**

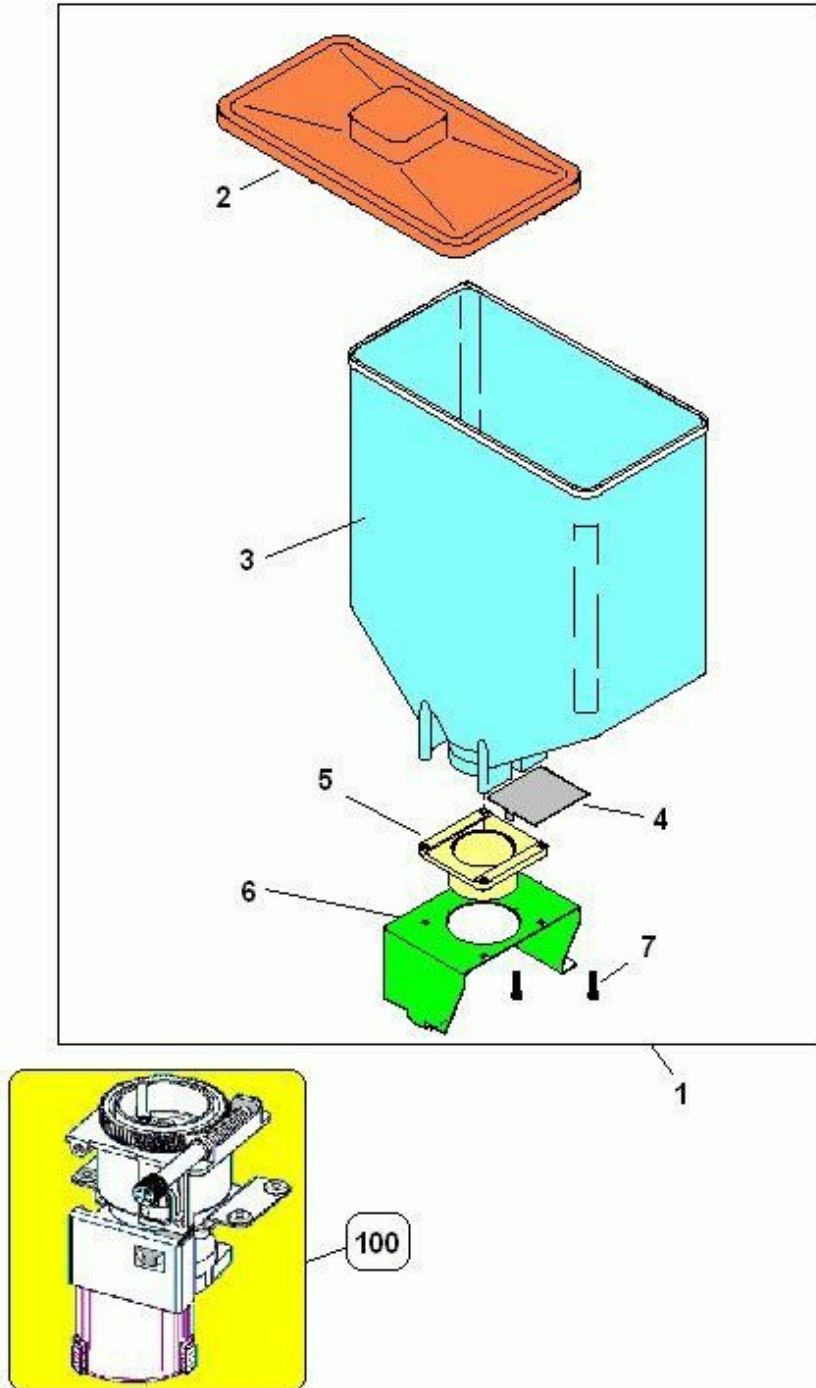
Table: GRINDER WITH VERTICAL MOTOR(29)



GRINDER WITH VERTICAL MOTOR(29) - Items detail

Position	SPARE PARTS CODE VARIANT	Accessories	DESCRIPTION	For each main Item multiply q.ty by
2	34102816		4MA hex nut	
3	05134715		grinder adjustment screw	
4	07020411		grinder holder spring	
5	13008211-02		PORTAMACINE MOBILE	
6	18007326		MACINA MACININO D. 64 12 DENTI	
7	19059021		screw for ametek spring	
8	19059216		bearing	
9	35155516		washer	
11	86001310-03		ASS.MACININO AMETEK 12 DENT.	
12	32060516		4MAx10 screw	
13	12017411		wire D30x30	
14	23004086		cable damper(6*15 - rubber)	
15	37001116		Ø 6 seeger ring	
16	43028311		40g food grease	
17	19060411		bush with washer	
100	See Table "VERTICAL GRINDER ASSEMBLY(30)" - Pag. 190			

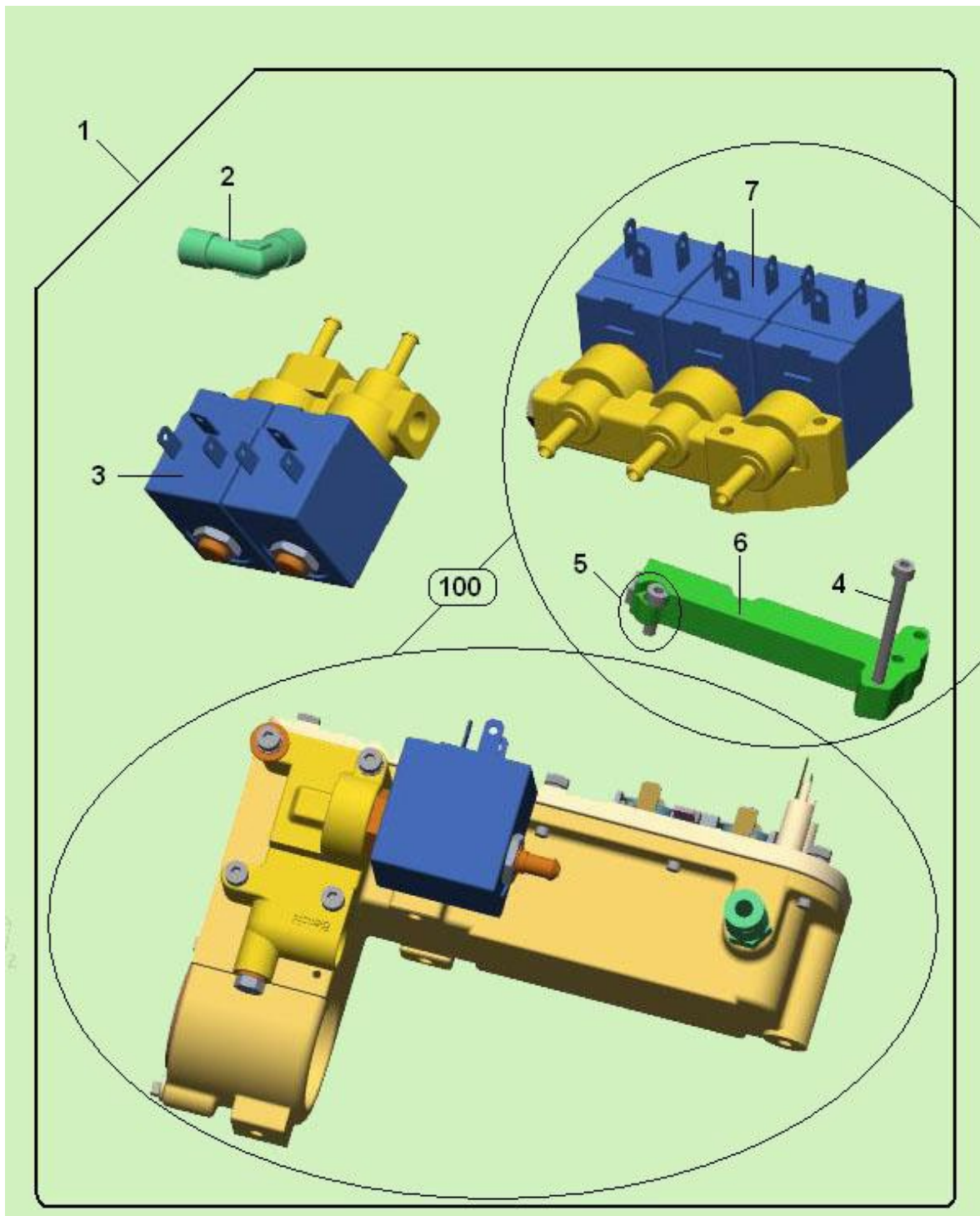
Table: COFFEE BEANS CONTAINER (768)



COFFEE BEANS CONTAINER (768) - Items detail

Position	SPARE PARTS CODE VARIANT	Accessories	DESCRIPTION	For each main item multiply q.ty by
1	05235310		3,5kg coffee canister assy	
2	05232815M37		3,5kg coffee canister cover	
3	05232715-01M16		3,5kg coffee canister	
4	01228311		waste coffee bulkhead	
5	00112050		flange for feedbox	
6	01782431		BV972/952ANE29 beans cont.supp	
7	32010736		4,0X20 UNI9707 tapping screw	

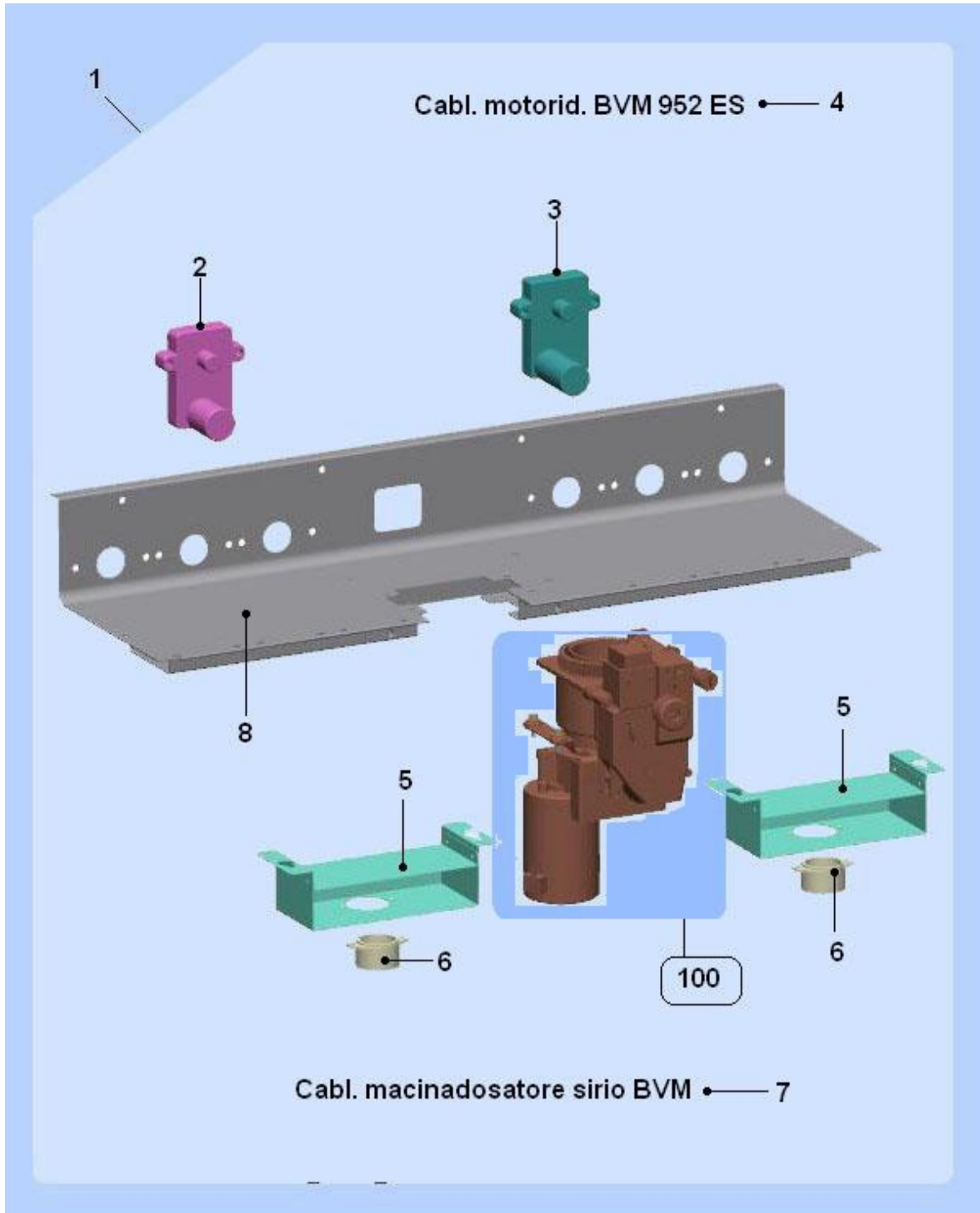
Table: ASS. CALDAIA ESPRESSO-SOLUBILE 5 EL-VALV. (921)



ASS. CALDAIA ESPRESSO-SOLUBILE 5 EL-VALV. (921) - Items detail

Position	SPARE PARTS CODE VARIANT	Accessories	DESCRIPTION	For each main Item multiply q.ty by
1	43036510		BV971 SB 5el-val. boiler assy	
2	04034616		turning elbow connection	
3	25021426		2 ways 24V DC 2el-valves assy	
4	32068416		4 MA X 40 ZNB screw	
5	32065416		4x12 screw	
6	19059411-01		new electrovalve block spacer	
7	25019416-01		24V DC 3EV block two-ways elec	
100	See Table "COMPONENTI CALDAIA (922)" - Pag. 198			

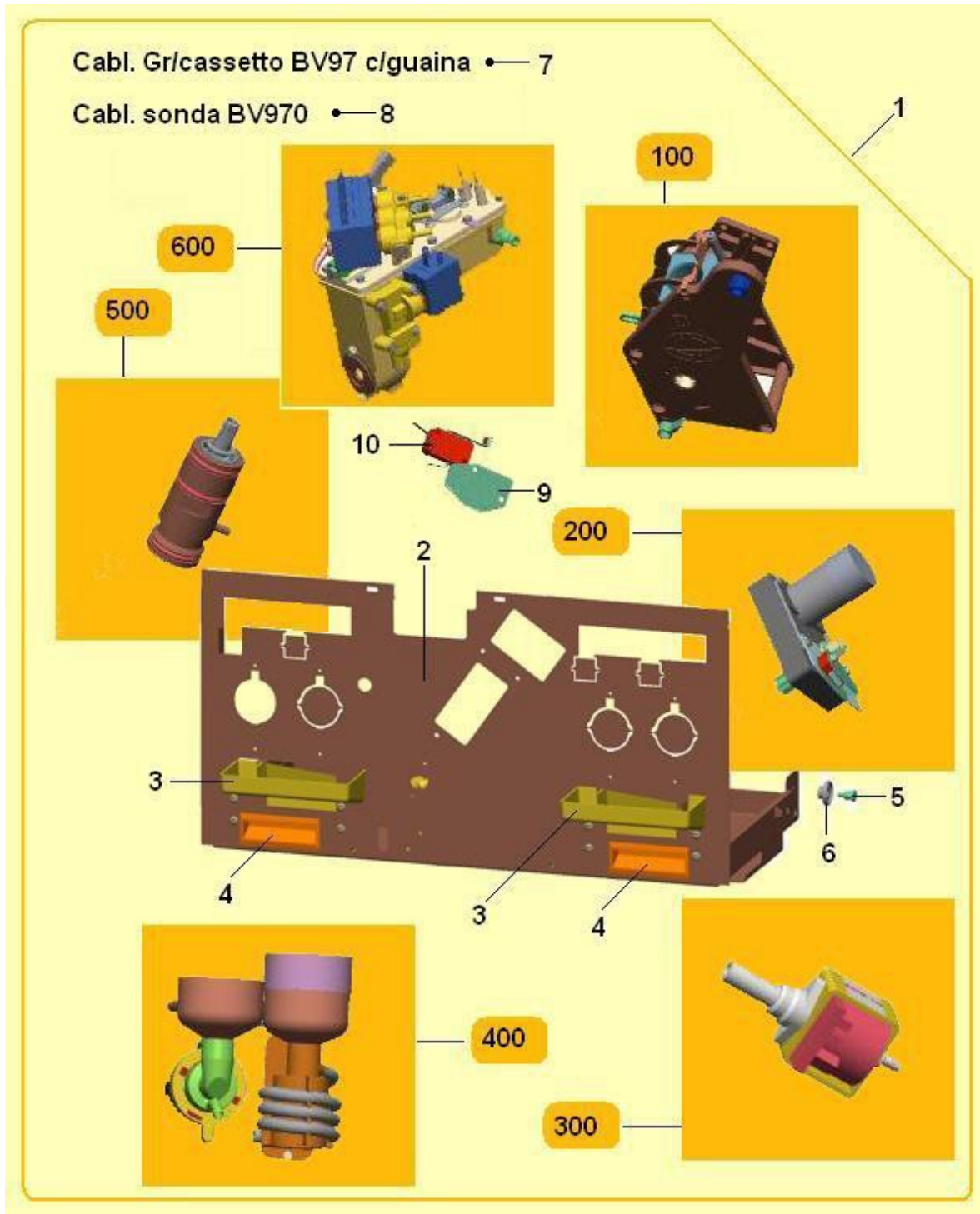
Table: C/O SUPP. MACINADOS. MOTORI DUTTORI SCAT. DOSATRICI (934)



C/O SUPP. MACINADOS. MOTORI DUTTORI SCAT. DOSATRICI (934) - Items detail

Position	SPARE PARTS CODE VARIANT	Accessories	DESCRIPTION	For each main Item multiply q.ty by
1	96067280		C/O SUPP.SCAT/MAC.MC BV952 E5S	
2	20016916-02		MOT.24VDC 40G/M wout/CABL.PLS	
3	20017016-02		100 rpm 24V DC gearmotor w/o c	
4	22183512		BVM952 EX gearmotor cable	
5	01829011-01		SUPP.SCAT.ASPIRAZ.BV971 IVS	
6	05071915		aspiration pipe connection	
7	22171512-01		CABLAGGIO MACINADOSAT. BVM	
8	01829111-01		BV971 product box supp. plate	
100	See Table "COFFEE GRINDER - DOSER (404)" - Pag. 6			

Table: C/O CASSETTO BVM 972/952 MC (992)



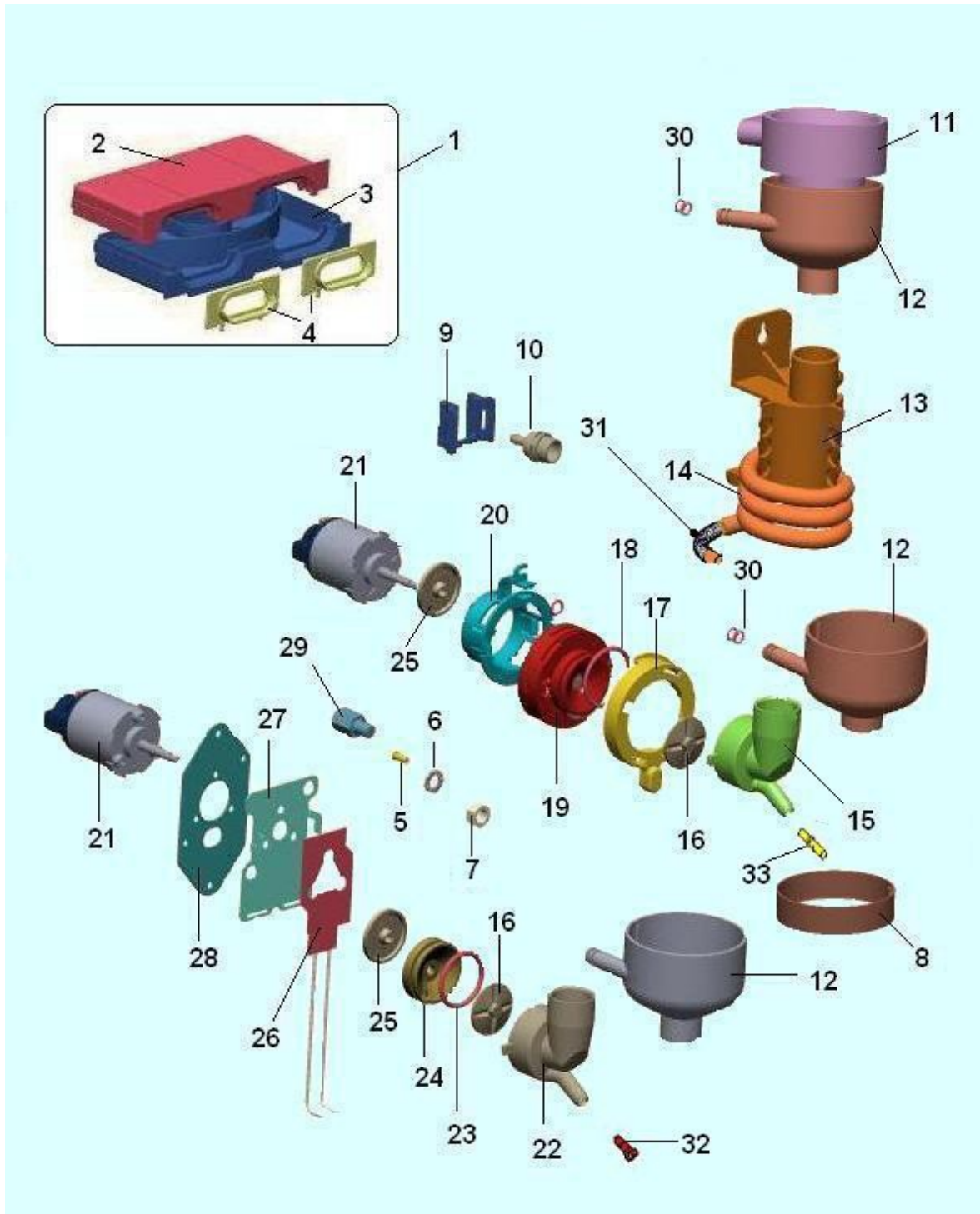
C/O CASSETTO BVM 972/952 MC (992) - Items detail

Position	SPARE PARTS CODE VARIANT	Accessories	DESCRIPTION	For each main item multiply q.ty by
1	96067330		BVM972 MB drawer assy	
2	01831422-02		ASS.LAMIERA CASSETTO BVM97/952	
3	05117415M37		DOUBLE DROP COLLECTION TRAY BR	
4	05238516		PLASTIC HANDLE SOUTHCO BV971	
5	12016116		drawer wheel pin	
6	05116416		vega drawer wheel	
7	22177912-02		BV97 drawer gr.cable w/sheath	
8	22178412		BV971 IVS PROBE WIRING	
9	08004111		microswitch insulation	
10	26005136		microswitch with wheel	
100	See Table	"PLASTIC COFFEE GROUP(1)" - Pag. 4		
200	See Table	"COFFEE GROUP GEARMOTOR (483)" - Pag. 8		
300	See Table	"WATER PUMP - FLOW SENSO (830)" - Pag. 74		
400	See Table	"COMPONENTI PER MISCELATORI x cassetto 96067330 (993)" - Pag. 71		
500	See Table	"PISTON ASSEMBLY (822)" - Pag. 136		
600	See Table	"ASS. CALDAIA ESPRESSO-SOLUBILE 5 EL-VALV. (921)" - Pag. 64		

Tables of group :

-  **Coffee Machines**
-  **BVM 952 - Free Standing**
 -  **BV952ES03GG - BVM952 E5S MCPD**
 -  **INSTANT ASSEMBLY**

Table: COMPONENTI PER MISCELATORI x cassetto 96067330 (993)



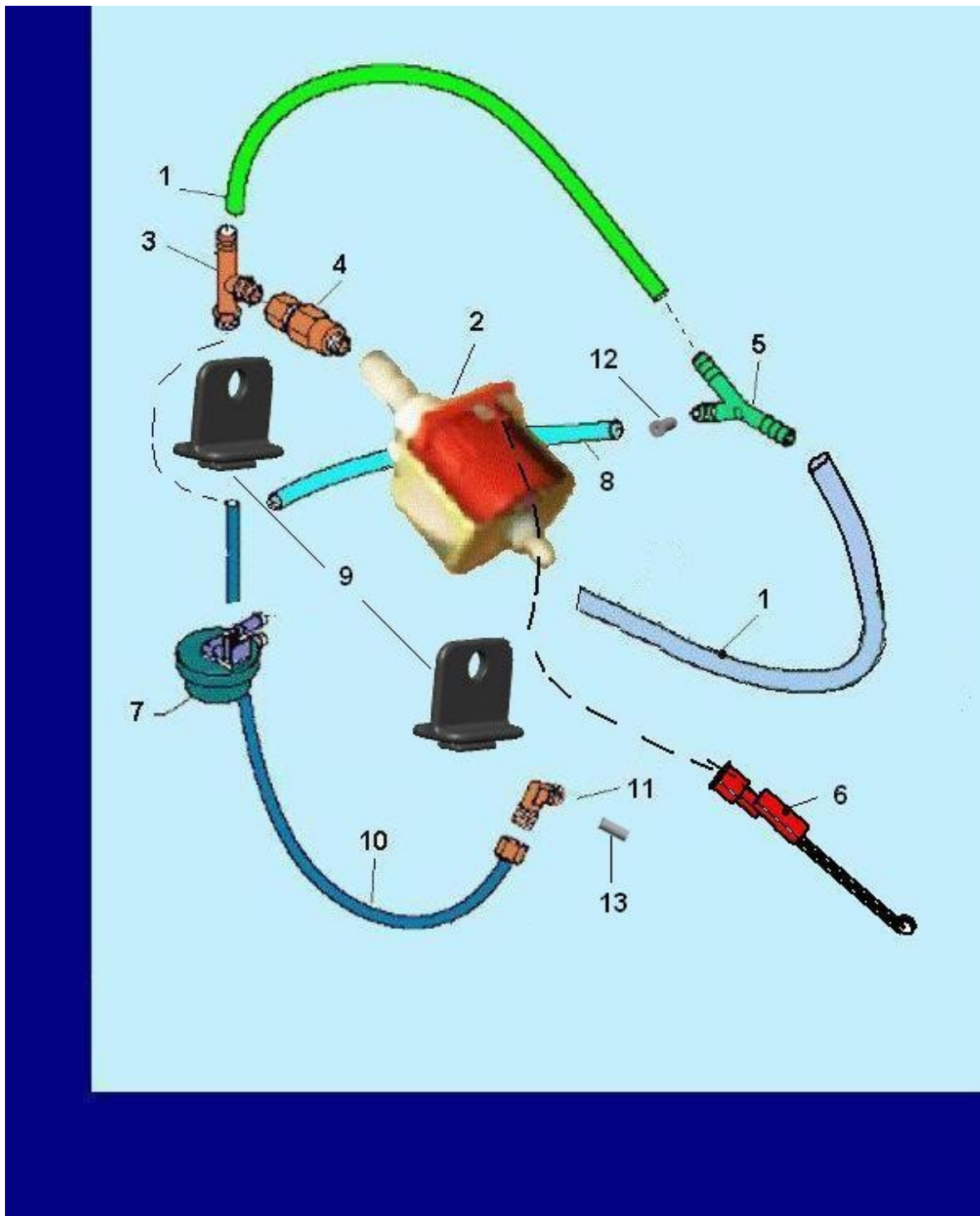
COMPONENTI PER MISCELATORI x cassetto 96067330 (993) - Items detail

Position	SPARE PARTS CODE VARIANT	Accessories	DESCRIPTION	For each main item multiply q.ty by
1	05169010		lower aspiration box	
2	05139725		upper aspiration box	
3	05139625		lower aspiration box pegIVS	
4	05117615		vapor aspiration box opening	
5	32238036		PRIG. M4X10 PEM ZN	
6	35160616		Ø 8.3 self-locking washer	
7	34103116		8MA hex nut	
8	05132415M57		COLLARE COPP.MISC. NERO AM	
9	05159025M37		rubber holder connection suppo	
10	05132515M57		black r. holder connec.for 3,5	
11	05113815M57		black mixing bowl cover	
12	05113745M57		mixing bowl L=10 black am	
13	05141815-01M57		SUPP.SERPENT.THE PLS NERO AM	
14	09087823M57		5x9 silicon pipe black am	
15	05111615M57		mixer chamber black AM	
16	05111825		mixer impeller	
17	05240915M37		Mixing room blocking flange	
18	36210716		OR 3131 gasket	
19	05243112M57		chamber support flange assy	
20	05241115-01M37		Motor support flange	
21	20020016-01		24VDC mixermotor screwed shaft	
22	05137615		verton mixer chamber	
23	36212516		O-Ring 29,74x2,95 viton	
24	19033441		mixer base	
25	05154015		mixer protection disk	
26	29004216		20W 24V heating element(heat.m	
27	01830711		Heated bowl support	
28	01830812		Heated bowl w/insert supp assy	
29	19056531-01		Spacer nut L=26,5	
30	36203816		OR 106 6,75/1,78 gasket	
31	07017711		tea serpent. spring	
32	05102215M57		RIDUT.CAM-MISCELAZ. NERO AM	
33	05122415M57		RIDUTT. PORTATA LATTE AM	

Tables of group :

-  **Coffee Machines**
-  **BVM 952 - Free Standing**
 -  **BV952ES03GG - BVM952 E5S MCPD**
 -  **HYDRAULIC COMPONENTS**

Table: WATER PUMP - FLOW SENSO (830)



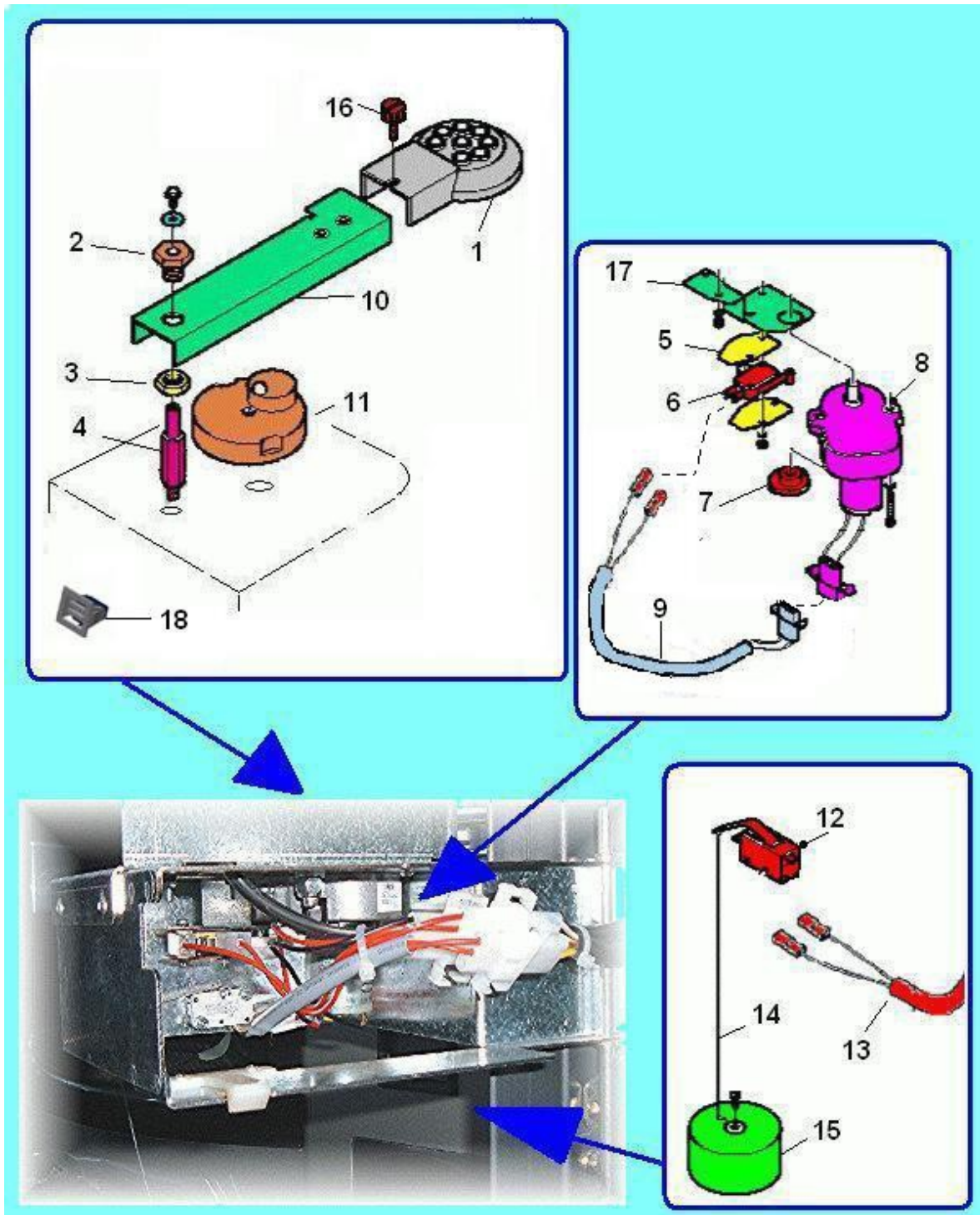
WATER PUMP - FLOW SENSO (830) - Items detail

Position	SPARE PARTS CODE VARIANT	Accessories	DESCRIPTION	For each main Item multiply q.ty by
1	09087823M57		5x9 silicon pipe black am	
2	27003316		EX5 230V-50Hz Ulka electropump	
3	04040916-01		11BAR PRO SAFETY VALVE	
4	04041016		anti return valve male/female	
5	05240015M00		3ways connector 9mm ext.	
6	25022616		clixon 100°	
7	24012116		flow sensor	
8	09029763		5x9 transparent silicone pipe	
8	09087823M57		5x9 silicon pipe black am	
9	05259515M09		SUPP. POMPA ULKA/FLUIDOTECH	
10	09085423		4x6 teflon pipe	
11	04035326		elbow connection	
12	05102215M57		RIDUT.CAM-MISCELAZ. NERO AM	
13	19004326		reinforcing bush	

Tables of group :

-  **Coffee Machines**
-  **BVM 952 - Free Standing**
 -  **BV952ES03GG - BVM952 E5S MCPD**
 -  **PRODUCT DELIVERY**

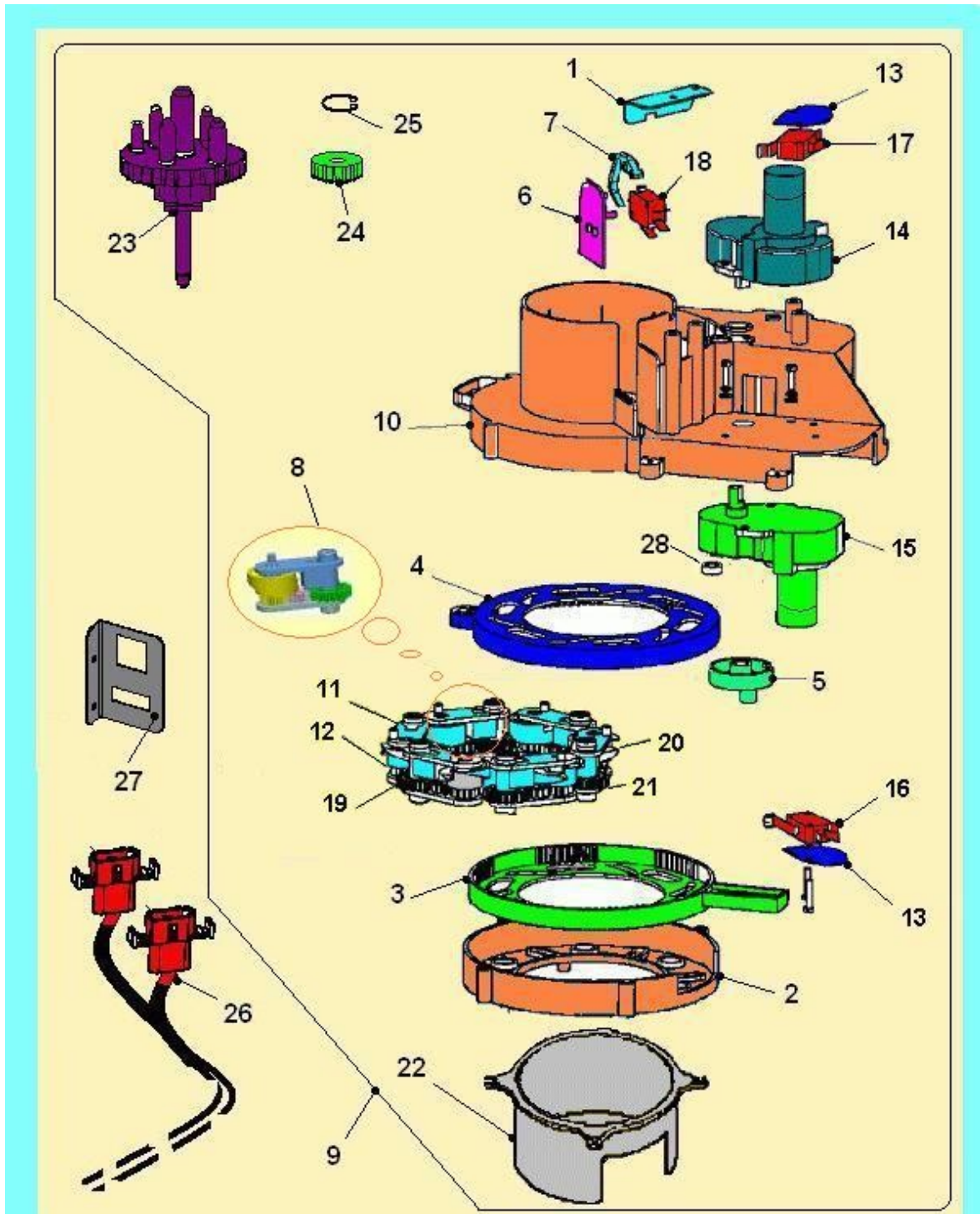
Table: NOZZLES SUPPORT PARTS (603)



NOZZLES SUPPORT PARTS (603) - Items detail

Position	SPARE PARTS CODE VARIANT	Accessories	DESCRIPTION	For each main item multiply q.ty by
1	05089925-01M37		8 pos. nozzles supp. flange PA66	
2	19057411		nozzle arm bush	
3	04014111		hexagonal nut 1/4GAS	
4	19057311-04		Antares nozzle arm pin	
5	08004111		microswitch insulation	
6	26005126		microswitch with wheel	
7	05110715		orion micro cam	
8	20018816-01		24V 2,2nF 100V gearmotor	
9	22111312		nozzle support cable low volt.	
10	01509811-01		Antares nozzles arm support	
11	05089715M37		nozzle drive cam brown	
12	26013726		too full microswitch	
13	22130312		orion GP micro floater cable	
14	22021116		0,80 nylon wire	
15	05074412		floater assembly	
16	19043521		fixing knob	
17	01630011-01		micro support	
18	33072816		Richco DCS-7 release spring	

Table: CUPS DISPENSER PARTS (628)



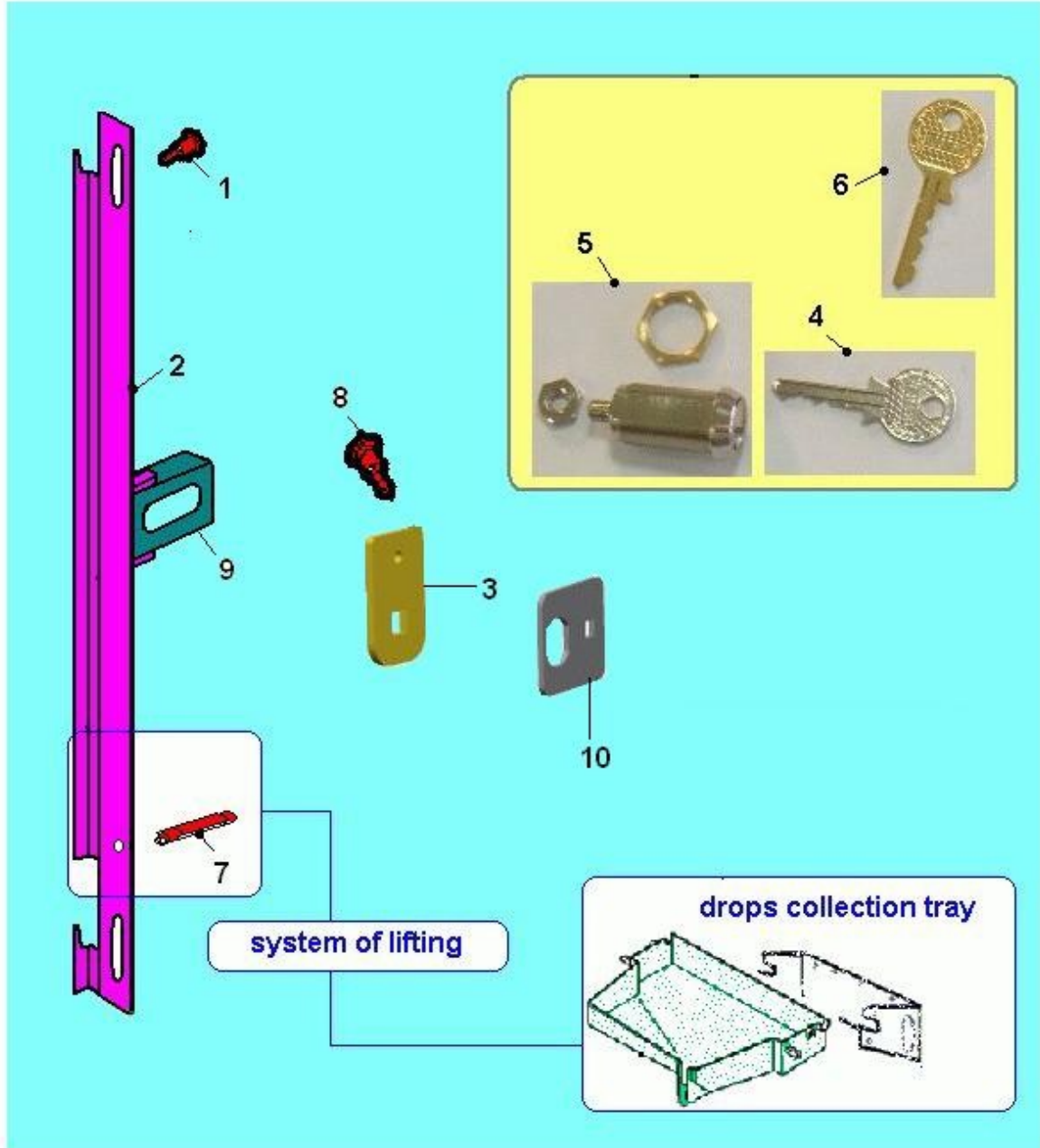
CUPS DISPENSER PARTS (628) - Items detail

Position	SPARE PARTS CODE VARIANT	Accessories	DESCRIPTION	For each main Item multiply q.ty by
1	01576411		microswitch support bracket	
2	05120615M37		cupdispencer lower cover brown	
3	05120815M37		cups ejecting ring brown	
4	05120915M37		cup diam.regulation ring brown	
5	05121115		ring movement cam	
6	05121215-01M37		Cup dispen.microswitch supp.br	
7	05121315-02		cup presence sensor	
8	05131010		cup dispenser starer	
9	28007110		OR-SI-ANT cup dispenser assy	
10	05140115M37		upper cover c/pop brown	
11	05121915		upper cochlea support	
12	05121715		cup disp. Neutal pinion	
13	08004111		microswitch insulation	
14	20018416-01		24VDC 12RPM 2,2nF 100V gearmot	
15	20019316-01		24V DC gearmotor (NEW)	
16	26005136		microswitch with wheel	
17	26005156		micro with lever	
18	26017016		micro without lever 10gr-	
19	05121515		cup dispencer cochlea	
20	05121615		cup dispencer cochlea movem.pi	
21	05121815		lower cochlea support	
22	05121015		pegaso funnel	
23	05136015		cam for cup turret rotation	
24	05136115		cup dispenser motor pinion	
25	37003116		ring	
26	22178612		BV9701VS cup dispenser wiring	
27	01826811		Cup dispenser connector plate	
28	05136215		bush	

Tables of group :

-  **Coffee Machines**
-  **BVM 952 - Free Standing**
 -  **BV952ES03GG - BVM952 E5S MCPD**
 -  **DOOR**

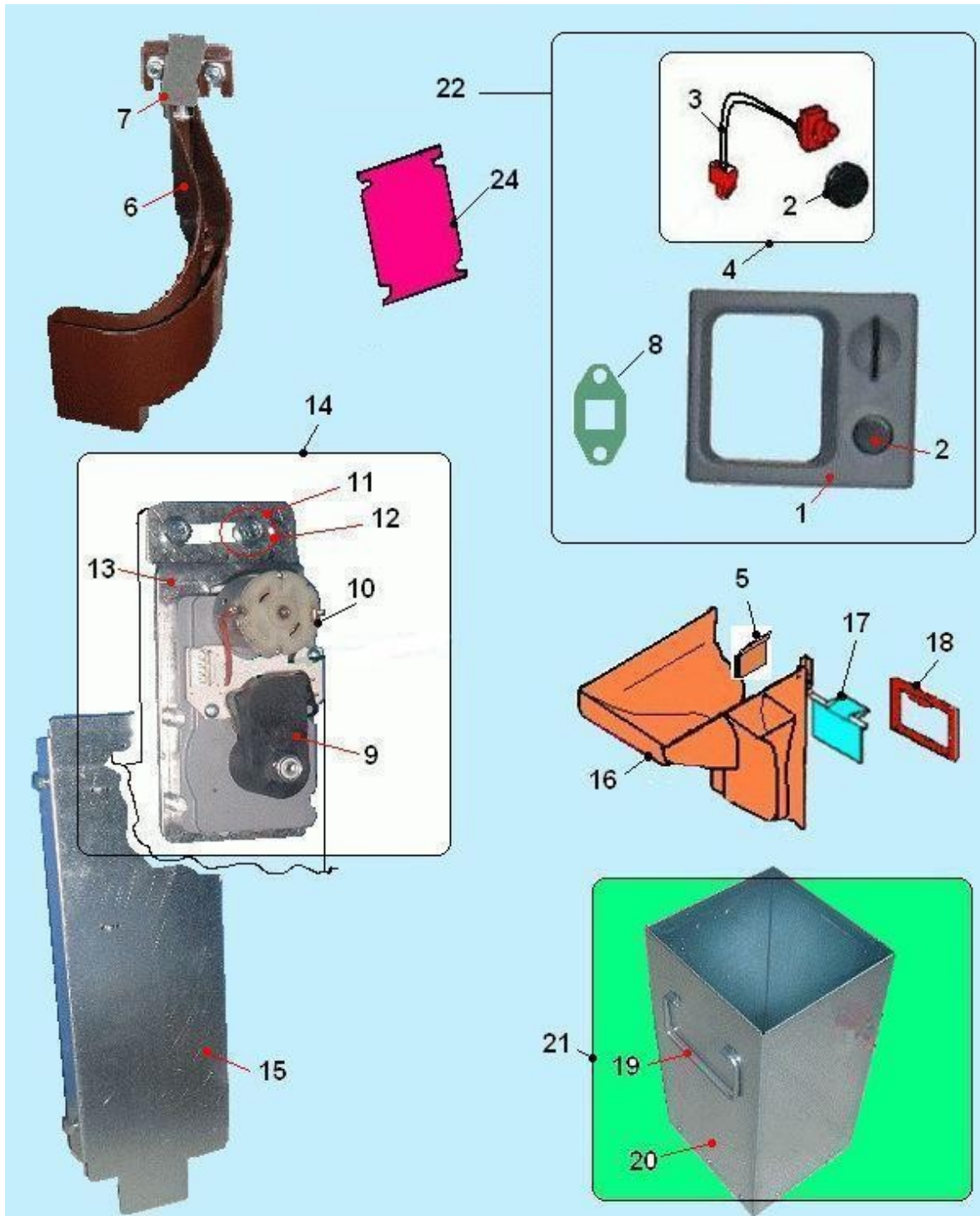
Table: LOCK (631)



LOCK (631) - Items detail

Position	SPARE PARTS CODE VARIANT	Accessories	DESCRIPTION	For each main item multiply q.ty by
1	19055511		lock rod screw	
2	01826111		BVM971 IVS door lock rod	
3	01768221		BVM971 Rielda lock hook	
4	41029836		Rielda's lock key EMK handle	
5	41029616		Rielda standard lock	
6	43001726		Emka unblock-key	
7	05107735M37		brown drop tray knob	
8	12016116		drawer wheel pin	
9	01826211-01		BV971 rod moving plate	
10	01904811		BV952/972 lock reinforcement	

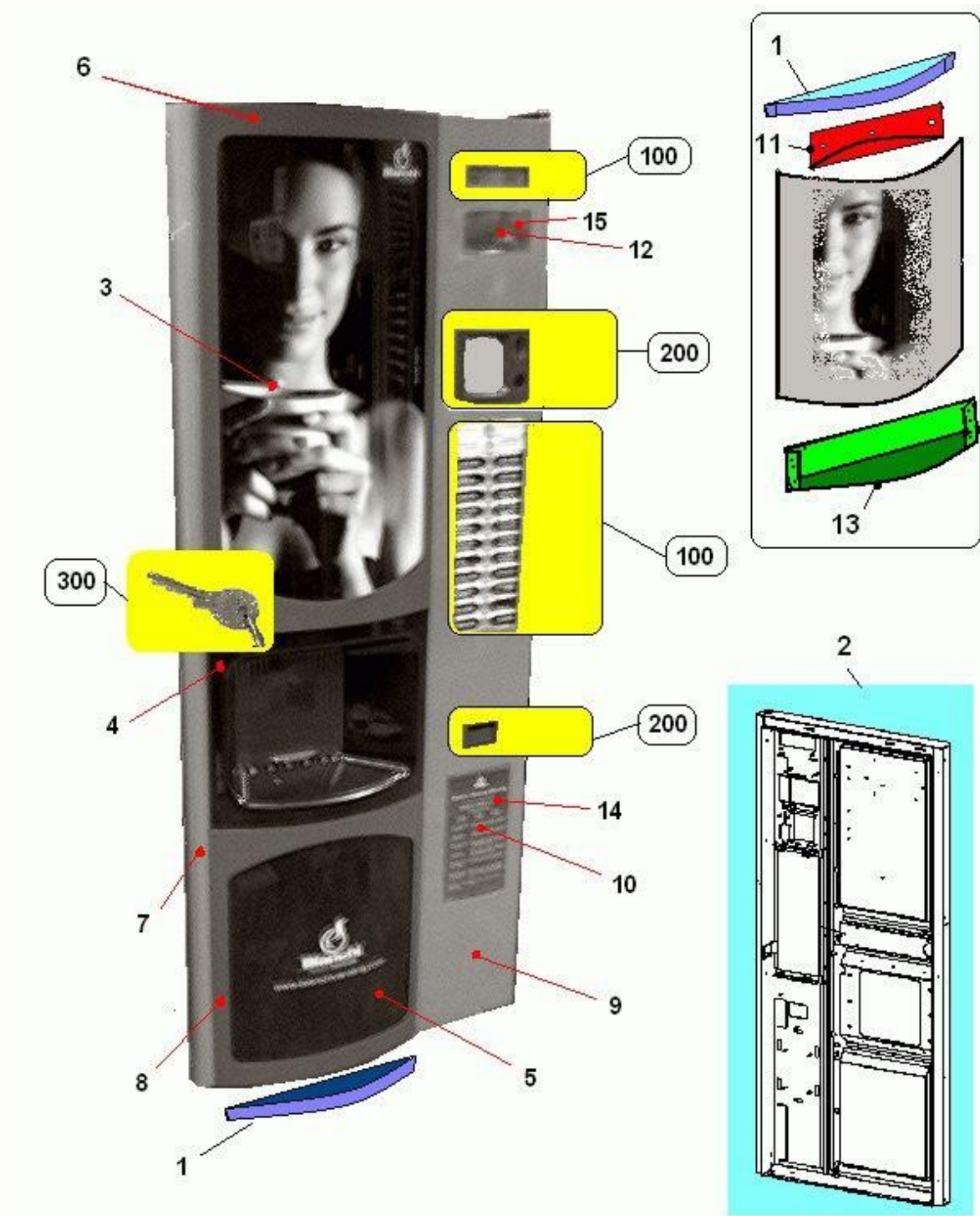
Table: COINS INTRODUCTION (647)



COINS INTRODUCTION (647) - Items detail

Position	SPARE PARTS CODE VARIANT	Accessories	DESCRIPTION	For each main Item multiply q.ty by
1	05232215M30		coin introd+m/s frame graphite	
2	05232315M09		black changegiver button	
3	26019492		changegiver button	
4	43018810		change-giver button with cap a	
5	05118241		pipe protection profile	
6	05233515M37		Coin Introduction slide	
7	01807111		coin slide roof	
8	01796011		button support plate	
9	05192815-01M78		CAMMAXATTUATORE RENDIMON.GRIG	
10	20031216		changegiver gearmotor	
11	32122916		M5x10 screw	
12	34115416		M5 nut with washer	
13	01799011-01		Changegiver motor support	
14	96065520		coin return motor assembly	
15	01825812-01		BVM972 coin mech. support assy	
16	05233615-01M37		coin recovery channel	
17	05083115-01M30		coin recovery door - graphite	
18	05246715M30		coin recovery frame	
19	12028011		coin box handle	
20	01830112-02		BV971 IVS coin box assy	
21	01884220		Coin box with handle assy	
22	05249010		BVM coin mask w/button assy	
24	01806311		reinforcement plate for M/S ho	





Table: DOOR EXTERNAL COMPONENTS (778)



DOOR EXTERNAL COMPONENTS (778) - Items detail

Position	SPARE PARTS CODE VARIANT	Accessories	DESCRIPTION	For each main Item multiply q.ty by
1	01785411-02L30		higher lexan frame cover graph	
2	01855122-01		BVM952 riveted door assy	
3	05245011		LEXAN SERIGRAF. BV952 SUP.	
4	05231915M09		black cup station window hole	
5	05232111		lower serigr. lexan	
6	01785321L30		BV952 upper graph.lexan frame	
7	01856211P54		BV952 IX lock side cover	
8	01785711L30		lower lexan frame graphite	
9	01856311-02P54		BV952 IX hinge side cover	
10	05232625M00		transp.info panel h=230 BVM951	
11	01804811		Lexan fixing plate	
12	05233715M00		transp.info upper panel BVM951	
13	01785511-02L30		base for lexan frame graphite	
14	30263821		black panel lower showcase BVM	
15	30263811		black panel upper showcase BVM	
100	See Table "KEYPAD - DISPLAY (777)" - Pag. 52			
200	See Table "COINS INTRODUCTION (647)" - Pag. 86			
300	See Table "LOCK (631)" - Pag. 84			

Tables of group :

-  **Coffee Machines**
-  **BVM 952 - Free Standing**
-  **BV952IN01GG - BVM952 I 7S PD**
-  **DOOR**

DOOR EXTERNAL COMPONENTS (982) - Items detail

Position	SPARE PARTS CODE VARIANT	Accessories	DESCRIPTION	For each main item multiply q.ty by
1	01855820		ASS.CORN.LEX.SUP.BV952 REST/08	
2	01923920		ASS.CORN.LEX.INF.95/972REST/08	
3	05245011		LEXAN SERIGRAF. BV952 SUP.	
3	05270711		LEXAN BVM952 SERENA	
4	01785411-02L09		TAPPO CORNICE LEXAN NERO	
5	01804811		Lexan fixing plate	
6	34511726		elastic plate M5	
7	01785321L09		CORNICE LEXAN SUP.NERO BV952	
8	01785511-02L09		BASE CORNIC. LEXAN SUP. NERO	
9	05231915M09		black cup station window hole	
10	05232111		lower serigr. lexan	
10	05270411		LEXAN BV95/972 LOVE INF	
11	01785711L09		CORNICE LEXAN INFER. NERO	
12	01856211-01P54		COVER LATO SERRATURA IX BV952	
13	01856311-02P54		BV952 IX hinge side cover	
14	30263821		black panel lower showcase BVM	
15	05232625M00		transp.info panel h=230 BVM951	
16	05233715M00		transp.info upper panel BVM951	
17	30263811		black panel upper showcase BVM	
18	22190616-01		CAVO ALIMENT.BARRA LED C/DIODO	
19	33066316		card spacer	
20	26055416		BARRA 6 LED 260MM 24VDC	
100	See Table "KEYPAD - DISPLAY (984)" - Pag. 206			
200	See Table "INTRODUZIONE E RECUPERO MONETA (985)" - Pag. 208			
300	See Table "LOCK (914)" - Pag. 160			

Tables of group :





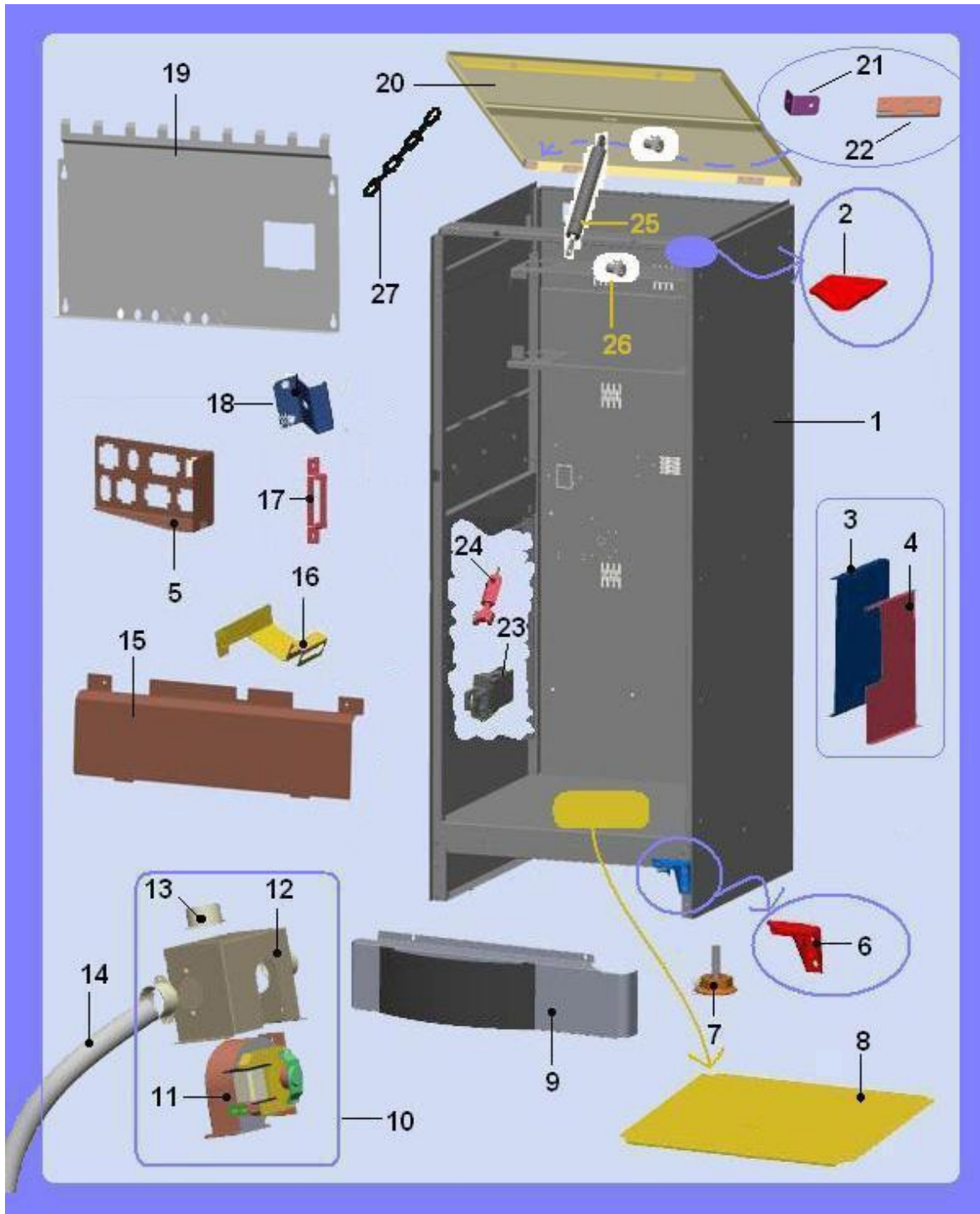
-  **Coffee Machines**
-  **BVM 952 - Free Standing**
-  **BV952IN01GG - BVM952 I 7S PD**
-  **CABINET**

Table: CABINET AND PARTS (989)



CABINET AND PARTS (989) - Items detail

Position	SPARE PARTS CODE VARIANT	Accessories	DESCRIPTION	For each main Item multiply q.ty by
1	01852322-01P48		ASS. CASSONE BVM 952 GRAF	
2	01864411		BV952 upper hinge sheet	
3	01834211-02		COPERTURA SX SUPPORTO CASSETTO	
4	01828211-01		COPERTURA DX SUPPORTO CASSETTO	
5	01828411-01		BV971 IVS connectors plate	
6	01823011-01		BVM971 IVS lower hinge	
7	21057212		foot.assy (m10x40) - -bvm971	
8	01841911P54		BV 971 IVS base protection	
9	01831112-01		BV971 IVS skirting board assy	
10	01831320-01		ASS. ASPIRATORE BVM 972 SOL.	
11	20006316-01		aspirator w/spacer (ant-sir-or	
12	01828741-01		LAM.ASPIRATORE 2 VIE BV972 SOL	
13	05071915		aspiration pipe connection	
14	09031113		28x33 Leviflex pipe	
15	01854111-02		COPERT.SCAT. ELETTRICA BV952	
16	01834511-02		GUIDA x TUBI SCARICO	
17	01844011		Switch support	
18	01828111-02		CARDINE SERRATURA BV 971 IVS	
20	01853122-01P48		ASS. TETTO BVM 952	
21	01922011		SQUADRETTA PER TETTO	
22	21057116		CERNIERA MOBILETTO BV921	
23	26016726		safety switch	
24	05097215-02M09		Service key XT Clixon black am	
25	12047916		BV952 VAPSINT gas spring	
26	19117811		PERNO MOLLA GAS	
27	21015816		Chainlet assy	

Tables of group :





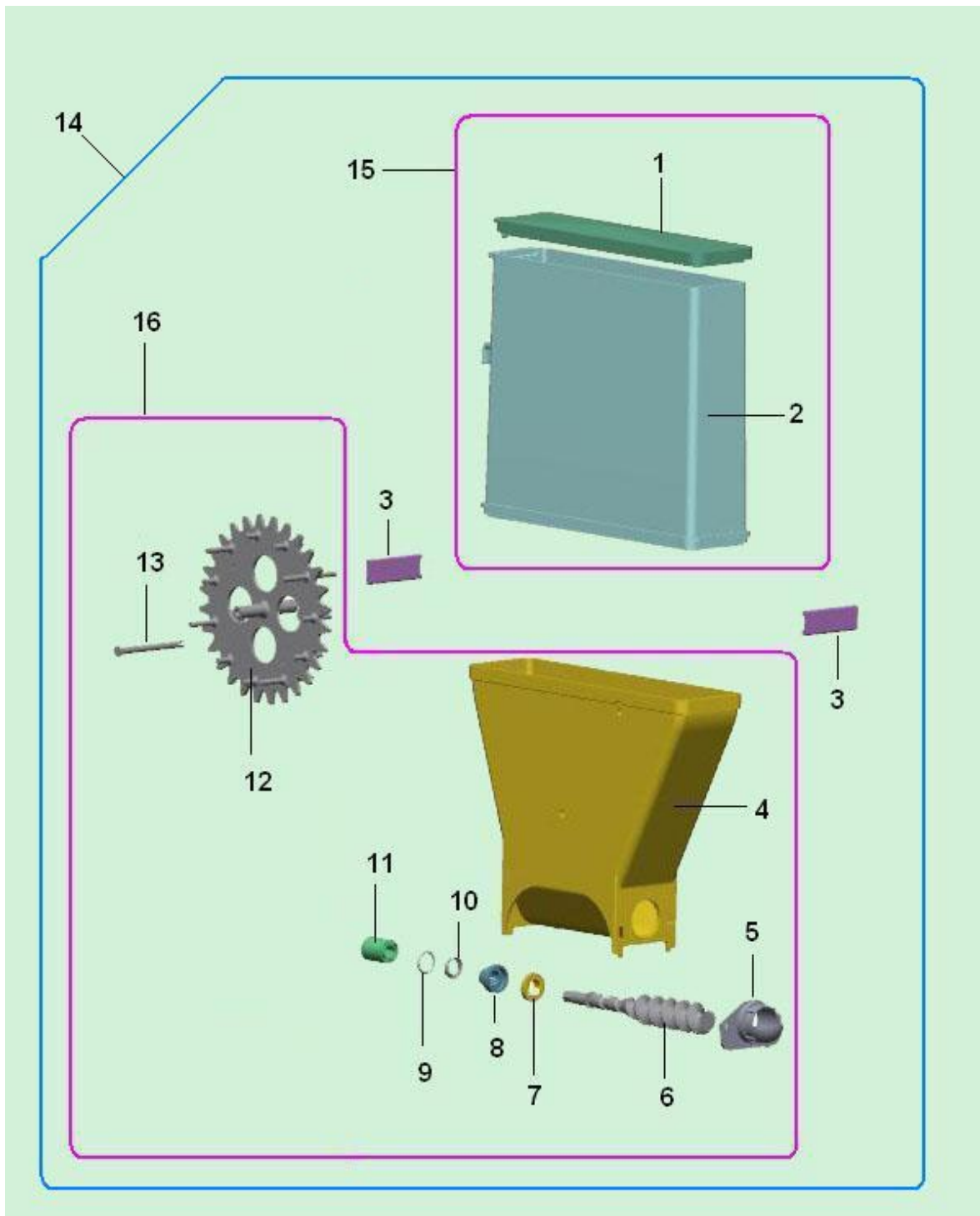
-  **Coffee Machines**
-  **BVM 952 - Free Standing**
-  **BV952IN01GG - BVM952 I 7S PD**
-  **INSTANT ASSEMBLY**

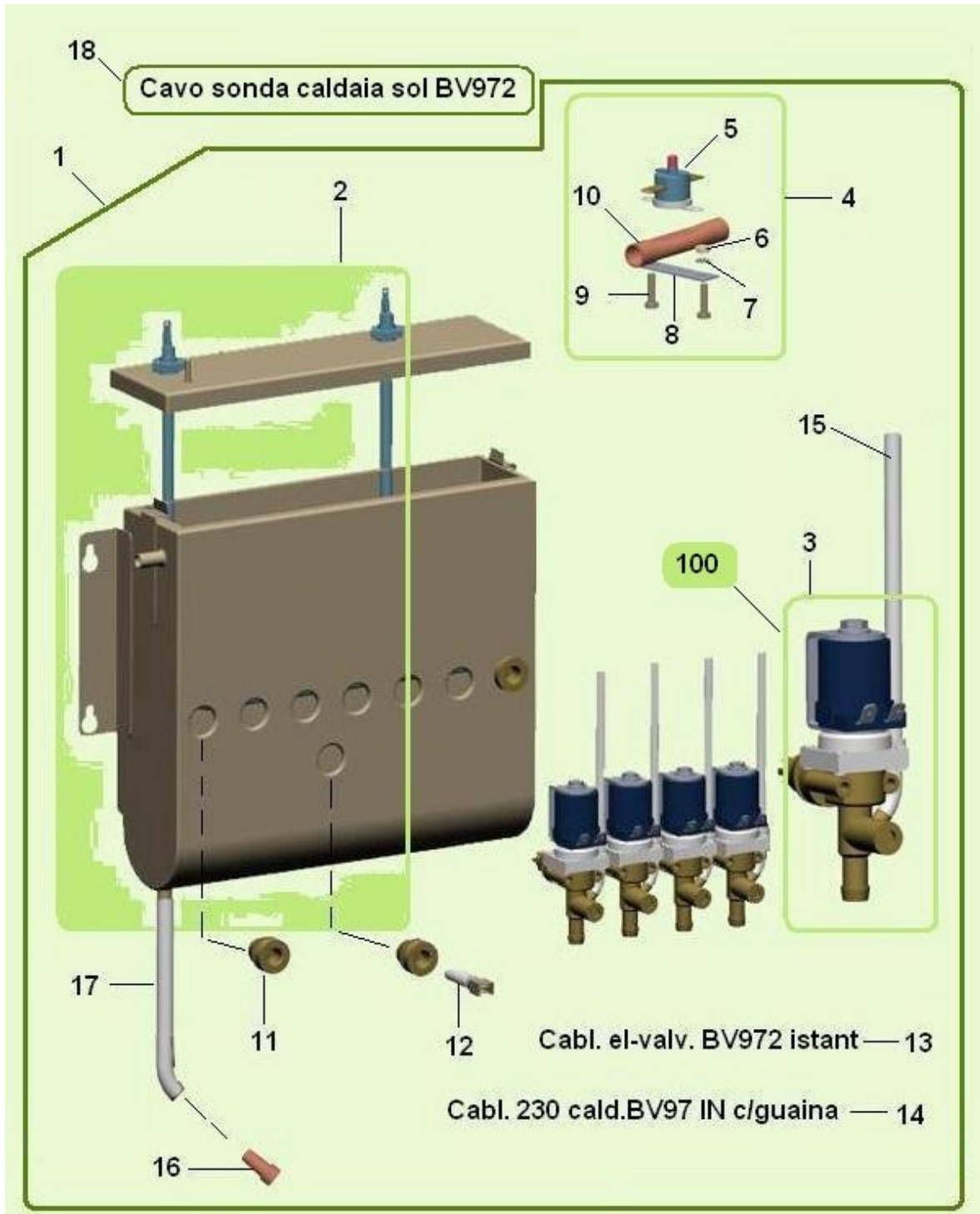
Table: ASS. SCATOLA DOS. 1/R (900)



ASS. SCATOLA DOS. 1/R (900) - Items detail

Position	SPARE PARTS CODE VARIANT	Accessories	DESCRIPTION	For each main Item multiply q.ty by
1	05112915		canister lid	
2	05112755-01		SCAT.DOS-SUP.L=221	
3	05113415		hook	
4	05158625-02		SCAT.DOS.-INF. X 1 RUOTA	
5	05158515-01		auger for product canister	
6	05124515		dispensing auger	
7	05113215		sealing bushing for auger	
8	05112535		auger pin bushing	
9	36200616		Oring 15x2	
10	36250016		DI 043 gasket	
11	05113315		auger joint	
12	05112215-01		main cogwheel for canister	
13	05133115-01		canister pivot	
14	96048620-02		C/O SC-DOS 1/R PROL-221MM	
15	05138410-01		ASS. PROL. SC-DOS L=221	
16	05242720		ASS. SCATOLA DOS. INF. 1/RUOTA	

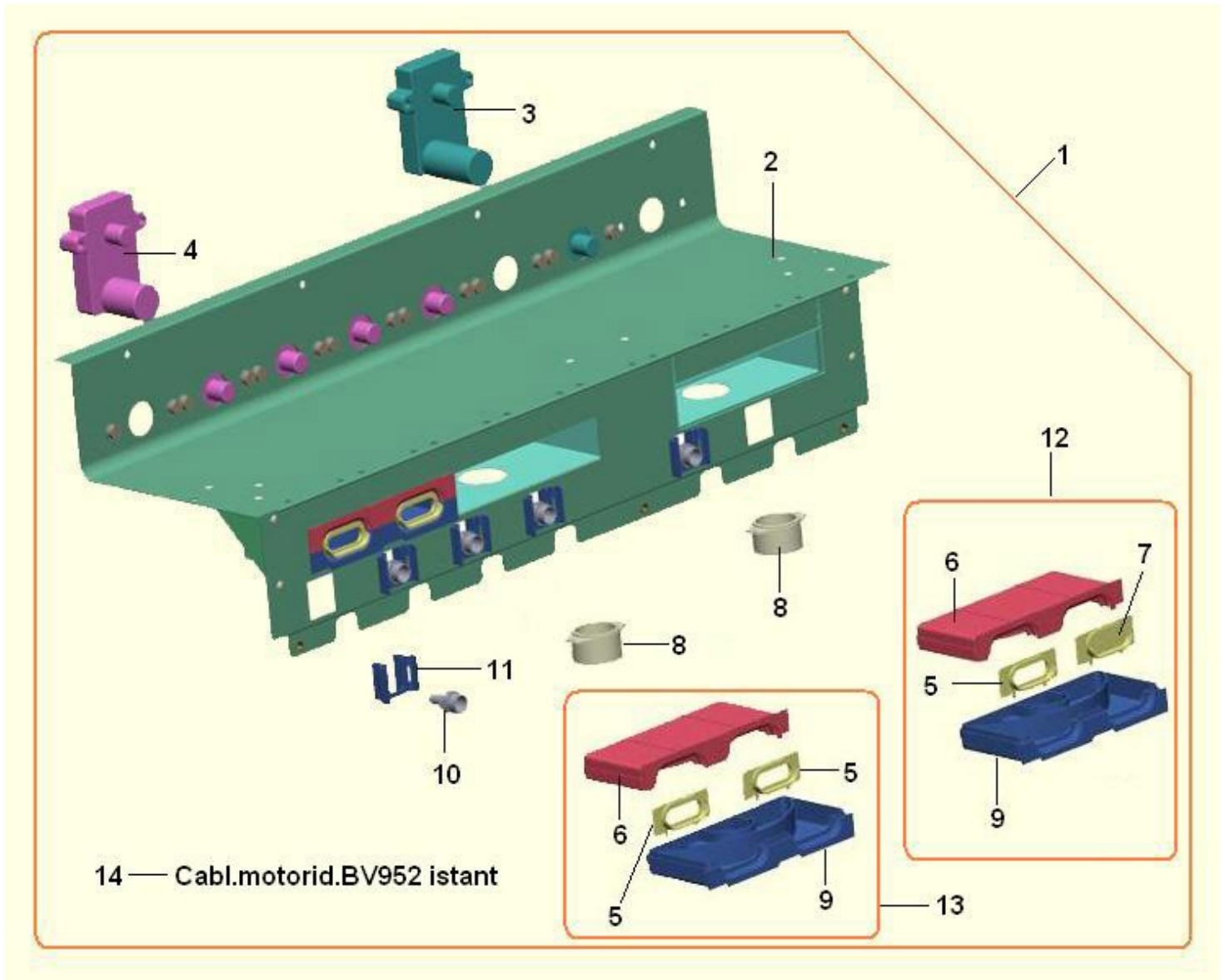
Table: INSTANT BOILER GROUP ASSEMBLY (979)



INSTANT BOILER GROUP ASSEMBLY (979) - Items detail

Position	SPARE PARTS CODE VARIANT	Accessories	DESCRIPTION	For each main item multiply q.ty by
1	87011710		C/O CALD. 5 ELETTROV. BV952 IN	
2	01846210		BV972 7 el-valves boiler assy	
3	25032616		BVM972 instant boiler el-valve	
4	25019620		clixon tube assy - 75°	
5	25014936-01		clixon75°C	
6	34102716		M3 hexagonal nut	
7	35160216		self-locking diam.3.2	
8	01213411		clixon plate	
9	32025716		3MA x 16 TC screw	
10	09078221		clixon pipe	
11	05248526		006779 heating room el-valve c	
12	26051616		BV972 temp. sensor w/NTC 100K	
13	22182812		Instant BV972 el-valve wiring	
14	22182912-01		CABL. 230 CALD. BV97 IN C/GUIN	
15	09087823M57		5x9 silicon pipe black am	
16	05036515		drain tube plug	
17	09029713		6x9 silicone tube	
18	22183412		BV971 INST. boiler probe cable	
100	See Table "COMPONENTI ELETTROVALVOLA SOLUBILI TIPO "MUELLER" (832)" - Pag. 115			

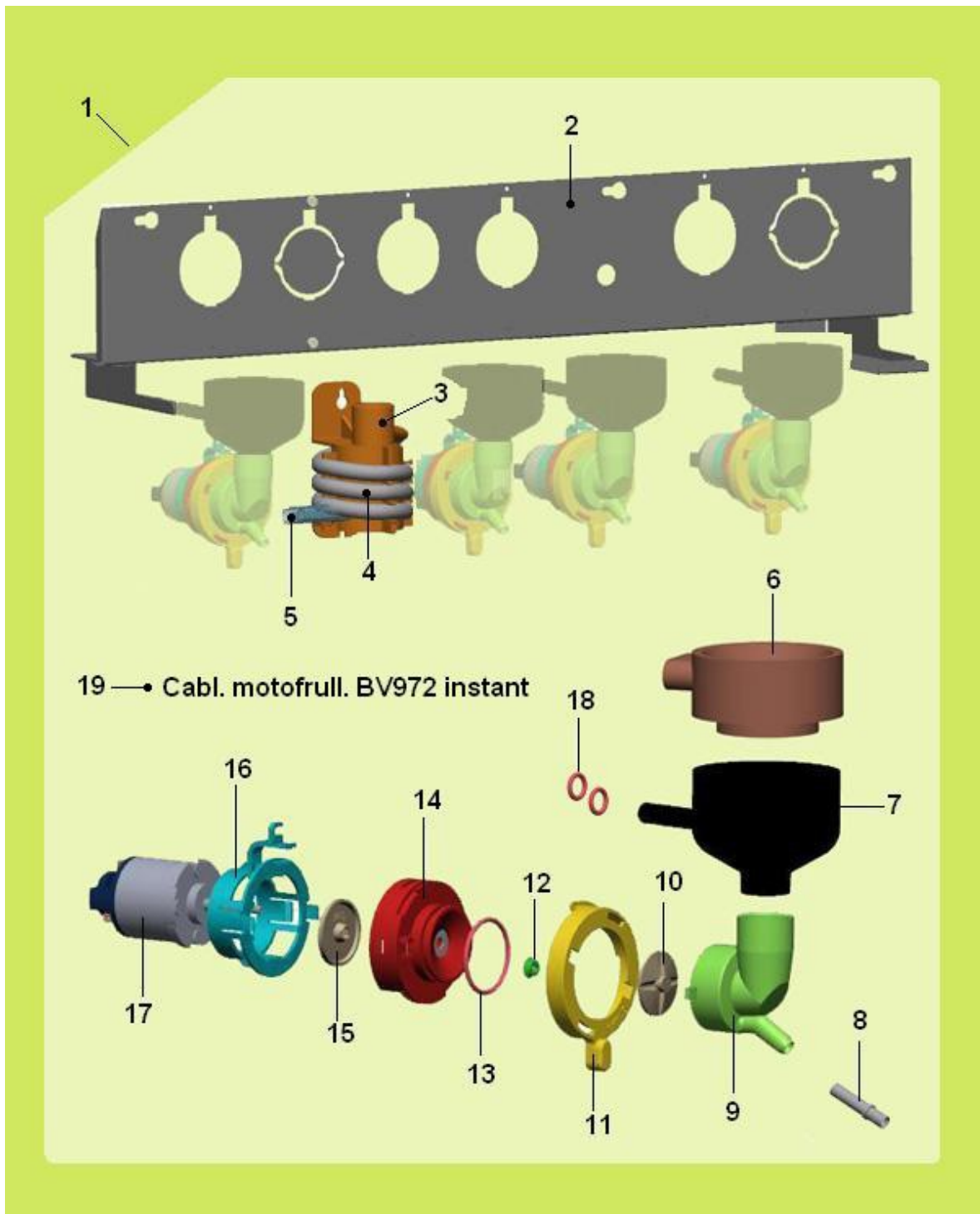
Table: MOTORS SUPPORT ASSEMBLY (980)



MOTORS SUPPORT ASSEMBLY (980) - Items detail

Position	SPARE PARTS CODE VARIANT	Accessories	DESCRIPTION	For each main Item multiply q.ty by
3	20017016-02		100 rpm 24V DC gearmotor w/o c	
4	20016916-02		MOT.24VDC 40G/M wout/CABL.PLS	
5	05117615		vapor aspiration box opening	
6	05139725		upper aspiration box	
7	05117215		aspiration box plug	
8	05071915		aspiration pipe connection	
9	05139625		lower aspiration box pegIVS	
10	05088915M57		RACCORDO PORTAGOMMA NERO AM	
11	05159025M37		rubber holder connection suppo	
12	05169020		Low.brown suction box RT clos.	
13	05169010		lower aspiration box	

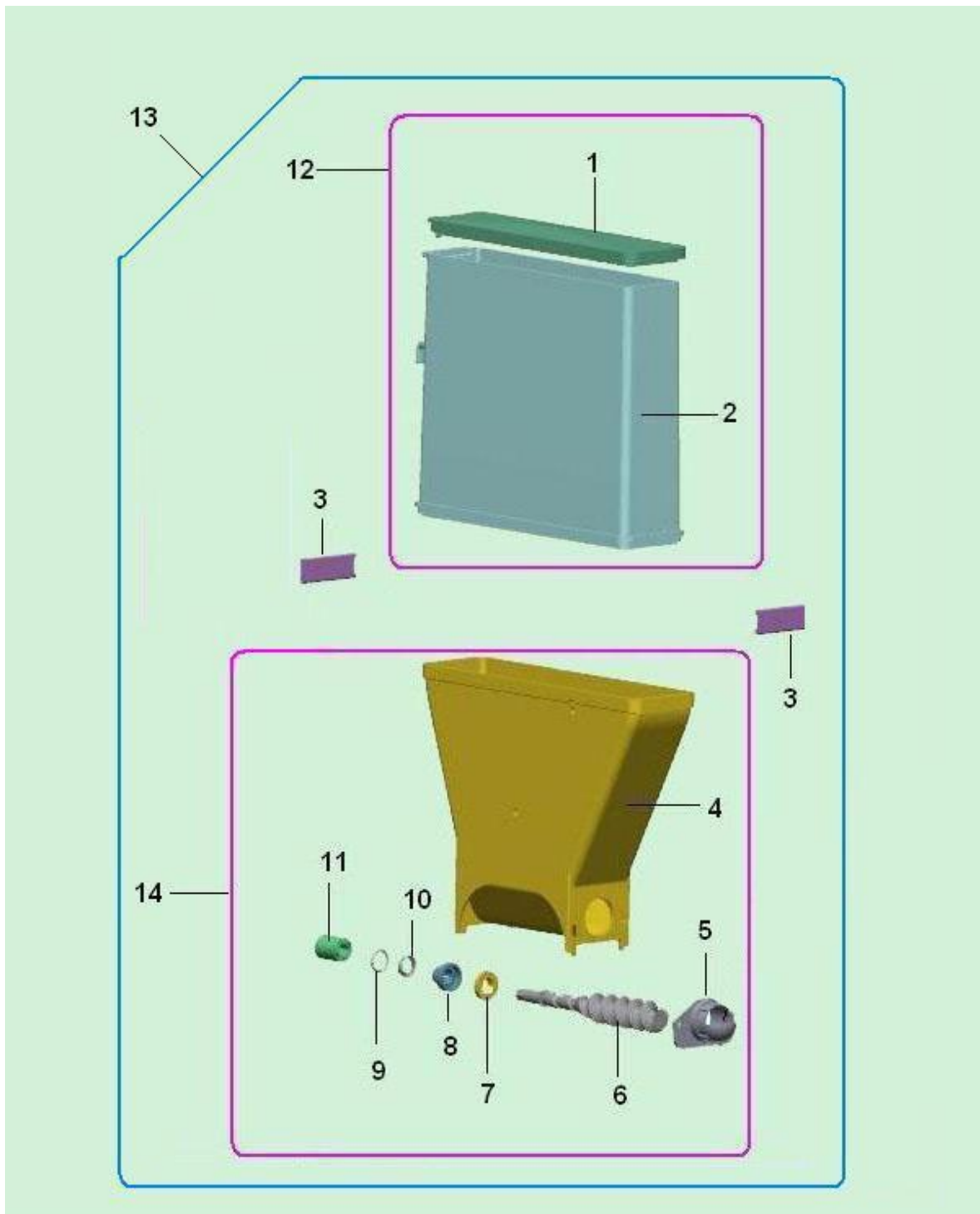
Table: C/O SUPPORTO GRUPPO MISCELATORI (990)



C/O SUPPORTO GRUPPO MISCELATORI (990) - Items detail

Position	SPARE PARTS CODE VARIANT	Accessories	DESCRIPTION	For each main item multiply q.ty by
3	05141815-01M57		SUPP.SERPENT.THE PLS NERO AM	
4	09087823M57		5x9 silicon pipe black am	
5	07017711		tea serpent. spring	
6	05113815M57		black mixing bowl cover	
7	05113745M57		mixing bowl L=10 black am	
8	05122415M57		RIDUTT. PORTATA LATTE AM	
9	05111615M57		mixer chamber black AM	
10	05111825		mixer impeller	
11	05240915M37		Mixing room blocking flange	
12	36351215		green V-seal gasket	
13	36210716		OR 3131 gasket	
14	05243112M57		chamber support flange assy	
15	05154015		mixer protection disk	
16	05241115-01M37		Motor support flange	
17	20020016-01		24VDC mixermotor screwed shaft	
18	36203816		OR 106 6,75/1,78 gasket	

Table: ASS. SCATOLA DOSATRICE S/RUOTA (986)



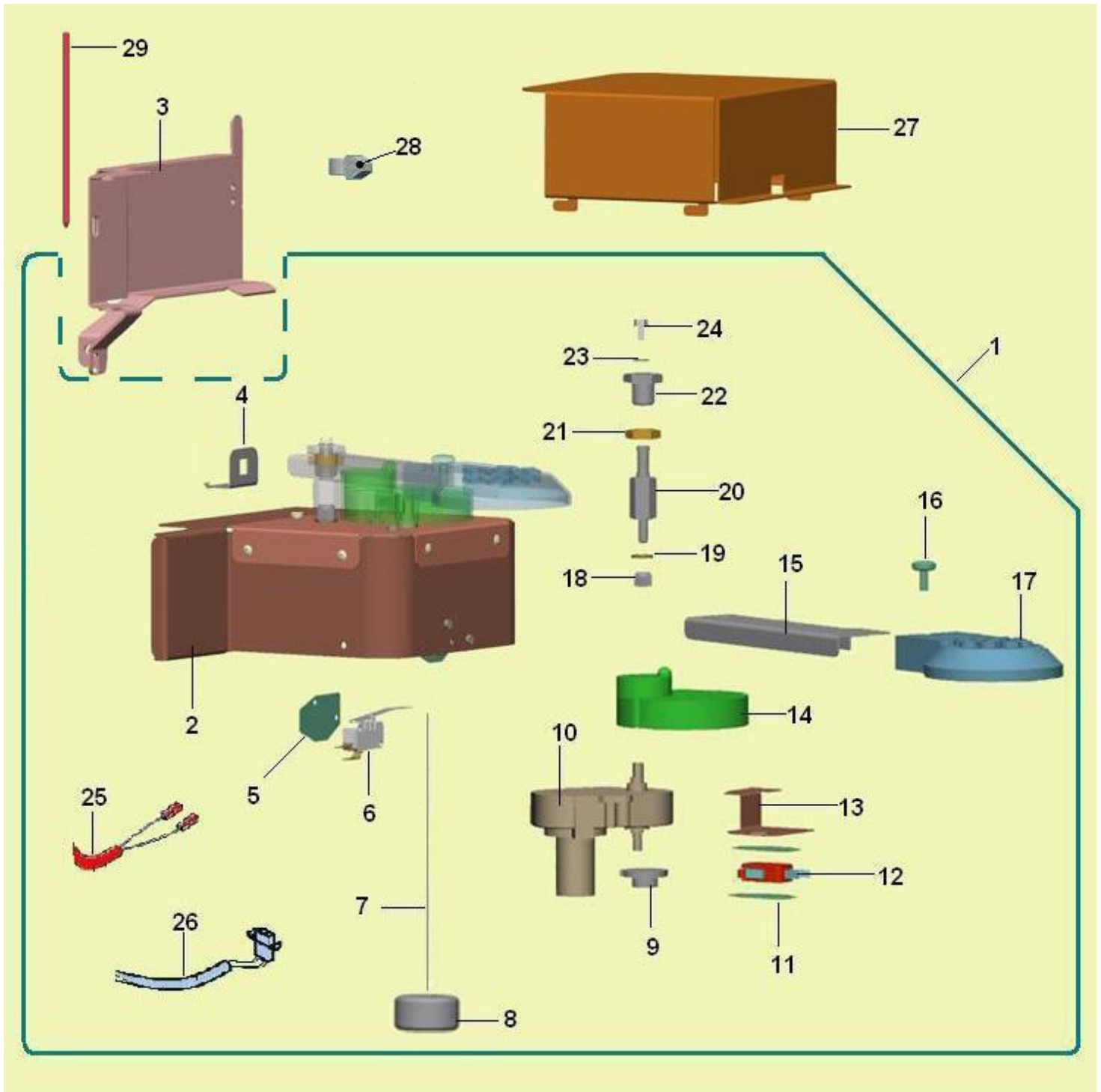
ASS. SCATOLA DOSATRICE S/RUOTA (986) - Items detail

Position	SPARE PARTS CODE VARIANT	Accessories	DESCRIPTION	For each main Item multiply q.ty by
1	05112915		canister lid	
2	05112755-01		SCAT.DOS-SUP.L=221	
3	05113415		hook	
4	05158635-02		Lower canister w/out wheel	
5	05158515-01		auger for product canister	
6	05124515		dispensing auger	
7	05113215		sealing bushing for auger	
8	05112535		auger pin bushing	
9	36200616		O-ring 15x2	
10	36250016		DI 043 gasket	
11	05113315		auger joint	
12	05138410-01		ASS. PROL. SC-DOS L=221	
13	96035750-02		C/O SC-DOS. S/R PROL- 221M	
14	05242730		ASS. SCATOLA DOS. INF. S/RUOTA	

Tables of group :

-  **Coffee Machines**
-  **BVM 952 - Free Standing**
 -  **BV952IN01GG - BVM952 I 7S PD**
 -  **PRODUCT DELIVERY**

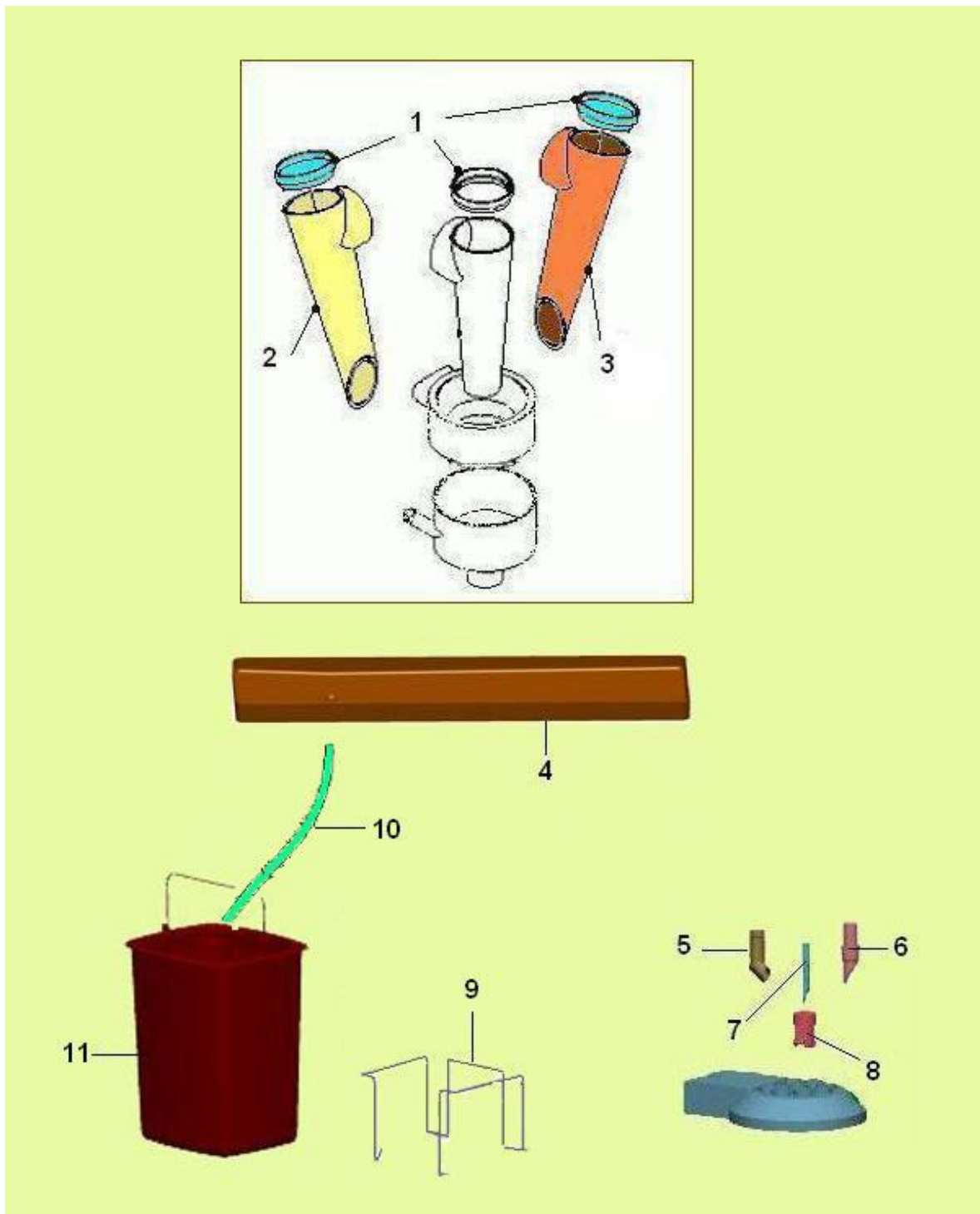
Table: C/O SUPPORTO UGELLI (981)



C/O SUPPORTO UGELLI (981) - Items detail

Position	SPARE PARTS CODE VARIANT	Accessories	DESCRIPTION	For each main Item multiply q.ty by
3	01835012-01		ASS.SUPP.ROTAZ.ZUCCH.UGELLI	
4	33072816		Richco DCS-7 release spring	
5	08004111		microswitch insulation	
6	26013726		too full microswitch	
7	22021116		0,80 nylon wire	
8	05074412		floater assembly	
9	05110715		orion micro cam	
10	20018816-01		24V 2,2nF 100V gearmotor	
11	08004111		microswitch insulation	
12	26005126		microswitch with wheel	
13	01630011-01		micro support	
14	05089715M37		nozzle drive cam brown	
15	01509811-01		Antares nozzles arm support	
16	19043521		fixing knob	
17	05089925-01M37		8 pos.nozzles supp.flange PA66	
18	34110416		6MA hex nut	
19	35155416		6.4 plain washer	
20	19057311-04		Antares nozzle arm pin	
21	04014111		hexagonal nut 1/4GAS	
22	19057411		nozzle arm bush	
23	35155216		plain washer for 4M screw	
24	32050416		M4x8 screw	
25	22130312		orion GP micro floater cable	
26	22111312		nozzle support cable low volt.	
28	33072716		Richco DCS-4 latch pin	
29	12017611		cup disp.rotation pin	

Table: PARTI DI COMPLETAMENTO (988)



PARTI DI COMPLEMENTO (988) - Items detail

Position	SPARE PARTS CODE VARIANT	Accessories	DESCRIPTION	For each main item multiply q.ty by
1	05160415-01M37		powder funnel cap brown	
2	05160665		brown left powder funnel l=101	
3	05160655		brown right powder funnel l=10	
4	05245615M37		BV972 brown express/instant dr	
5	05089815-02M57		AM elbow dispensing nozzle	
6	05096025M57		BECC.EROGAZ.DIRIT.SMUS.NERO AM	
7	05099715-01M57		UGELLO CAPILLARE L=48 AM	
8	05099615		nozzle bush	
9	07034411-01		Bucket spring	
10	09027623		12x16 L=700 PVC pipe	
11	05137316		bucket	

Tables of group :




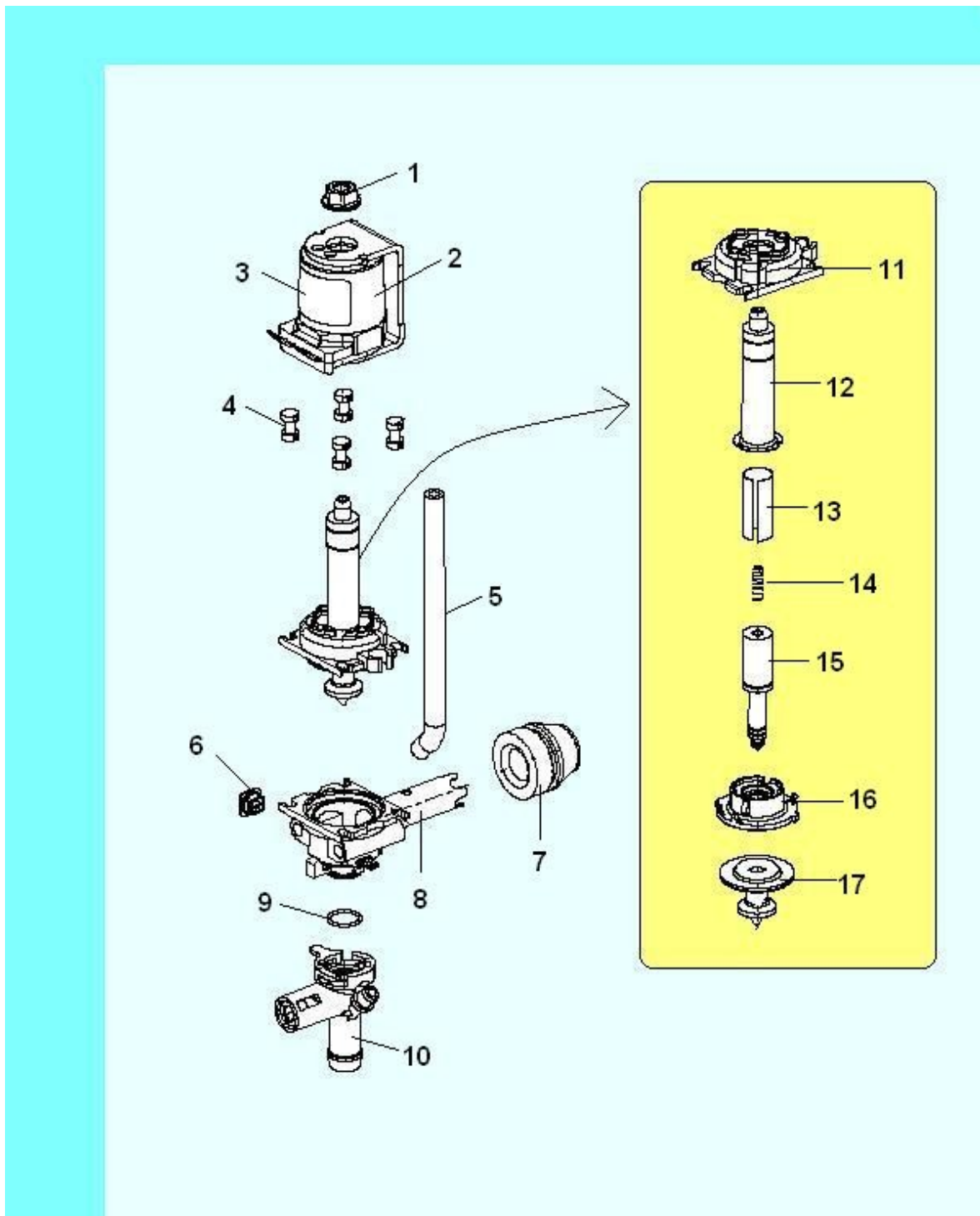
-  **Coffee Machines**
-  **BVM 952 - Free Standing**
 -  **BV952IN01GG - BVM952 I 7S PD**
 -  **HYDRAULIC COMPONENTS**

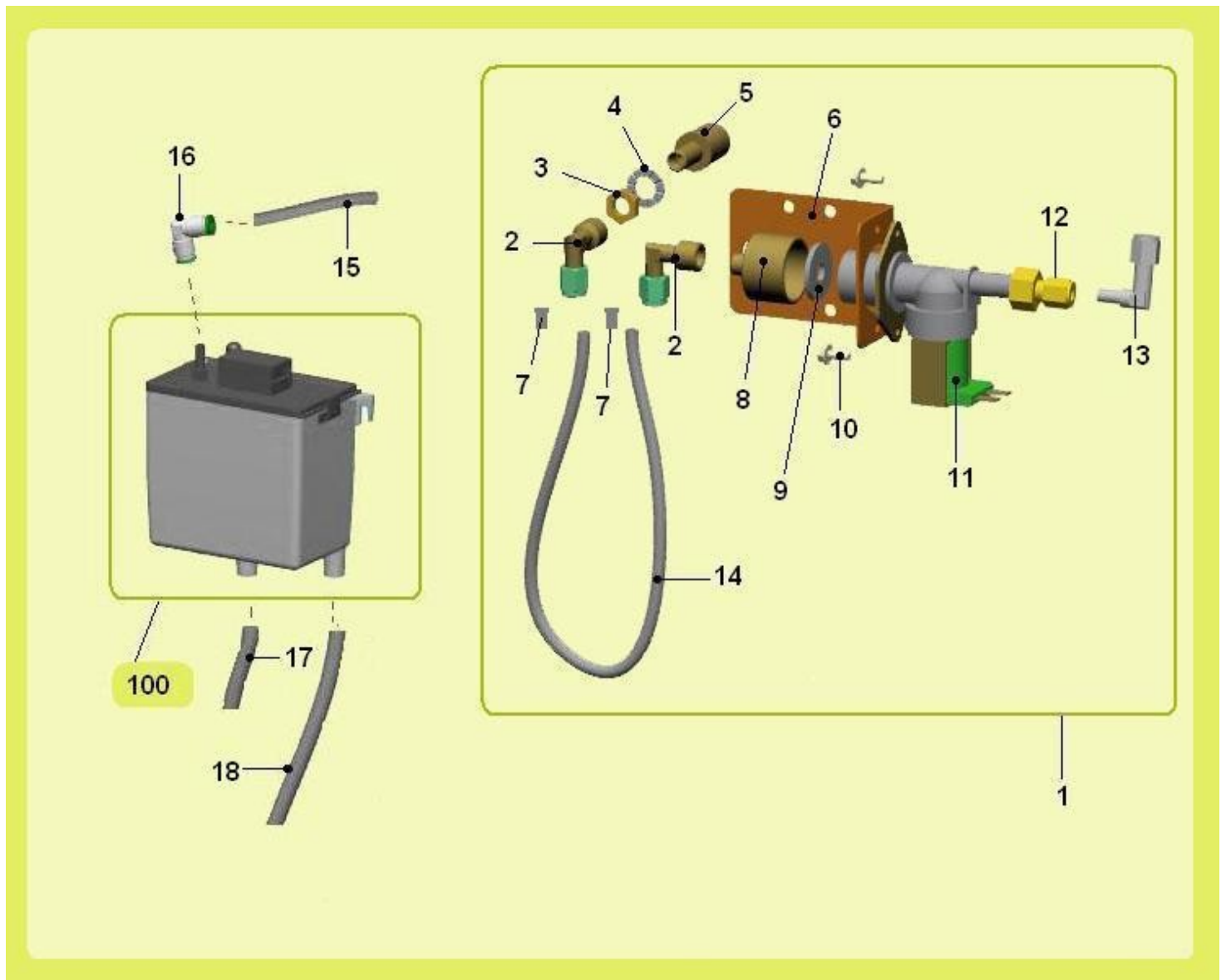
Table: COMPONENTI ELETTROVALVOLA SOLUBILI TIPO "MUELLER" (832)



COMPONENTI ELETTROVALVOLA SOLUBILI TIPO "MUELLER" (832) - Items detail

Position	SPARE PARTS CODE VARIANT	Accessories	DESCRIPTION	For each main Item multiply q.ty by
1	43050216		DADO	
2	43050016		BOBINA COMPLETA	
3	43050116		TARGHETTA	
4	43049916		MORSETTE DI ARRESTO	
5	43050316		TUBO DI VENTILAZIONE	
6	43049016		MORSETTA D'ARRESTO	
7	43050416		GUARNIZIONE/MANICOTTO	
8	43048816		CORPO CON SEDE DI TPFE	
9	43049116		O-RING	
10	43048916		BECCUCCIO,VITE REGOLAT, O-RING	
11	43049816		PIASTRA DI ARRESTO	
12	43049716		CANOTTO CON INSERTO	
13	43049616		FOGLIO DI SCORRIMENTO	
14	43049516		MOLLA	
15	43049216		NUCLEO	
16	43049316		SOSTEGNO GUARNIZIONE	
17	43049416		MEMBRANA	

Table: COLLEGAMENTI IDRAULICI - ELETTROV. INGRESSO ACQUA (987)



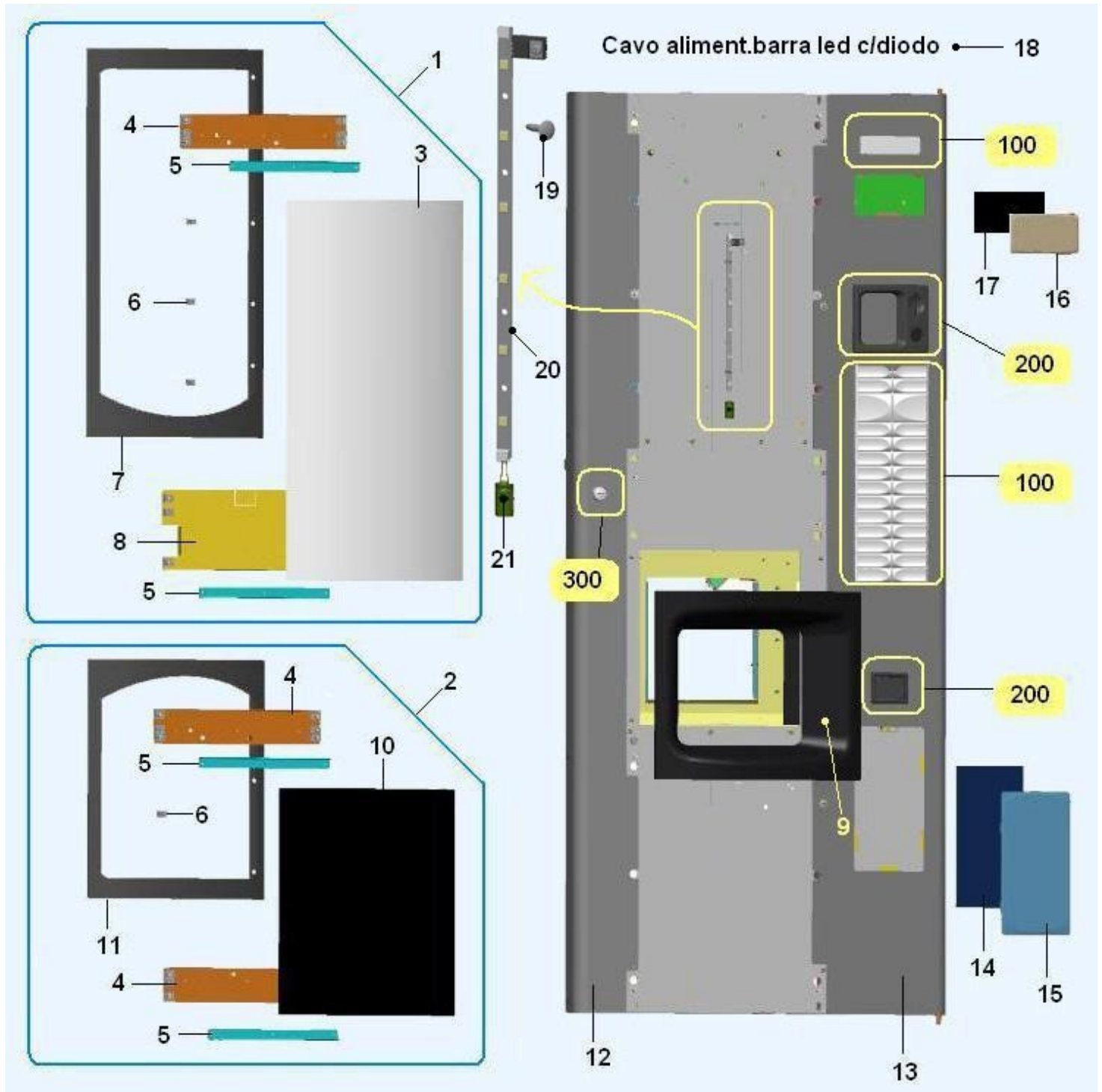
COLLEGAMENTI IDRAULICI - ELETTROV. I INGRESSO ACQUA (987) - Items detail

Position	SPARE PARTS CODE VARIANT	Accessories	DESCRIPTION	For each main Item multiply q.ty by
1	25032560-01		ASS. SUP. E-VALV. BVM MC/DC	
2	04036816		elbow connection	
3	04014131		hexagonal nut 1/8GAS	
4	35160716		washer	
5	04040716		1/8 - 3/8 straight connection	
6	01525121-01		Brita e.v. support plate	
7	19004326		reinforcing bush	
8	04000131		3/4 GF 1/8 GM connection	
9	05111016		Ø 25,5 silicone plain gasket	
10	32050516		screw 4 MAX10	
11	25000146		inlet water electrovalve 24v d	
12	04035526		connection	
13	04033236		turning elbow connection	
14	09085423		4x6 teflon pipe	
15	09085423		4x6 teflon pipe	
16	04041416		quick-release connection D=6	
17	09040021		8x12 silicone transp.pipe	
18	09027623		12x16 L=700 PVC pipe	
100	See Table "AIR BREAK ASSY W/MICRO SW (784)" - Pag. 192			

Tables of group :

-  **Coffee Machines**
-  **BVM 952 - Free Standing**
 -  **BV952ES04GG - BVM952 E4S MC DM PD**
 -  **DOOR**

Table: DOOR EXTERNAL COMPONENTS (1009)



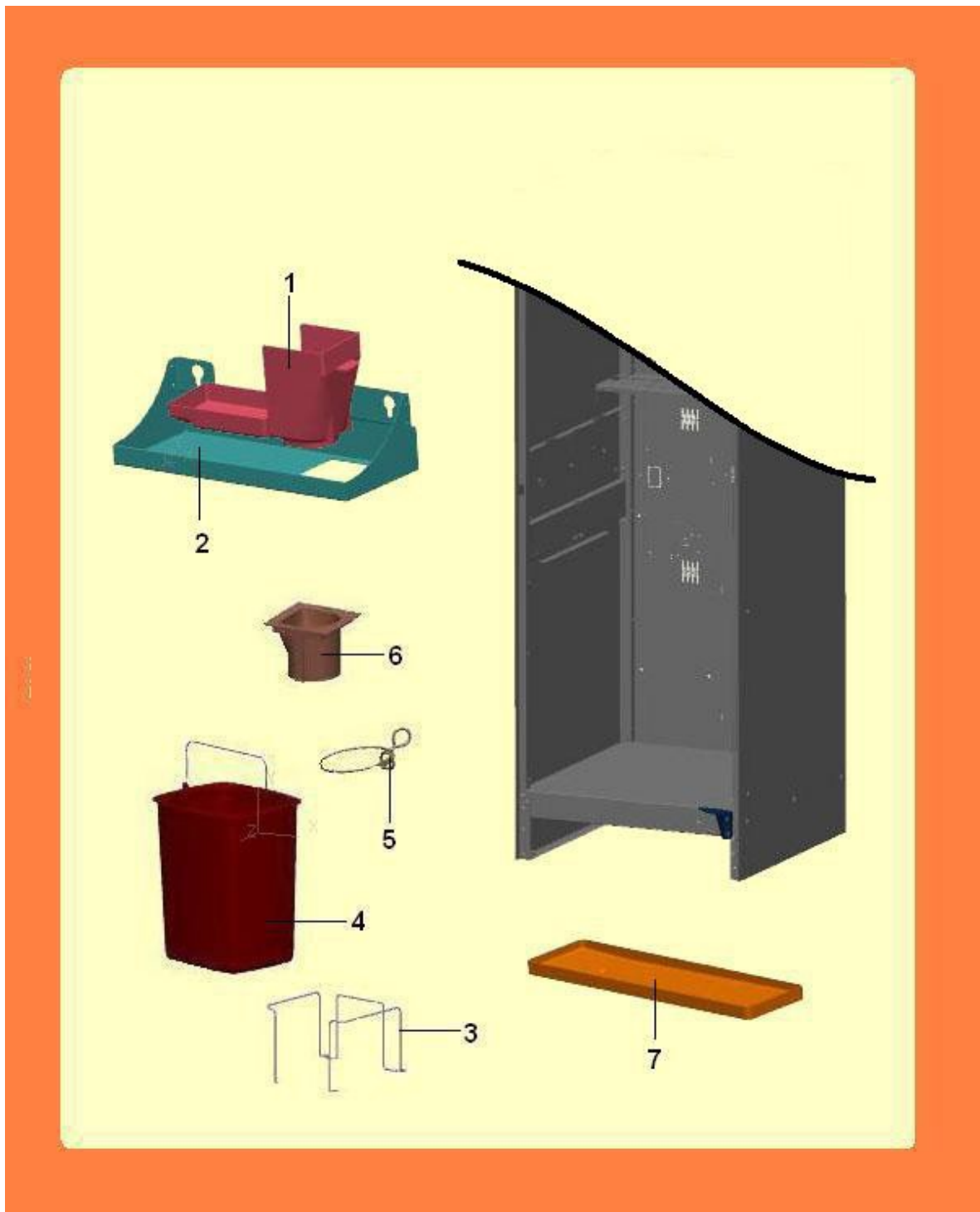
DOOR EXTERNAL COMPONENTS (1009) - Items detail

Position	SPARE PARTS CODE VARIANT	Accessories	DESCRIPTION	For each main item multiply q.ty by
1	01855820		ASS.CORN.LEX.SUP.BV952 REST/08	
2	01923920		ASS.CORN.LEX.INF.95/972REST/08	
3	05270711		LEXAN BVM952 SERENA	
4	01785411-02L09		TAPPO CORNICE LEXAN NERO	
5	01804811		Lexan fixing plate	
6	34511726		elastic plate M5	
7	01785321L09		CORNICE LEXAN SUP.NERO BV952	
8	01785511-02L09		BASE CORNIC. LEXAN SUP. NERO	
9	05231915M09		black cup station window hole	
10	05270411		LEXAN BV95/972 LOVE INF	
11	01785711L09		CORNICE LEXAN INFER. NERO	
12	01856211-01P54		COVER LATO SERRATURA IX BV952	
13	01856311-02P54		BV952 IX hinge side cover	
14	30263821		black panel lower showcase BVM	
15	05232625M00		transp.info panel h=230 BVM951	
16	05233715M00		transp.info upper panel BVM951	
17	30263811		black panel upper showcase BVM	
18	22190616-01		CAVO ALIMENT.BARRA LED C/DIODO	
19	33066316		card spacer	
20	26055416		BARRA 6 LED 260MM 24VDC	
21	26055916		CONDENSATORE 220UF	
100	See Table "KEYPAD - DISPLAY (1010)" - Pag. 212			
200	See Table "INTRODUZIONE E RECUPERO MONETA (985)" - Pag. 208			
300	See Table "LOCK (914)" - Pag. 160			

Tables of group :

-  **Coffee Machines**
-  **BVM 952 - Free Standing**
-  **BV952ES04GG - BVM952 E4S MC DM PD**
-  **CABINET**

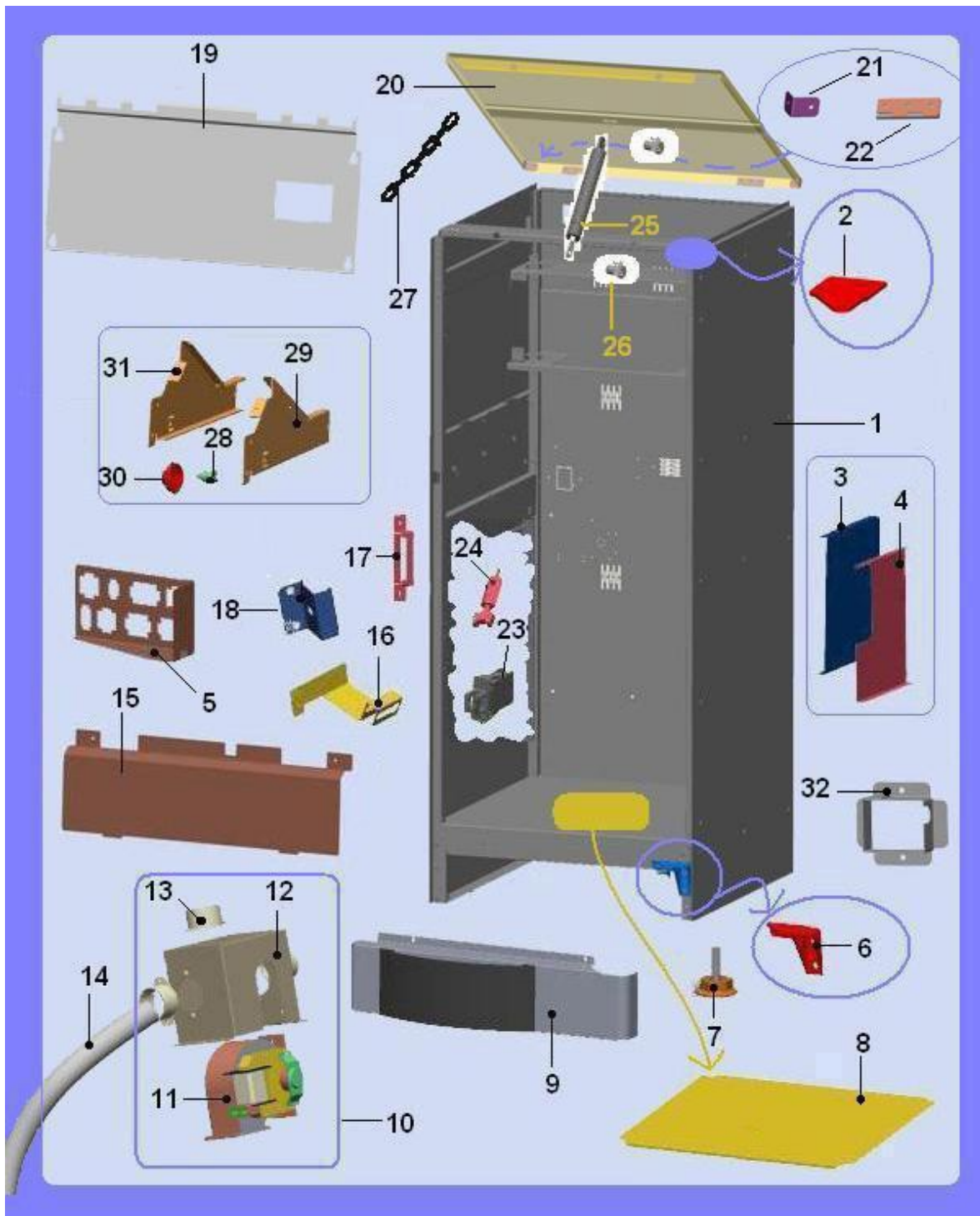
Table: PARTI DI COMPLETAMENTO (927)



PARTI DI COMPLETAMENTO (927) - Items detail

Position	SPARE PARTS CODE VARIANT	Accessories	DESCRIPTION	For each main Item multiply q.ty by
1	05157415		iris waste coffee convoyer	
2	01828511-01		waste coffee box sup BV971 IVS	
3	07034411-01		Bucket spring	
4	05137316		bucket	
5	21056016		waste coffee bag spring	
6	05168115		waist coffe bag spring	
7	05245615M37		BV972 brown express/instant dr	

Table: CABINET AND PARTS (1011)



CABINET AND PARTS (1011) - Items detail

Position	SPARE PARTS CODE VARIANT	Accessories	DESCRIPTION	For each main Item multiply q.ty by
1	01852322-01P48		ASS. CASSONE BVM 952 GRAF	
2	01864411		BV952 upper hinge sheet	
3	01834211-02		COPERTURA SX SUPPORTO CASSETTO	
4	01828211-01		COPERTURA DX SUPPORTO CASSETTO	
5	01828411-01		BV971 IVS connectors plate	
6	01823011-01		BVM971 IVS lower hinge	
7	21057212		foot.assy (m10x40) - -bvm971	
8	01841911P54		BV 971 IVS base protection	
9	01831112-01		BV971 IVS skirting board assy	
10	01831320-01		ASS. ASPIRATORE BVM 972 SOL.	
11	20006316-01		aspirator w/spacer (ant-sir-or	
12	01828741-01		LAM.ASPIRATORE 2 VIE BV972 SOL	
13	05071915		aspiration pipe connection	
14	09031113		28x33 Leviflex pipe	
15	01854111-02		COPERT.SCAT. ELETTRICA BV952	
16	01834511-02		GUIDA x TUBI SCARICO	
17	01844011		Switch support	
18	01828111-02		CARDINE SERRATURA BV 971 IVS	
19	01854211-03		COPERT.POSTERIORE BV952 ES	
20	01853122-01P48		ASS. TETTO BVM 952	
21	01922011		SQUADRETTA PER TETTO	
22	21057116		CERNIERA MOBILETTO BV921	
23	26016726		safety switch	
24	05097215-02M09		Service key XT Clixon black am	
25	12047916		BV952 VAPSINT gas spring	
26	19117811		PERNO MOLLA GAS	
27	21015816		Chainlet assy	
28	12016116		drawer wheel pin	
29	01816211		BV971 IVS right tilting guide	
30	05116416		vega drawer wheel	
31	01816311		BV971 IVS left tilting guide	
32	01890411		Cable power supply box	

Tables of group :


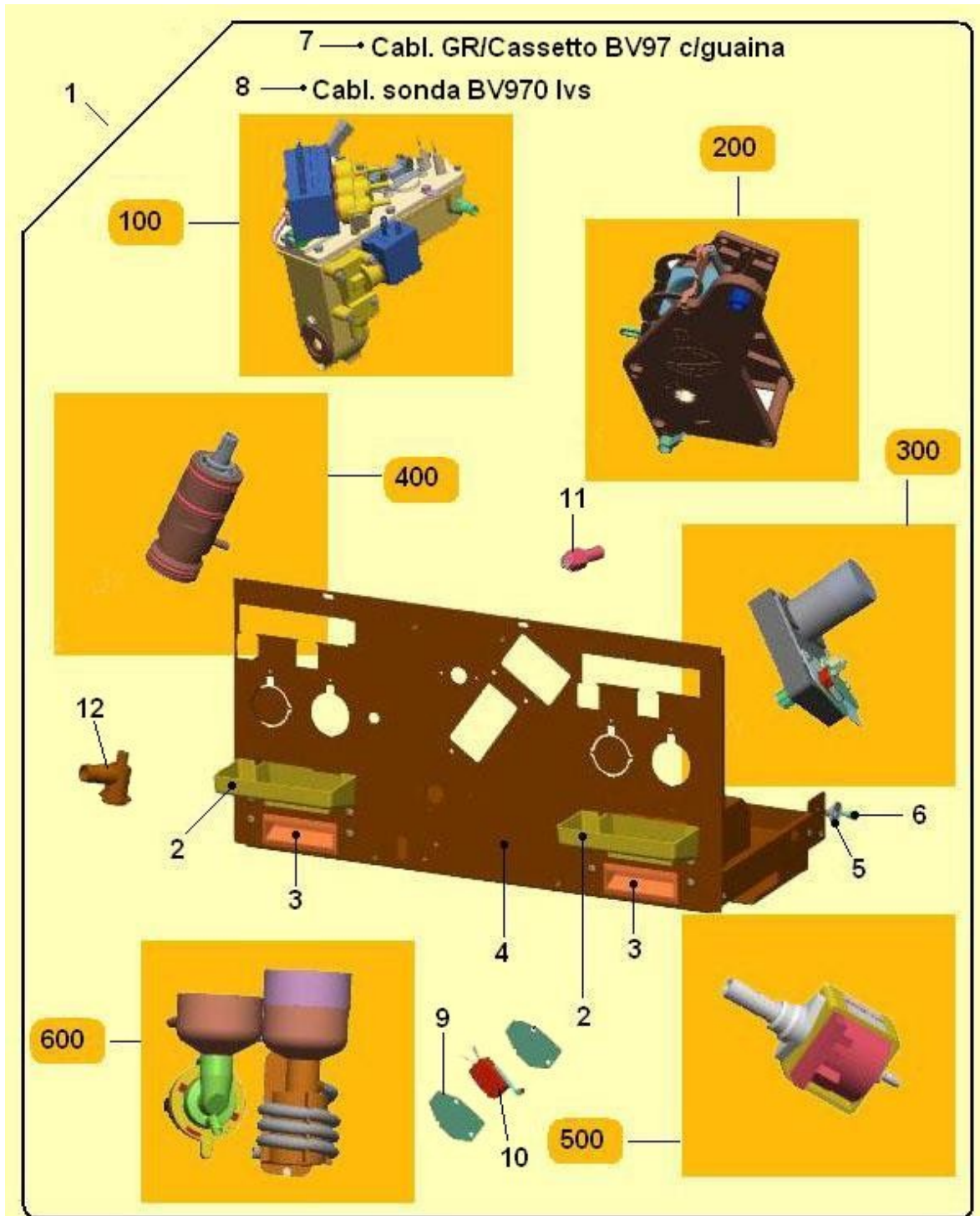
-  **Coffee Machines**
-  **BVM 952 - Free Standing**
-  **BV952ES04GG - BVM952 E4S MC DM PD**
-  **C/O ESPRESSO - SOLUBILI**

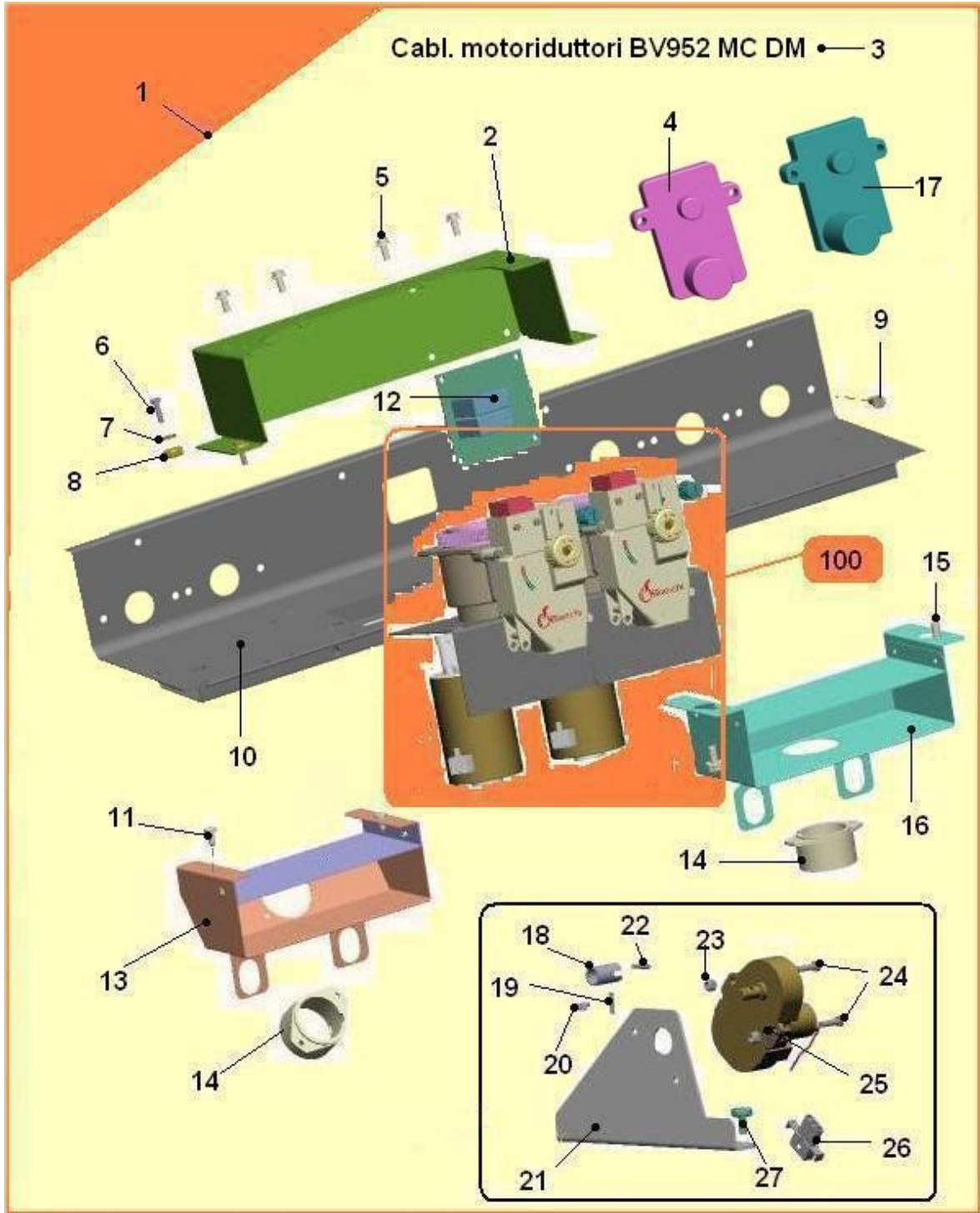
Table: C/O CASSETTO (1012)



C/O CASSETTO (1012) - Items detail

Position	SPARE PARTS CODE VARIANT	Accessories	DESCRIPTION	For each main item multiply q.ty by
1	96067380-03		C/O CASSETTO BVM 952 DC DM	
2	05117415M37		DOUBLE DROP COLLECTION TRAY BR	
3	05238516		PLASTIC HANDLE SOUTHCO BV971	
4	01831432-03		ASS.LAM.CASSETTO BV972 DC DM	
5	05116416		vega drawer wheel	
6	12016116		drawer wheel pin	
7	22177912-02		BV97 drawer gr.cable w/sheath	
8	22178412		BV971 IVS PROBE WIRING	
9	08004111		microswitch insulation	
10	26005136		microswitch with wheel	
11	19056011		group fixing pin	
12	05145815M37		drain nozzle	
100	See Table "ESPRESSO BOILER ASSY W/INSTANT ELECTROVALVES (763)" - Pag. 14			
200	See Table "GRUPPO CAFFE' PLASTICA C/IMBUTO (1005)" - Pag. 210			
300	See Table "MOTORIDUTTORE GRUPPO CAFFE' (483)" - Pag. 138			
400	See Table "PISTON ASSEMBLY (822)" - Pag. 136			
500	See Table "WATER PUMP - FLOW SENSO (830)" - Pag. 74			
600	See Table "COMPONENTI PER MISCELATORI (1015)" - Pag. 214			

Table: GRINDER+DOSER SUPPORT ASSY - PRODUCT CANISTERS MIXERS (1013)



GRI NDER+DOSER SUPPORT ASSY - PRODUCT CANI STERS MIXERS (1013)

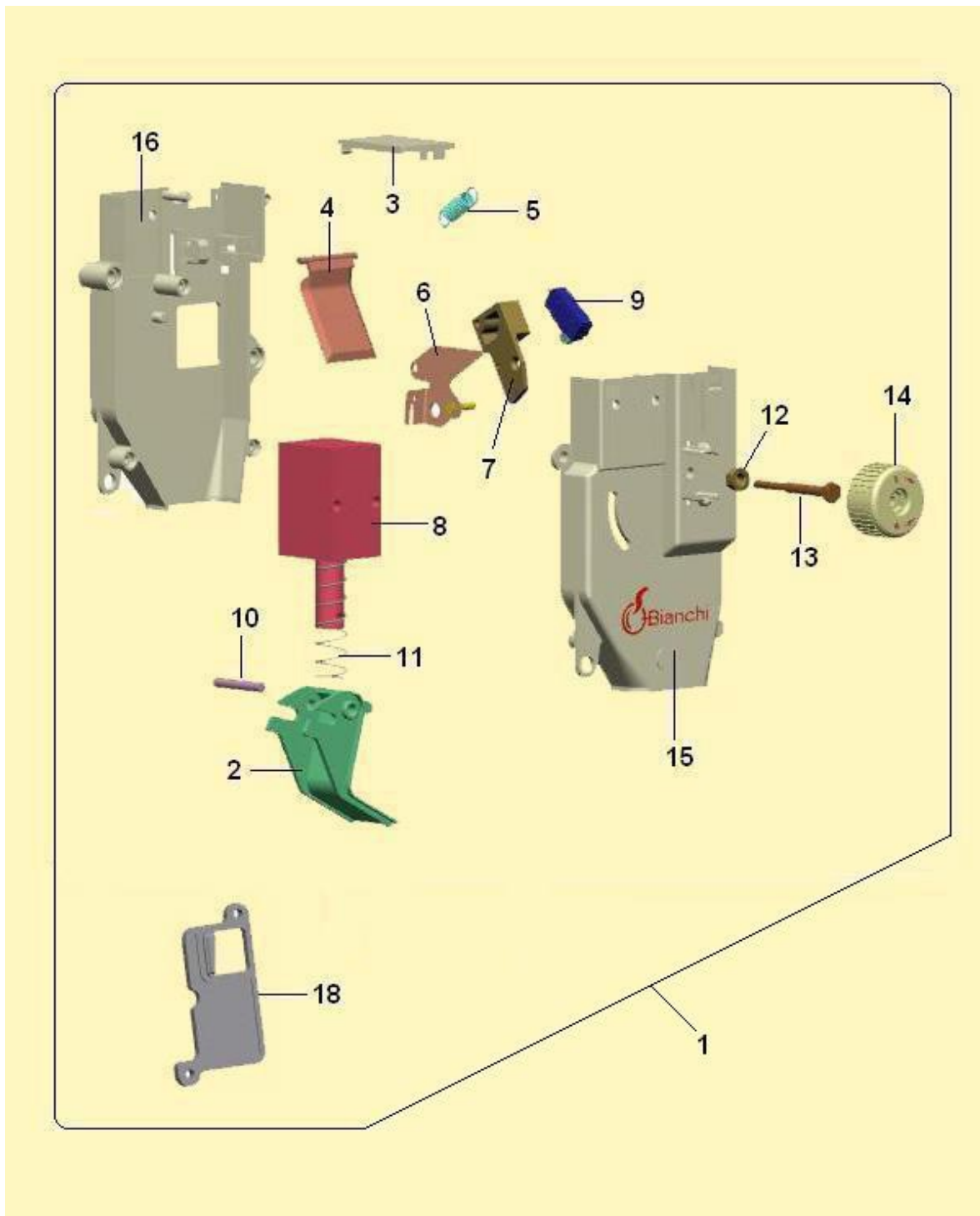
- Items detail

Position	SPARE PARTS CODE VARIANT	Accessories	DESCRIPTION	For each main Item multiply q.ty by
1	96067270-01		C/O MACINADOS/PROD.MC DM BV952	
2	01871811		SOSTEGNO MACININI BVM972 DC DM	
3	22183532		CABL.MOTORIDUTTORI.BV952 MC DM	
4	20016916-02		MOT.24VDC 40G/M wout/CABL.PLS	
5	32123016		VITE TECR M5X12	
6	32055516		M4x16 hex screw	
7	35160316		d. 4,2 IX self locking washer	
8	23004086		cable damper(6*15 - rubber)	
9	32130616		6MAx16 screw	
10	01829121-01		PIASTRA SUPP.SCAT/PROD.BV972DM	
11	32222856		3.9x9.5 self-tapping screw	
12	26050516		Double grinder board	
13	01871712		ASS.SCATOLA SUPP. ASPIRAZ. DM	
14	05071915		aspiration pipe connection	
15	32122916		M5x10 screw	
16	01829021-01		SUPP.SCAT.ASPIRAZION.BV972 DC	
17	20017016-02		100 rpm 24V DC gearmotor w/o c	
18	19068811		regulation lever bush	
19	33053046		3,14 pin	
20	19054411		rivet bush	
21	01760021		PIASTR.SUPP.MOTORE REGOL.2 MAC	
22	33053146		3x16 pin	
23	34110216		4m self-locking nut	
24	32060816		4MAx16 TCscrew	
25	20018426-01		24VDC 12RPM 2,2nF 100V gearmot	
26	23009616		3ways female connector	
27	19043521		fixing knob	
100	See Table "COFFEE GRINDER - DOSER (817)" - Pag. 169			

Tables of group :

-  **Coffee Machines**
-  **BVM 952 - Free Standing**
-  **BV952ES04GG - BVM952 E4S MC DM PD**
-  **ESPRESSO ASSEMBLY**

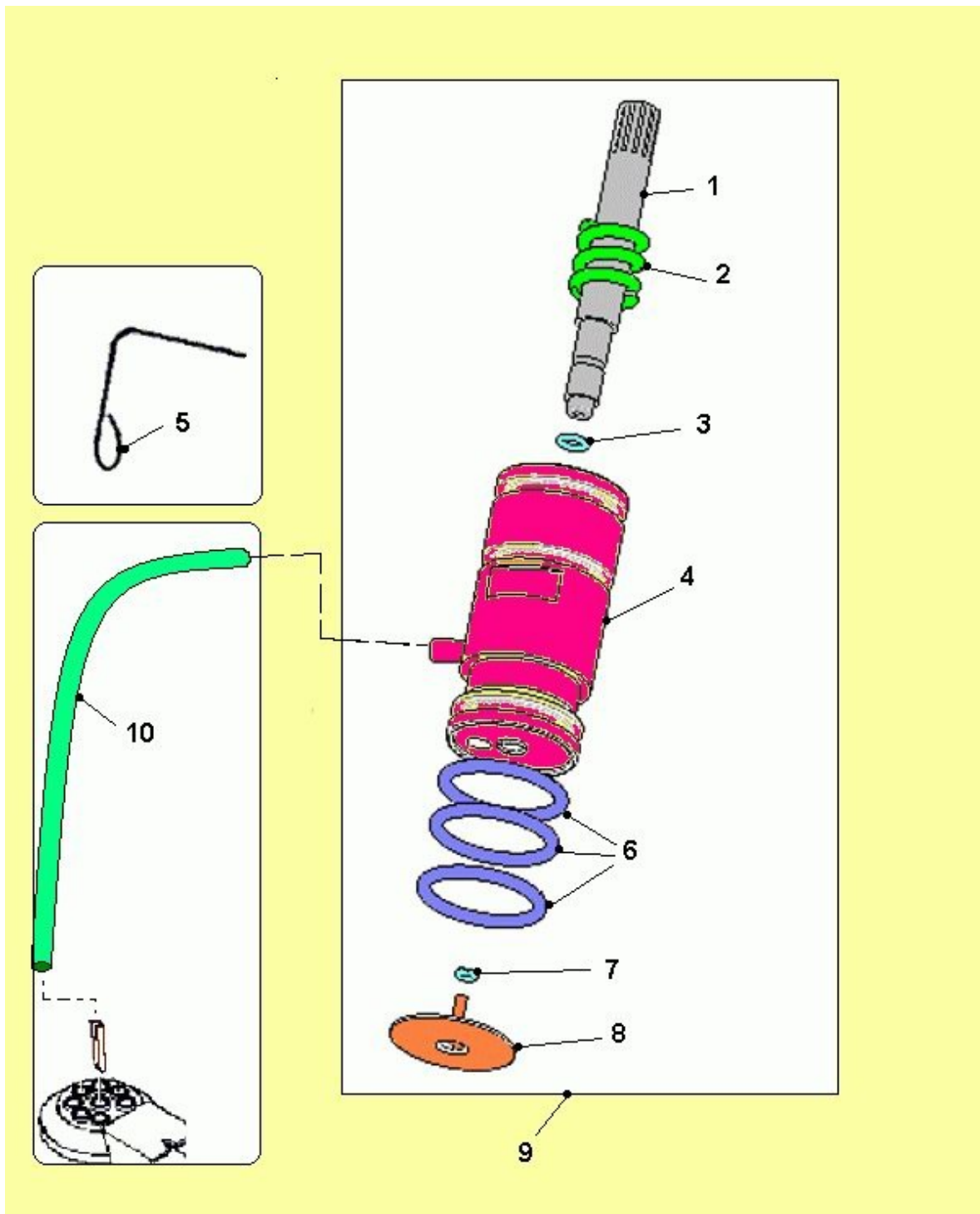
Table: COFFEE DOSER ASSEMBLY (539)



COFFEE DOSER ASSEMBLY (539) - Items detail

Position	SPARE PARTS CODE VARIANT	Accessories	DESCRIPTION	For each main Item multiply q.ty by
1	43002410-02		doser assy with spacer	
2	05135115-01		coffee doser tray	
3	05135025		top cover for doser	
4	05135315		coffee doser mobile wall	
5	07020611		spring	
6	01586212-02		MICRO SUPPORT	
7	05154615		micro. coffee-dos. support	
8	20019146-01		magnet 5% 24v dc	
9	26029616		microswitch with cable(proof)	
10	33051716		4x25 IX parallel pin	
11	07020511-01		magnet spring	
12	34115316		M4 nut with washer	
13	19058911		adjusting screw for micro	
14	05135215		dose adjustment knob	
15	05134815		Doser front cover	
16	05134925		Doser rear cover	
18	05155615-01		spacer	

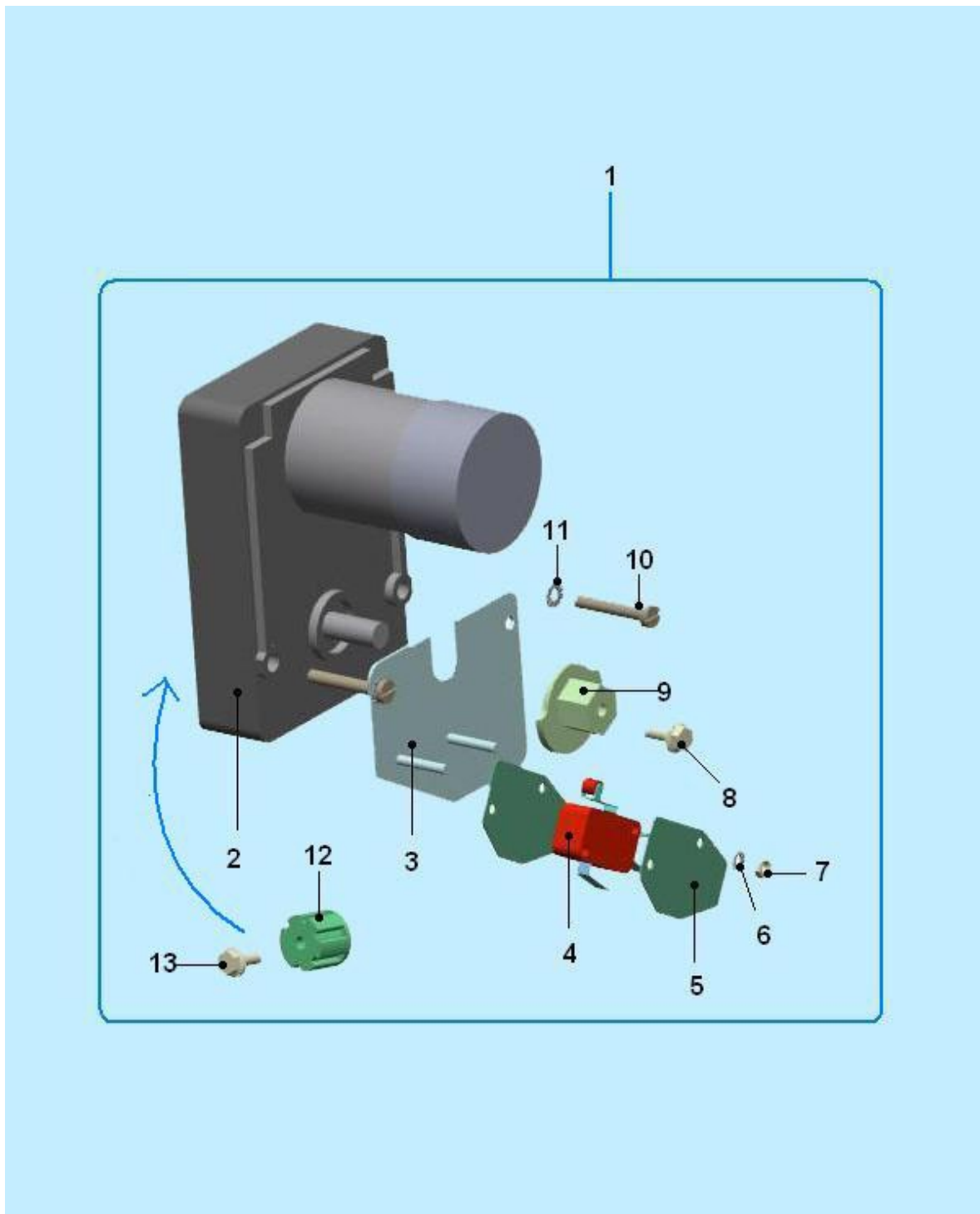
Table: PISTON ASSEMBLY (822)



PISTON ASSEMBLY (822) - Items detail

Position	SPARE PARTS CODE VARIANT	Accessories	DESCRIPTION	For each main Item multiply q.ty by
1	05107725		piston filter knob	
2	07017611		piston spring	
3	36210916		OR2021 gasket	
4	05148032-01		Piston with valve seat	
5	07017511		piston block rod	
6	36211816		OR4112 gasket	
7	36212116		OR2010 gasket	
8	16014812		filter assy	
9	05138130-01		Cegasa coffee-gr. piston assy	
10	09087873M57		black am 3x6 silicon pipe	

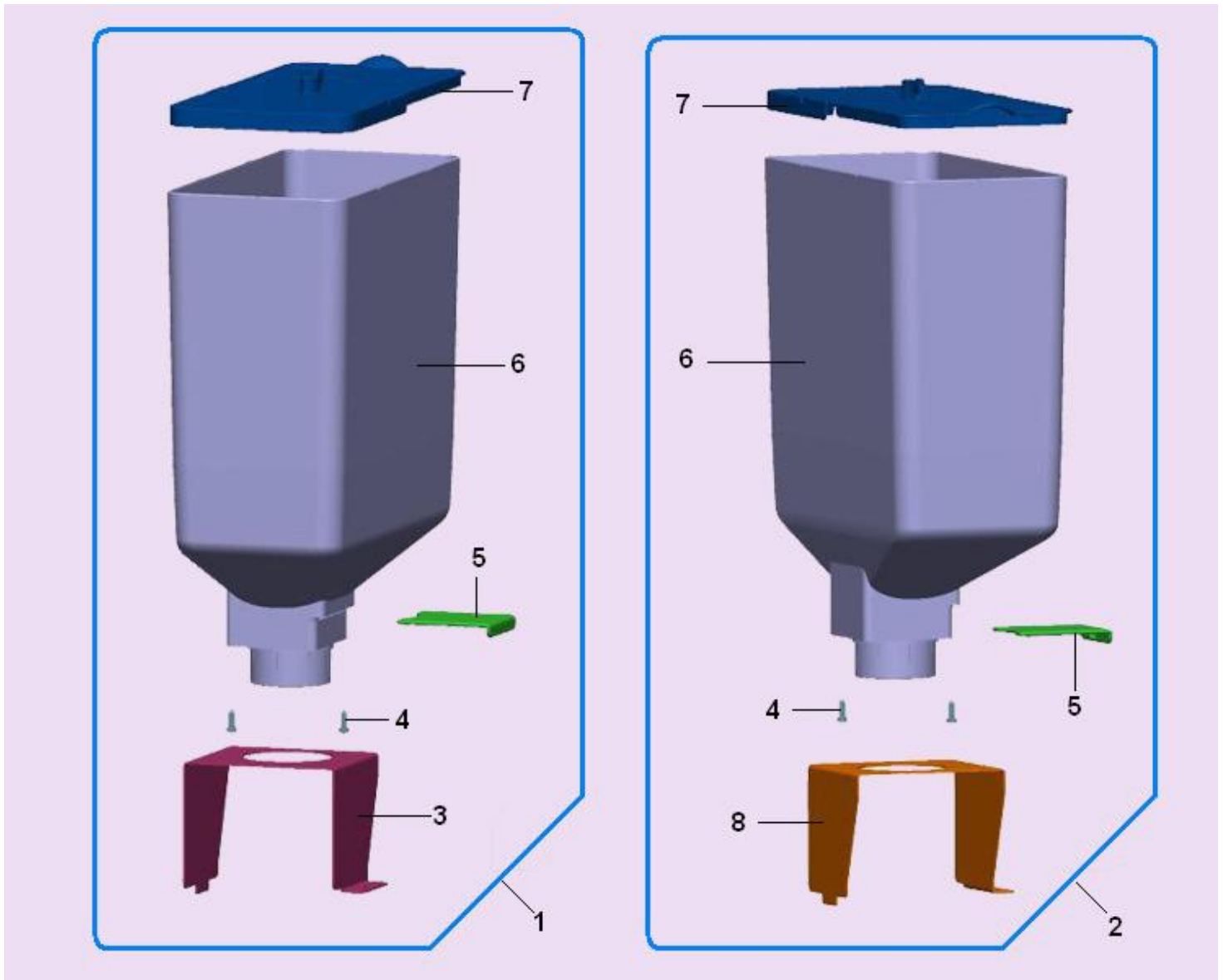
Table: **MOTORI DUTTORE GRUPPO CAFFE' (483)**



MOTORI DUTTORE GRUPPO CAFFE' (483) - Items detail

Position	SPARE PARTS CODE VARIANT	Accessories	DESCRIPTION	For each main item multiply q.ty by
1	20016810-03		Motor assy w/24V cable coffee	
2	20014946-02		24VDC12rpm cof.group gearmotor	
3	01484212		bracket for micro	
4	26005126		microswitch with wheel	
5	08004111		microswitch insulation	
6	35160216		self-locking diam.3.2	
7	34102716		M3 hexagonal nut	
8	32050516		screw 4 MAX10	
9	05110915-01M09		CAMMA ROTAZ. GRUPPO NERO	
10	32061016		4M x 25 screw	
11	35160316		d. 4,2 IX self locking washer	
12	41081216		PLASTIC JOINT COFFE GROUP	
13	32050516		screw 4 MAX10	

Table: TRAMOGGIA CAFFE' DX/SX (1014)



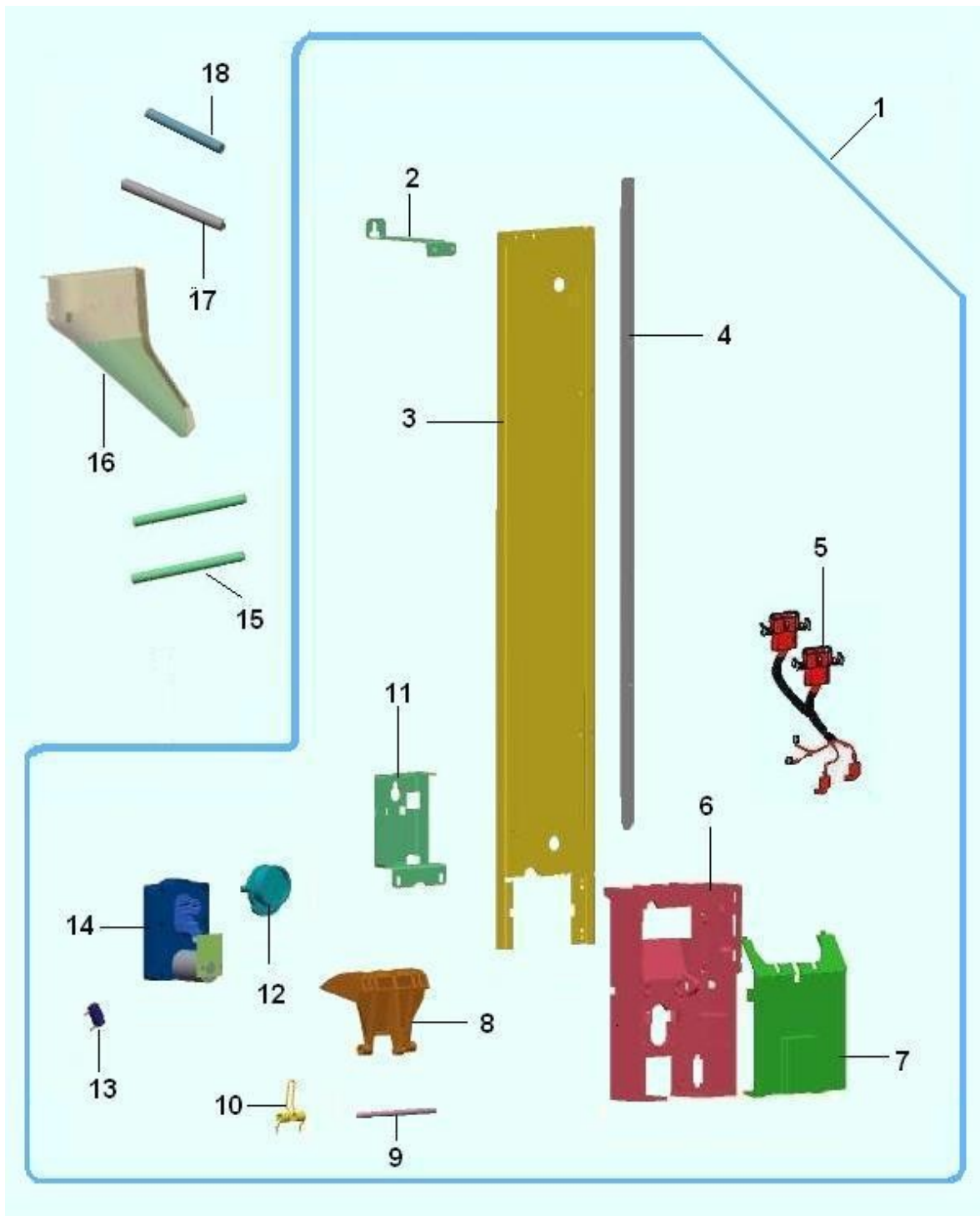
TRAMOGGIA CAFFE' DX/SX (1014) - Items detail

Position	SPARE PARTS CODE VARIANT	Accessories	DESCRIPTION	For each main Item multiply q.ty by
1	05251240		ASS.TRAMOGG.CAFFE SX BV952 DM	
2	05251230		ASS.TRAMOGG.CAFFE DX BV952 DM	
3	01871921		SUPP. SX x TRAMOGGIA BVM	
4	32010336		VITE A/F 4,0x12 TCB UNI 9707	
5	05147915		separator for sprint beans con	
6	05251315M00		TRAMOGGIA CAFFE BVM972	
7	05255015M00		COPERCH. TRAMOGGIA DX-SX BV972	
8	01871911		SUPP. DX x TRAMOGGIA BVM	

Tables of group :

-  **Coffee Machines**
-  **BVM 952 - Free Standing**
-  **BV952ES04GG - BVM952 E4S MC DM PD**
-  **PRODUCT DELIVERY**

Table: **DISTRIBUTORE PALETTE (864)**



DISTRIBUTORE PALETTE (864) - Items detail

Position	SPARE PARTS CODE VARIANT	Accessories	DESCRIPTION	For each main item multiply q.ty by
1	91007330-04		C/O DIST.PALET.BV952 L=90/105	
2	01839821		BV952 spoon dispenser support	
3	01837721-03		BV951 spoon dispenser L=90-105	
4	01837821-03P54		BV951 L=90 spoon disp. spacer	
5	22180112		BV951/71 pls spoon disp.90/105	
6	05241315-02M05		SCATOLA PALETTIERA GRIGIO	
7	05241615M05		grey spoon box cover	
8	05149015-02M37		ESPULS.PALETTE MARRONE IRIS ES	
9	19059811-01		Iris spoons ejector shaft	
10	07021731		Cup disp.90/105foot spring 1,3	
11	01839912		IVS spoon disp.frame w/inserts	
12	05241515-02M00		CAMMA DI MOVIMENTAZ.PALETTIERA	
13	26029626		microswitch(proof)	
14	20020926		24DC 25rpm gearmotor	
15	12047111		spoons ejection tube	
16	05241415-02M00		SCIVOLO PALETT.CADUTA DX BV951	
17	12013611-02		Metal weight for spoons 105mm	
18	12004611-01		Metal weight for spoons 90mm	

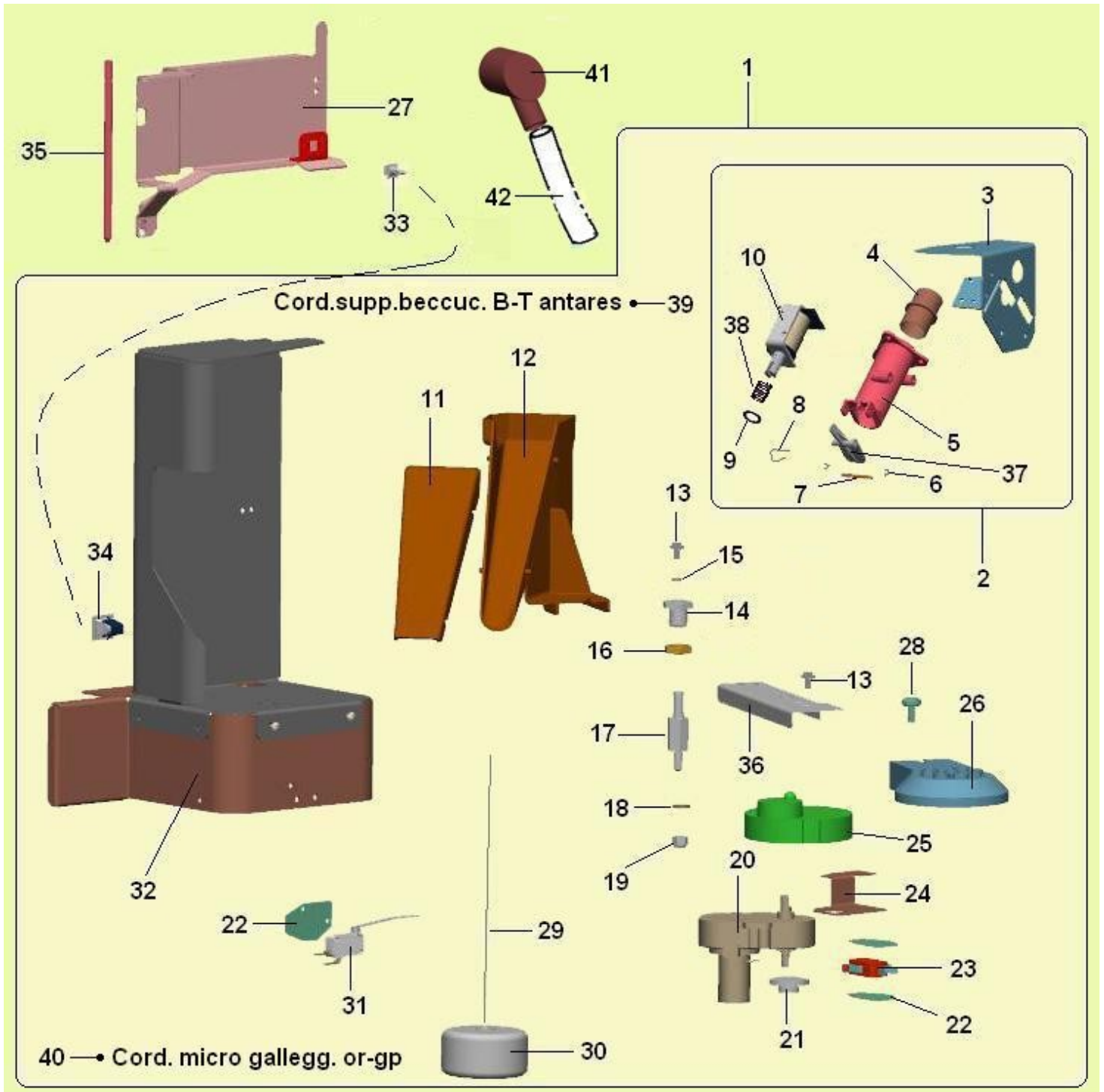
Table: CUPS STATION (915)



CUPS STATION (915) - Items detail

Position	SPARE PARTS CODE VARIANT	Accessories	DESCRIPTION	For each main Item multiply q.ty by
1	05108320		black cup station	
2	05103615		cup station door	
3	05000315M09		black cup fork	
4	05134415		delivery area plate	
5	05103225		black cup station	
6	01452011-01		Dispensing chamber tanksupport	
7	05103525		black cup station lock-lever	
8	05103325		black cup station lever support	
9	05103425		left cup station support black	
10	05103715-01M37		drops collection tray brown	
11	05103815-01		dispensing chamber funnel	
12	07017311		catch lever spring	
13	43127110		ASS.SUPP.VANO EROG.DX+SX	

Table: SUGAR NOZZLES SUPPRT ASSY (1016)



SUGAR NOZZLES SUPPRT ASSY (1016) - Items detail

Position	SPARE PARTS CODE VARIANT	Accessories	DESCRIPTION	For each main Item multiply q.ty by
1	96067460		BV972 sugar nozzle supp.assy	
2	96032820		Ant.sugar supply support assy	
3	01519622		Antares sugar flange supp.assy	
4	05096215		sugar pipe connection	
5	05104715-02M37		Sugar supply brown flange	
6	37000816		seeger ring	
7	00110823		lever's fulcrum pin	
8	00110824		electromagnet ring	
9	35156626		Ø 9.2 plain washer	
10	20008946		24V DC 15% magnet	
11	05138025		brown sugar slide cover	
12	05137925		antares brown sugar slide	
13	32050416		M4x8 screw	
14	19057411		nozzle arm bush	
15	35155216		plain washer for 4M screw	
16	04014111		hexagonal nut 1/4GAS	
17	19057311-04		Antares nozzle arm pin	
18	35155416		6.4 plain washer	
19	34110416		6MA hex nut	
20	20018816-01		24V 2,2nF 100V gearmotor	
21	05110715		orion micro cam	
22	08004111		microswitch insulation	
23	26005126		microswitch with wheel	
24	01630011-01		micro support	
25	05089715M37		nozzle drive cam brown	
26	05089925-01M37		8 pos.nozzles supp.flange PA66	
27	01835012-01		ASS.SUPP.ROTAZ.ZUCCH.UGELLI	
28	19043521		fixing knob	
29	22021116		0,80 nylon wire	
30	05074412		floater assembly	
31	26013726		too full microswitch	
32	01831552-02		BV952/972 nozzle support assy	
33	33072716		Richco DCS-4 latch pin	
34	33072816		Richco DCS-7 release spring	
35	12017631		BV931 cup disp.rotation pin	
36	01509811-01		Antares nozzles arm support	
37	05123715		doser lever with hole	
38	07016911		sugar doser spring	
39	22111312		nozzle support cable low volt.	
40	22130312		orion GP micro floater cable	

41 05123015M37

BROWN SUGAR NOZZLE

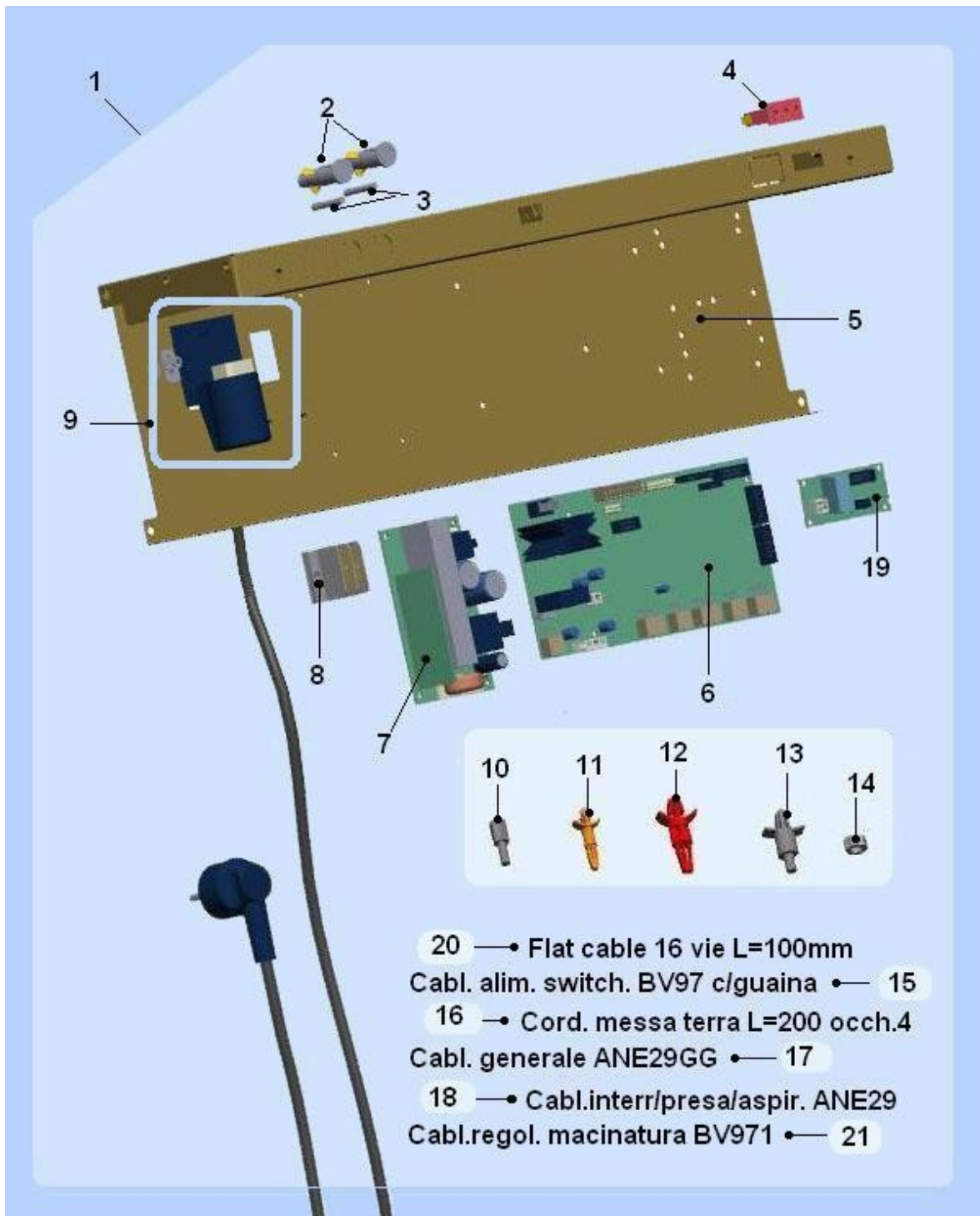
42 09027653

20x26 PVC pipe

Tables of group :

-  **Coffee Machines**
-  **BVM 952 - Free Standing**
-  **BV952ES04GG - BVM952 E4S MC DM PD**
-  **ELECTRICS & ELECTRONICS**

Table: **ELECTRIC PANEL (1017)**



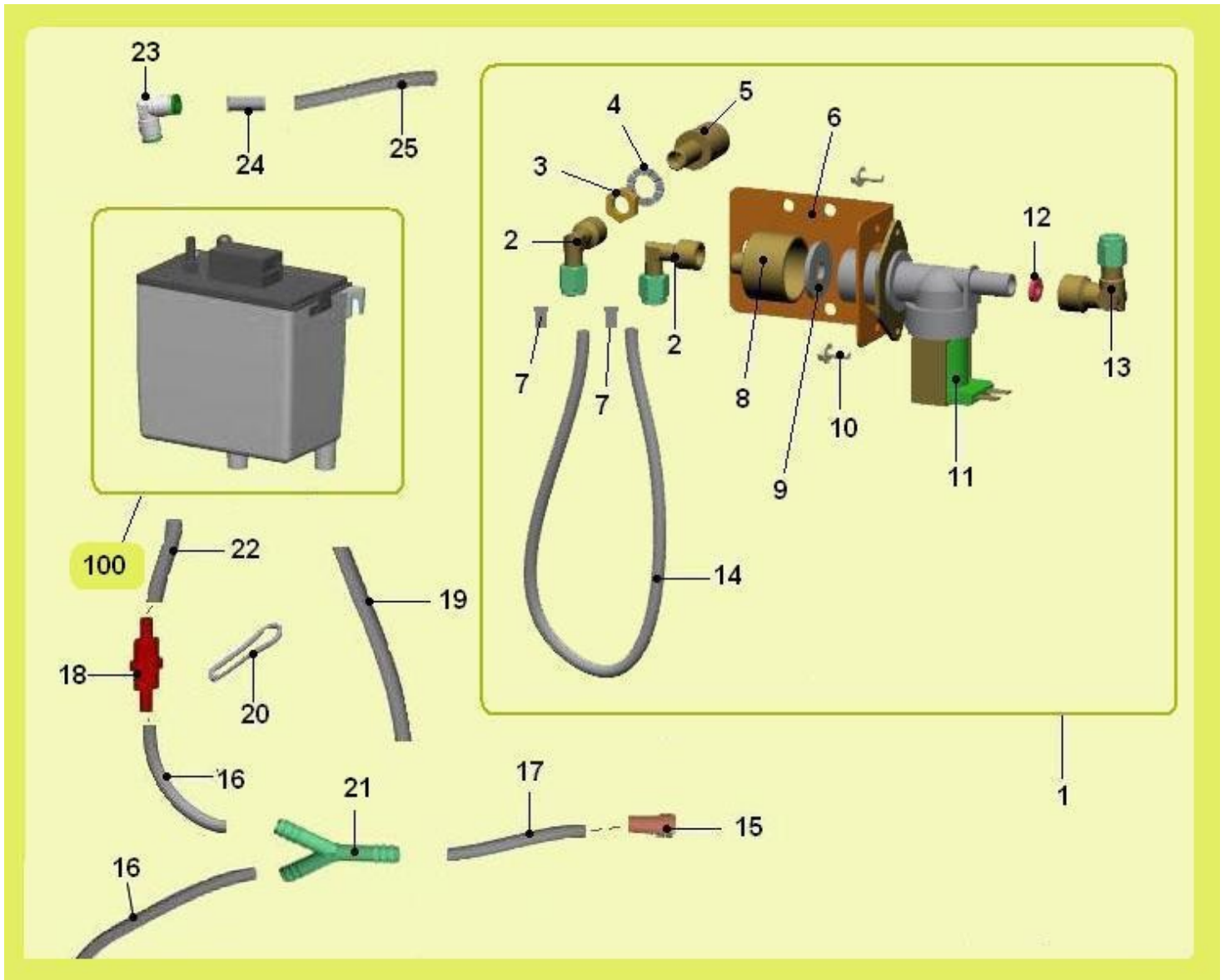
ELECTRIC PANEL (1017) - Items detail

Position	SPARE PARTS CODE VARIANT	Accessories	DESCRIPTION	For each main Item multiply q.ty by
1	94033940-01		ASS.SCATOLA ELETT. BV952 MC DM	
2	23017316		6.3x32 snap-type fuse holder	
3	23014916		10 Amp. fuse	
4	23014416		socket 2P+G	
5	01852212-03		ASS.LAM.SCAT.ELETTR.BV952C/INS	
6	26048416-01		Blue SMT micro256K POWER board	
7	26048316		switch powersup230/110Vac-24Vd	
8	23038816		BVM plugs assy	
9	26026326		net filter quick connection wi	
10	33071926		DISTANZIALI METALLO M/F M3 L.	
11	33072046		DISTANZIALI PLS M/F M3 L. 7,9	
12	05195216		board spacer	
13	33065526		L=10 card spacer	
14	33065726		4M nut for board spacer	
15	22177512-01		BV97pow.sup.swit.cable w/shear	
16	22043022		GROUND WIRING L=200	
17	22189612		CABL. GENERALE ANE29GG	
18	22189712		CABL. INTERR/PRESA/ASPIR.ANE29	
19	26048616		Grind.Calibr.power board expan	
20	22175412		16pins flat cable 100mm	
21	22175312		bvm971 grinder auto calibrat.c	

Tables of group :

-  **Coffee Machines**
-  **BVM 952 - Free Standing**
 -  **BV952ES04GG - BVM952 E4S MC DM PD**
 -  **HYDRAULIC COMPONENTS**

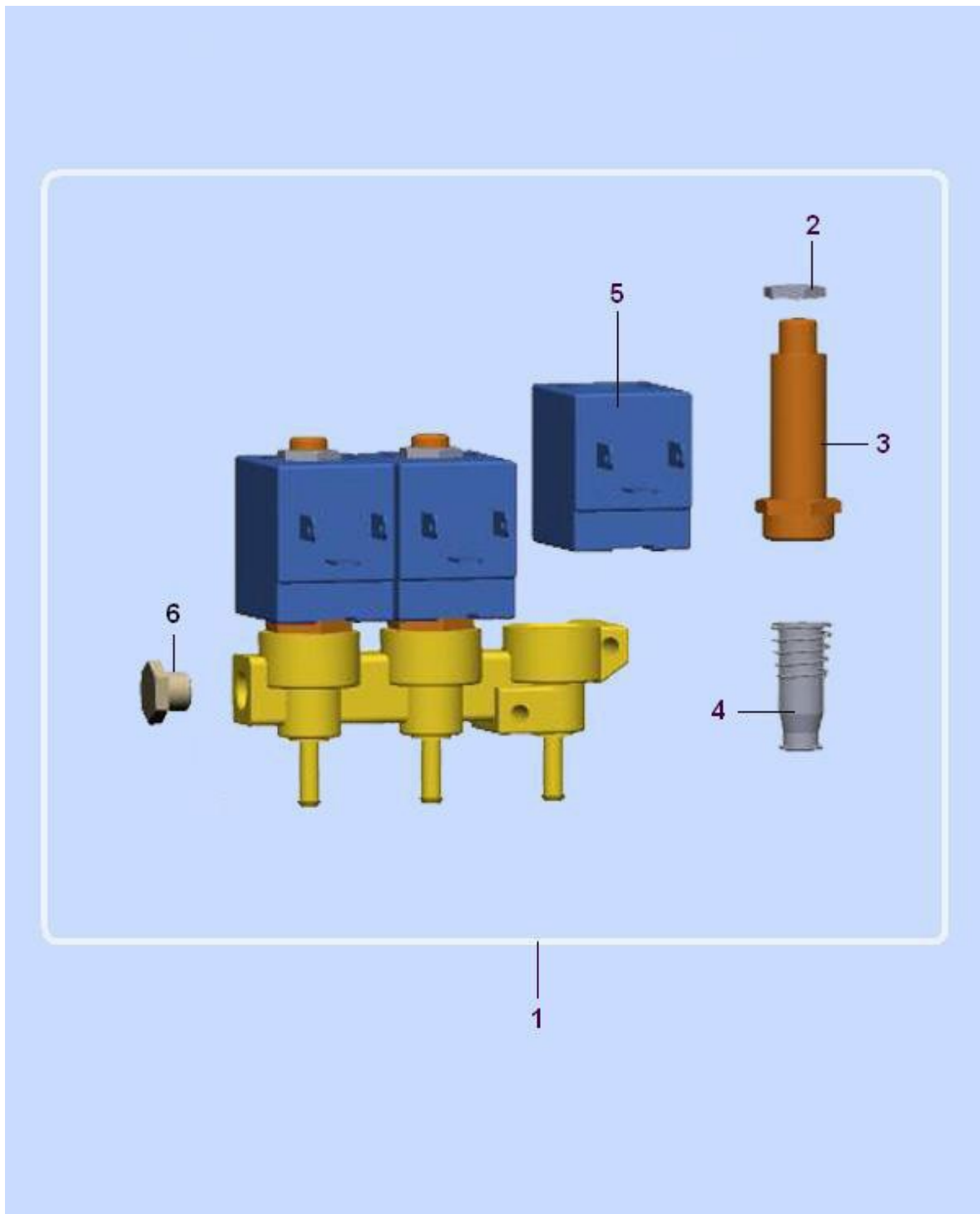
Table: COLLEGAMENTI IDRAULICI - ELETTROV. INGRESSO ACQUA (1018)



COLLEGAMENTI IDRAULICI - ELETTROV. I INGRESSO ACQUA (1018) - Items detail

Position	SPARE PARTS CODE VARIANT	Accessories	DESCRIPTION	For each main Item multiply q.ty by
1	25032560-01		ASS. SUP. E-VALV. BVM MC/DC	
2	04036816		elbow connection	
3	04014131		hexagonal nut 1/8GAS	
4	35160716		washer	
5	04040716		1/8 - 3/8 straight connection	
6	01525121-01		Brita e.v. support plate	
7	19004326		reinforcing bush	
8	04000131		3/4 GF 1/8 GM connection	
9	05111016		Ø 25,5 silicone plain gasket	
10	32050516		screw 4 MAX10	
11	25000146		inlet water electrovalve 24v d	
12	04035526		connection	
13	04033236		turning elbow connection	
14	09085423		4x6 teflon pipe	
15	05036515		drain tube plug	
16	09087823M57		5x9 silicon pipe black am	
17	09027673		PVC pipe section 9x12	
18	16014316		water filter	
19	09027623		12x16 L=700 PVC pipe	
20	07010711		clapper	
21	05240015M00		3ways connector 9mm ext.	
22	09040021		8x12 silicone transp.pipe	
23	04041416		quick-release connection D=6	
24	19004326		reinforcing bush	
25	09085423		4x6 teflon pipe	
100	See Table "AIR BREAK ASSY W/MICRO SW (784)" - Pag. 192			

Table: COMPONENTI EL-VALV. 2 VIE DC OLAB (1019)



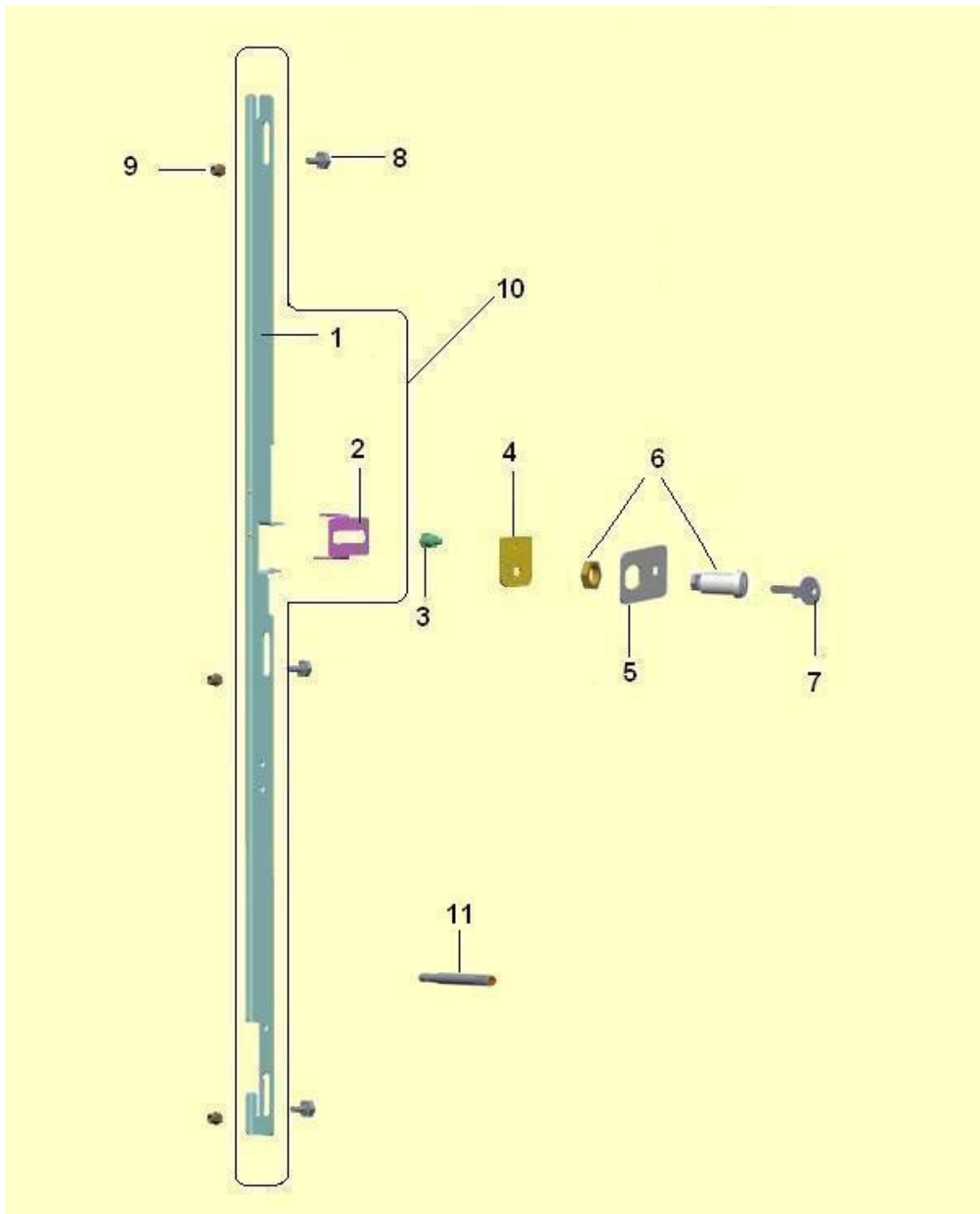
COMPONENTI EL-VALV. 2 VIE DC OLAB (1019) - Items detail

Position	SPARE PARTS CODE VARIANT	Accessories	DESCRIPTION	For each main Item multiply q.ty by
1	25019416-01		24V DC 3EV block two-ways elec	
2	43050616			
3	41037316		OLAB armature tube 2W	
4	41037216		OLAB plunger 2W	
5	25019416B		electrovalve coil 25019416	
6	43031516		Threaded cap 1/8NICH.6084/2N	

Tables of group :

-  **Coffee Machines**
-  **BVM 952 - Free Standing**
 -  **BV952ES05GG - BVM952 E5S MC DM PD**
 -  **DOOR**

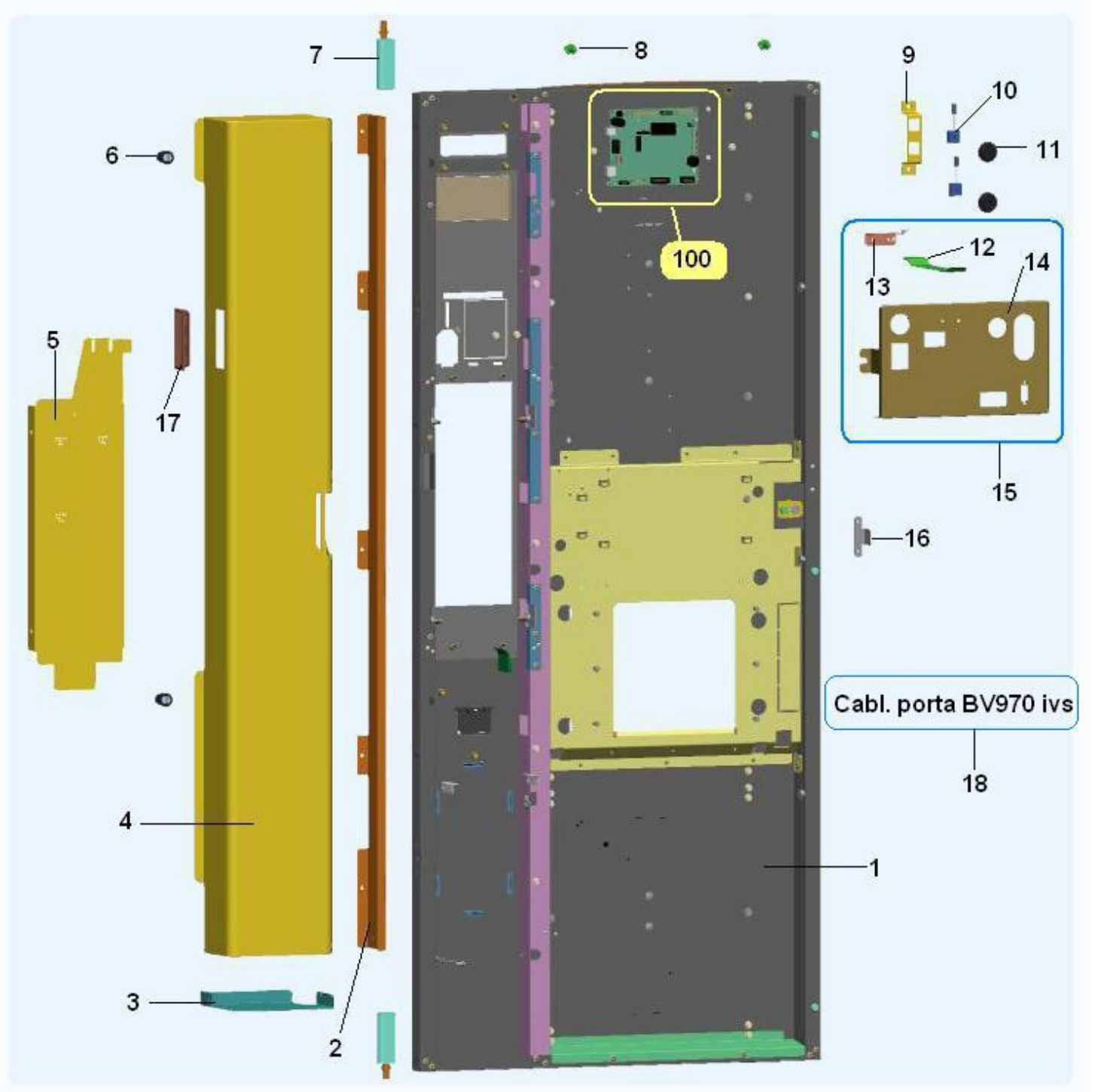
Table: LOCK (914)



LOCK (914) - Items detail

Position	SPARE PARTS CODE VARIANT	Accessories	DESCRIPTION	For each main item multiply q.ty by
1	01826131		door lock rod	
2	01826211-01		BV971 rod moving plate	
3	12016116		drawer wheel pin	
4	01768221		BVM971 Rielda lock hook	
5	01904811		BV952/972 lock reinforcement	
6	41029616		Rielda standard lock	
7	41029836		Rielda's lock key EMK handle	
8	19055521		lock rod screw	
9	34118416		INSERTO FILM 5 ESAG.	
10	01857350		ASS. ASTA SERRATURA	
11	05107735M37		brown drop tray knob	

Table: DOOR INTERNAL COMPONENTS (983)



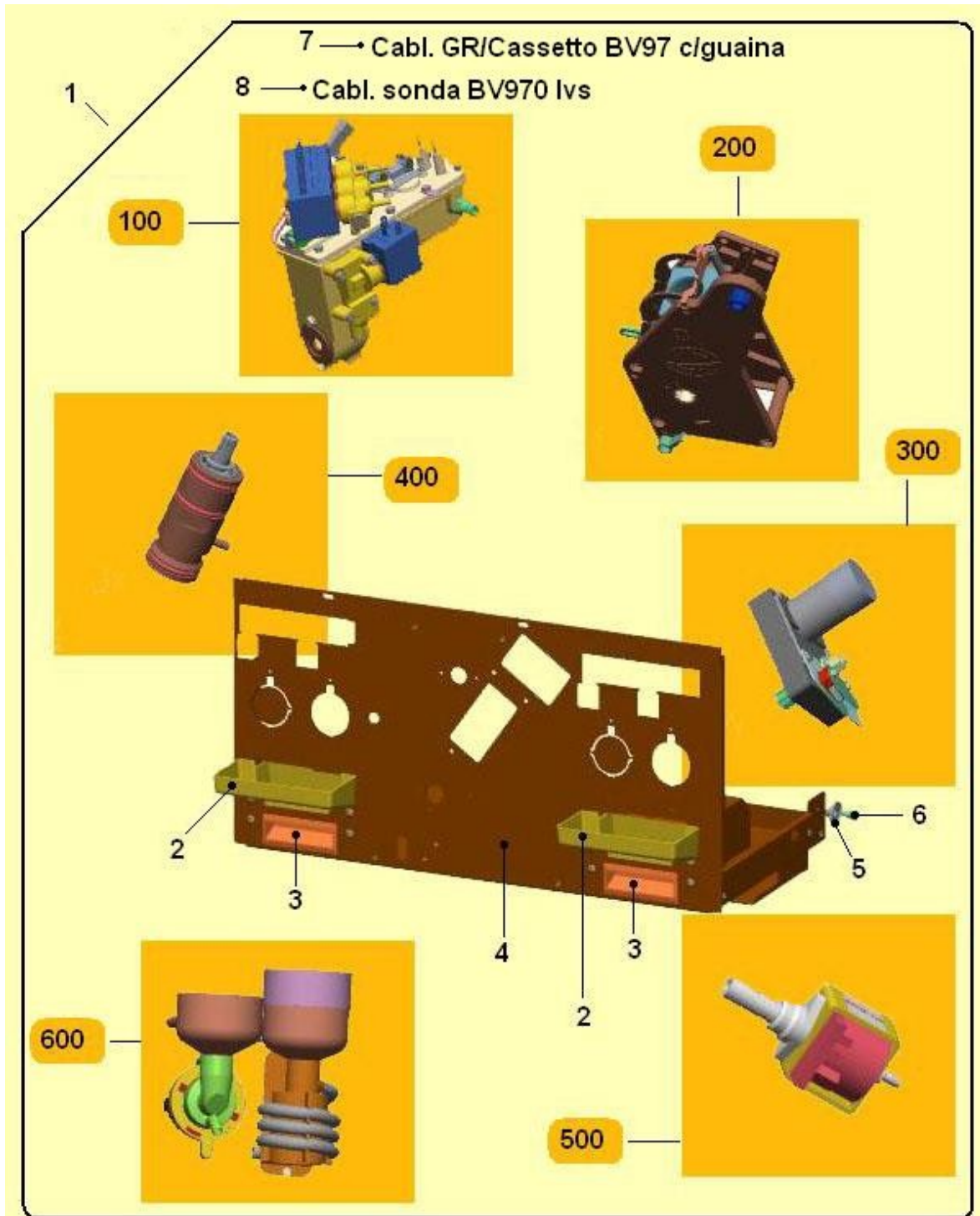
DOOR INTERNAL COMPONENTS (983) - Items detail

Position	SPARE PARTS CODE VARIANT	Accessories	DESCRIPTION	For each main Item multiply q.ty by
1	01855122-01		BVM952 riveted door assy	
2	01856011		BV952 pay system cover stirrup	
3	01826411-01		Payment system bottom protect.	
4	01856111-01		COPERTURA SISTEMA PAGAM.BV952	
5	01825812-01		BVM972 coin mech. support assy	
6	20022316		Cup container door round magne	
7	21011042		BV971 IVS hinge guide assy	
8	19117016-01		BVM952 roof pin	
9	01641411		ANT-IMQ service button support	
10	26019482		service button	
11	05232315M18		red changegiver button	
12	01812611-01		Cup turret holder	
13	01812911-01		SQUADR.FERMO ROTAZ. TAMBURO	
14	01812211-01		COPERTURA SCHEDA CPU	
15	01813012-01		CPU board cover assy	
16	01827311-01		BV971 switch plate	
17	05238516		PLASTIC HANDLE SOUTHCO BV971	
18	22177812-01		BV970 IVS door wiring	
100	See Table "MASTER BOARD - from serial number 07335378" - Pag. 182			

Tables of group :

-  **Coffee Machines**
-  **BVM 952 - Free Standing**
-  **BV952ES05GG - BVM952 E5S MC DM PD**
-  **C/O ESPRESSO - SOLUBILI**

Table: C/O CASSETTO (920)



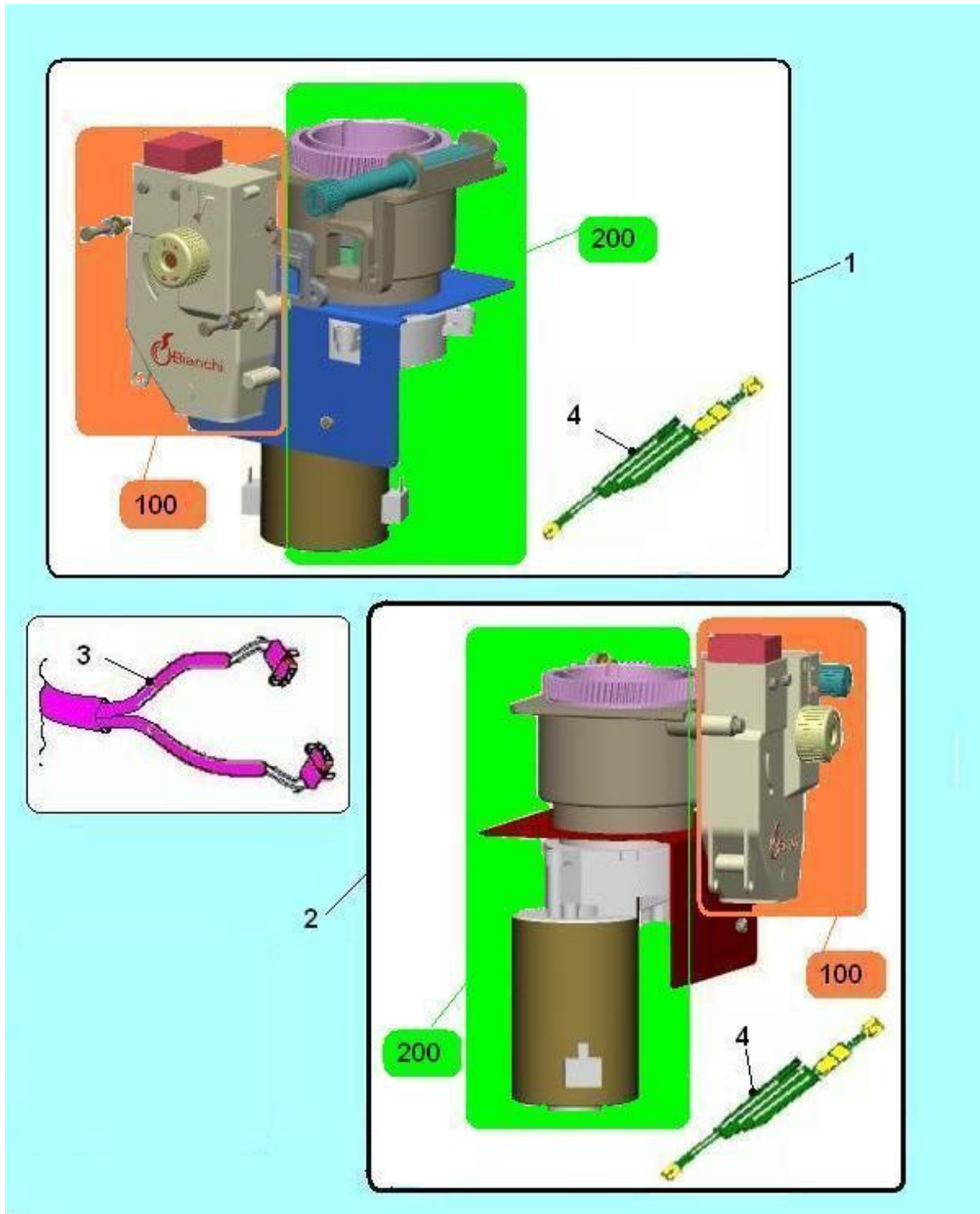
C/O CASSETTO (920) - Items detail

Position	SPARE PARTS CODE VARIANT	Accessories	DESCRIPTION	For each main item multiply q.ty by
1	96069910-03		C/O CASSETTO BV952 MC DM E5S	
2	05117415M37		DOUBLE DROP COLLECTION TRAY BR	
3	05238516		PLASTIC HANDLE SOUTHCO BV971	
4	01831432-03		ASS.LAM.CASSETTO BV972 DC DM	
5	05116416		vega drawer wheel	
6	12016116		drawer wheel pin	
7	22177912-02		BV97 drawer gr.cable w/sheath	
8	22178412		BV971 IVS PROBE WIRING	
100	See Table "ASS. CALDAIA ESPRESSO-SOLUBILE 5 EL-VALV. (921)" - Pag. 64			
200	See Table "GRUPPO CAFFE' PLASTICA C/IMBUTO (1005)" - Pag. 210			
300	See Table "MOTORIDUTTORE GRUPPO CAFFE' (483)" - Pag. 138			
400	See Table "PISTON ASSEMBLY (822)" - Pag. 136			
500	See Table "WATER PUMP - FLOW SENSO (830)" - Pag. 74			
600	See Table "MIXERS COMPONENTS (923)" - Pag. 200			

Tables of group :

-  **Coffee Machines**
-  **BVM 952 - Free Standing**
 -  **BV952ES05GG - BVM952 E5S MC DM PD**
 -  **ESPRESSO ASSEMBLY**

Table: COFFEE GRINDER - DOSER (817)



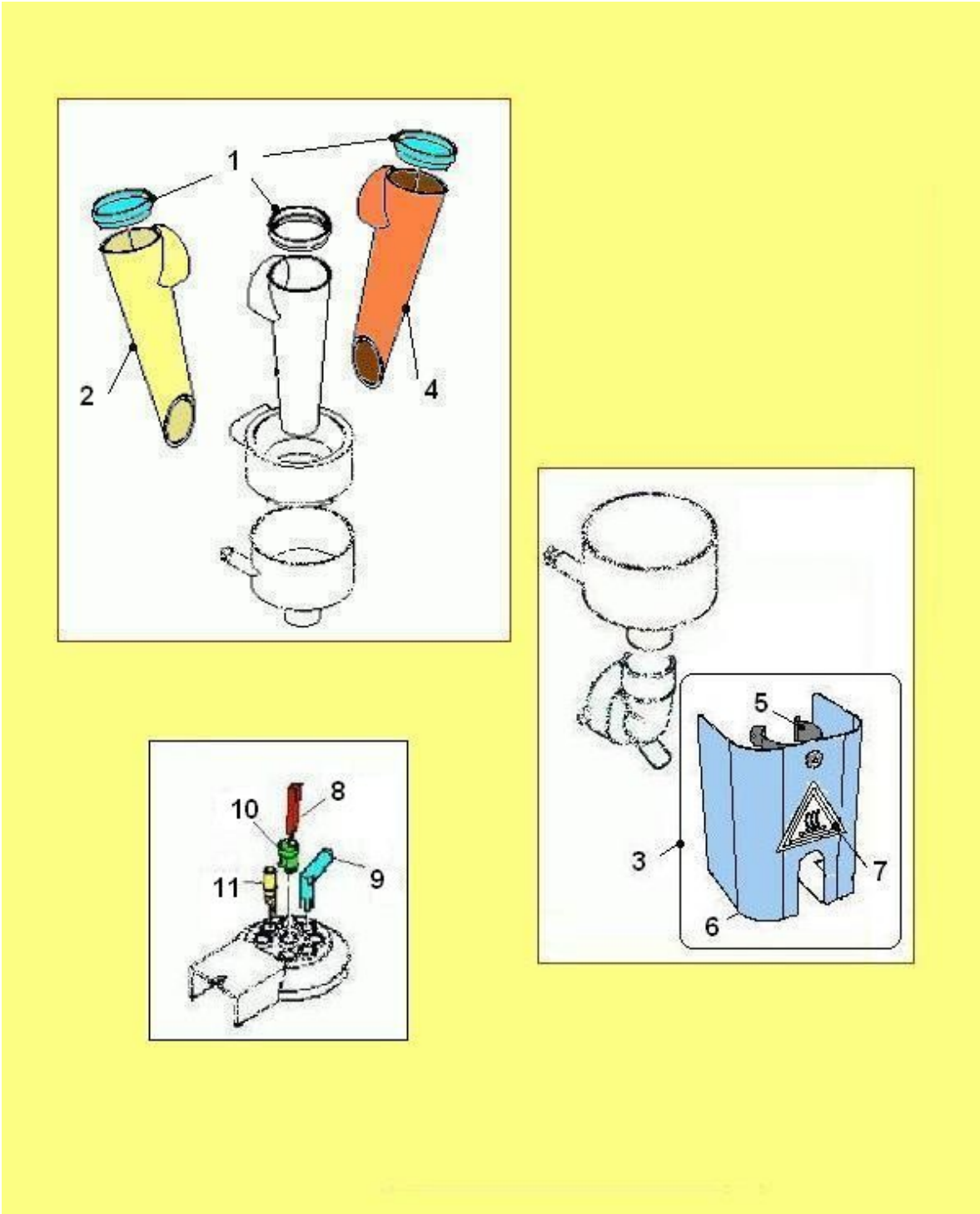
COFFEE GRINDER - DOSER (817) - Items detail

Position	SPARE PARTS CODE VARIANT	Accessories	DESCRIPTION	For each main Item multiply q.ty by
1	96057650-02		C/O MACINADOS. CAFFE SX BV972	
2	96057640-02		C/O MACINADOS. CAFFE DX BV972	
3	22175712-01		CABLAGGIO DOPPIO MACININO	
4	22126622		AMETEK FAST 4,8 grinder motor	
100	See Table "COFFEE DOSER ASSEMBLY (539)" - Pag. 134			
200	See Table "GRINDER WITH VERTICAL MOTOR (816)" - Pag. 194			

Tables of group :

-  **Coffee Machines**
-  **BVM 952 - Free Standing**
-  **BV952ES05GG - BVM952 E5S MC DM PD**
-  **INSTANT ASSEMBLY**

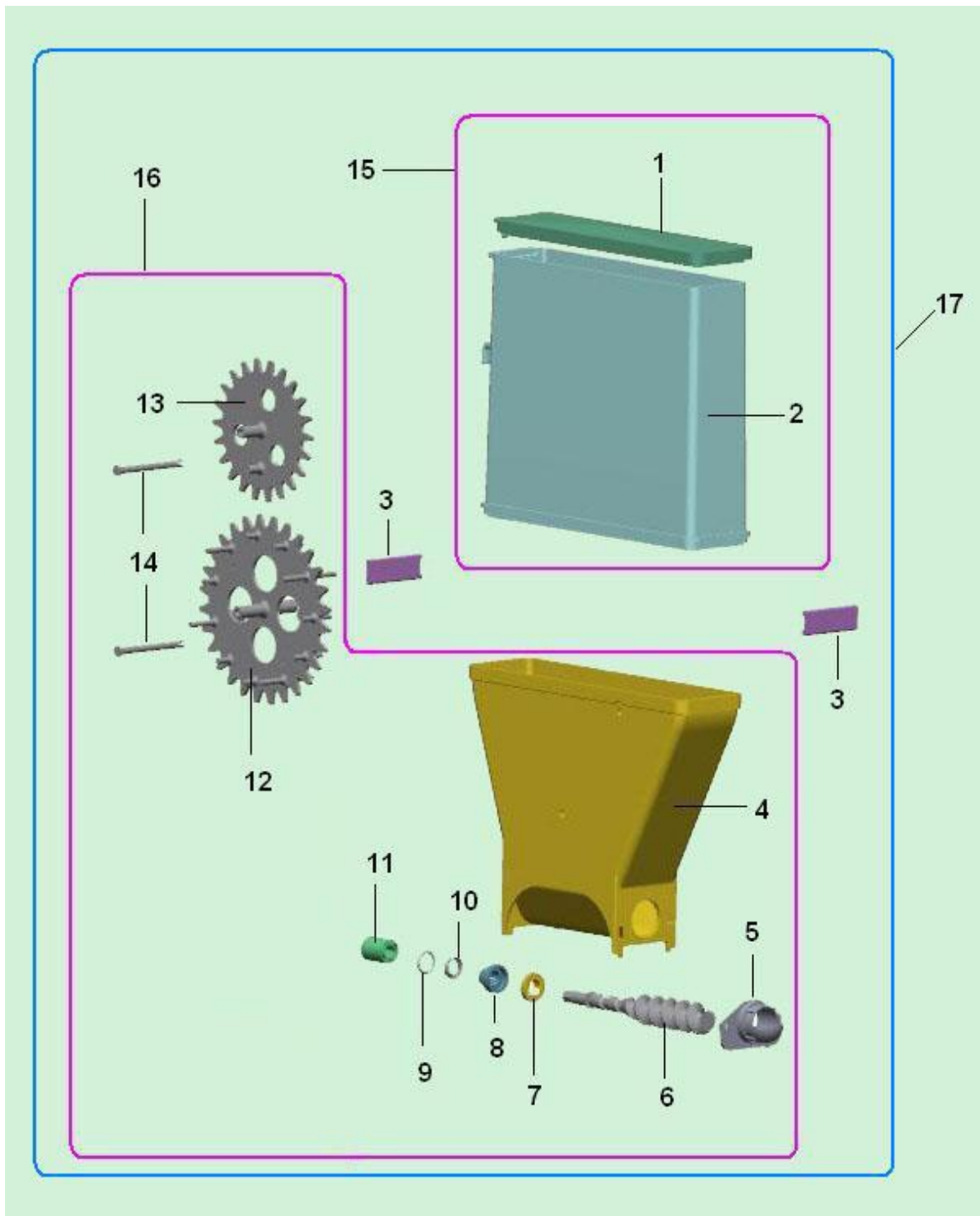
Table: SUPPLEMNT PARTS (824)



SUPPLEMNT PARTS (824) - Items detail

Position	SPARE PARTS CODE VARIANT	Accessories	DESCRIPTION	For each main item multiply q.ty by
1	05160415-01M37		powder funnel cap brown	
2	05160665		brown left powder funnel l=101	
3	01833512		Heated bowl cover assy	
4	05160655		brown right powder funnel l=10	
5	23036116		hook with screw and nut	
6	01833311-01		Heated bowl cover	
7	30069411-01		temperat.safety sticker	
8	05099715-01M57		UGELLO CAPILLARE L=48 AM	
9	05089815-02M57		AM elbow dispensing nozzle	
10	05099615		nozzle bush	
11	05096025M57		BECC.EROGAZ.DIRIT.SMUS.NERO AM	

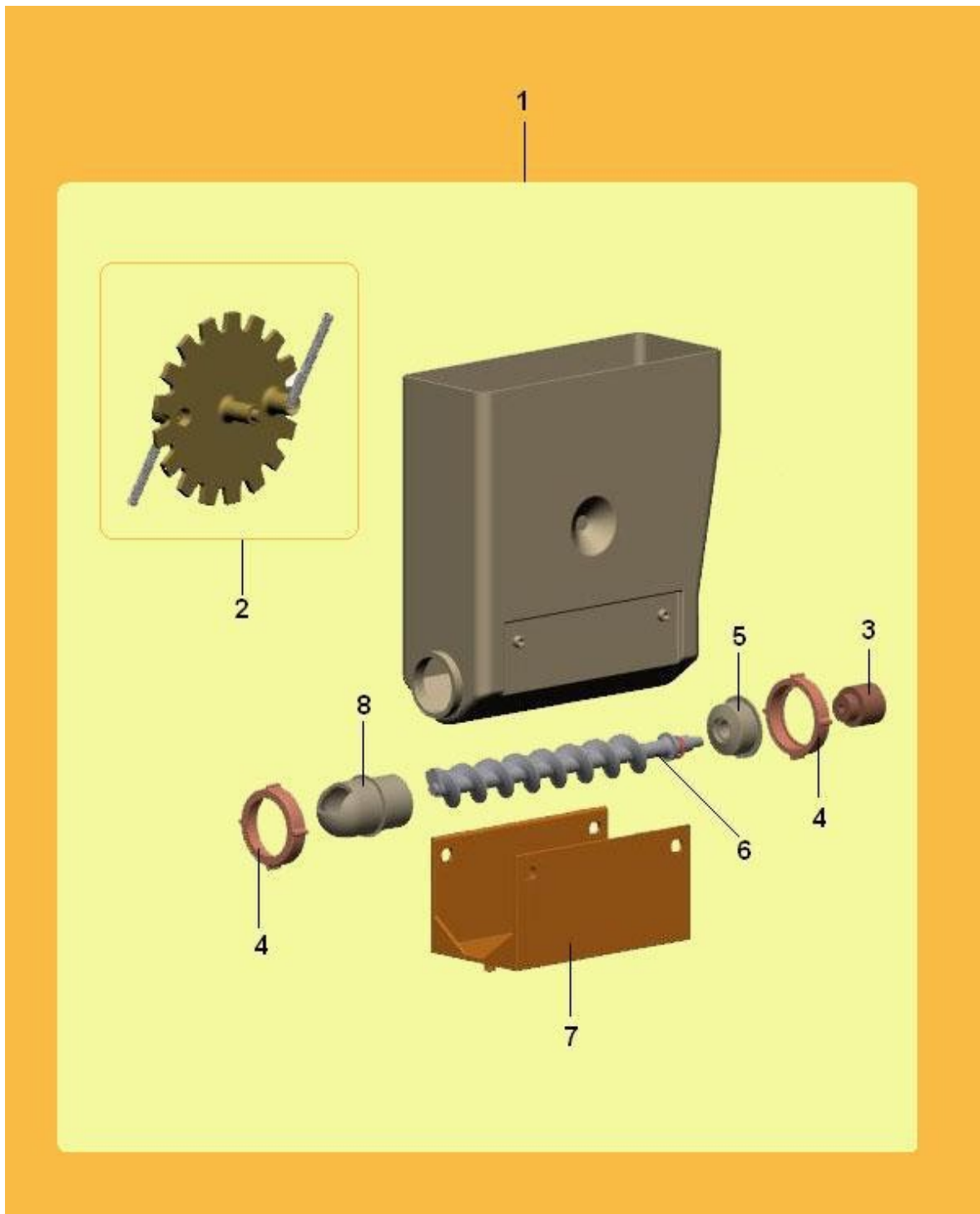
Table: ASS. SCATOLA DOS. 2/R (871)



ASS. SCATOLA DOS. 2/R (871) - Items detail

Position	SPARE PARTS CODE VARIANT	Accessories	DESCRIPTION	For each main Item multiply q.ty by
1	05112915		canister lid	
2	05112755-01		SCAT.DOS-SUP.L=221	
3	05113415		hook	
4	05158615-02		Lower product canister 2wheels	
5	05158515-01		auger for product canister	
6	05124515		dispensing auger	
7	05113215		sealing bushing for auger	
8	05112535		auger pin bushing	
9	36200616		Oring 15x2	
10	36250016		DI 043 gasket	
11	05113315		auger joint	
12	05112215-01		main cogwheel for canister	
13	05112315		secondary cogwheel for caniste	
14	05133115-01		canister pivot	
15	05138410-01		ASS. PROL. SC-DOS L=221	
16	05242710		ASS. SCATOLA DOS. INF. 2/RUOTA	
17	96048720-02		canister 2wheels +221mm	

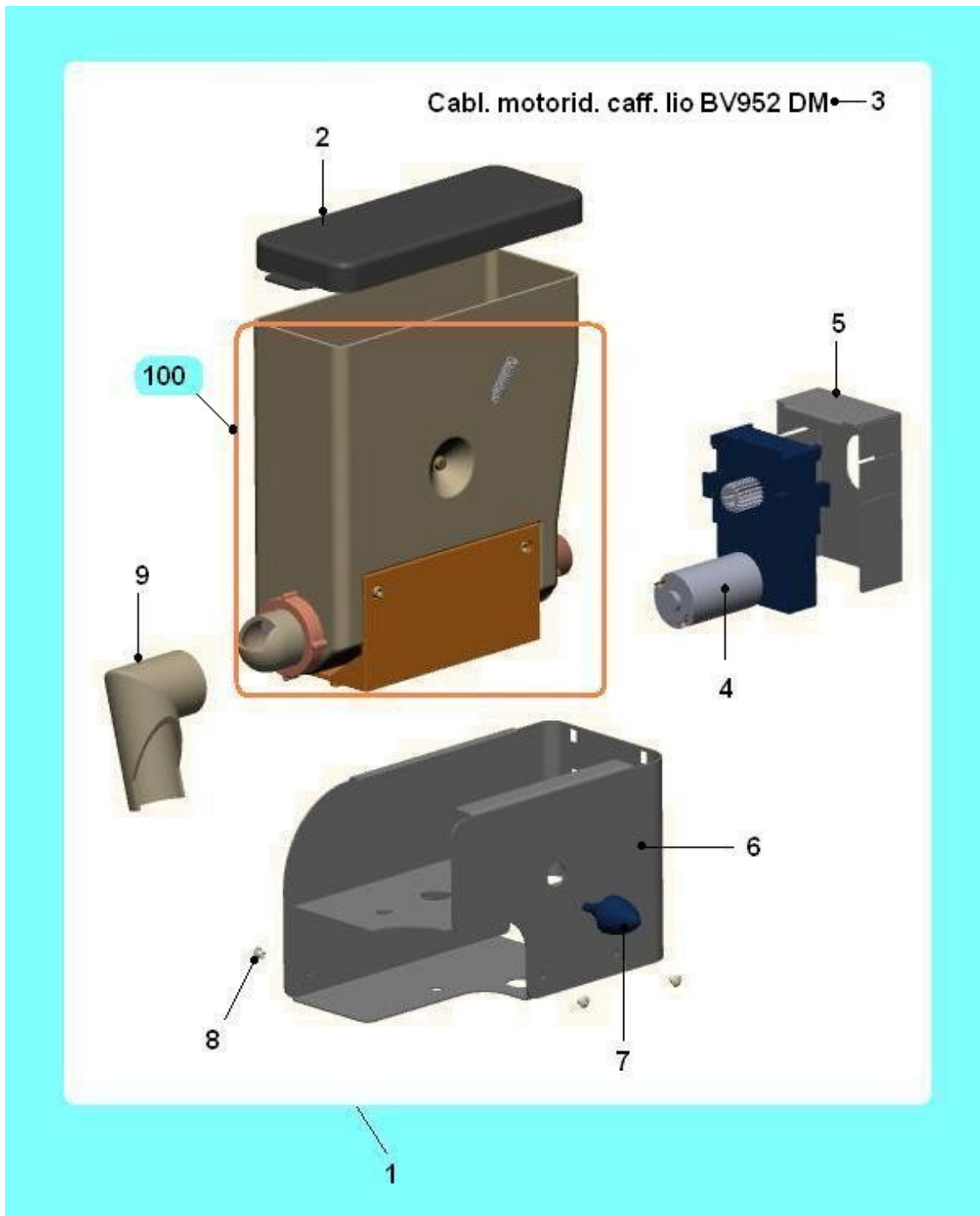
Table: COMPONENTI SCATOLA ORZO/CAFFE (908)



COMPONENTI SCATOLA ORZO/CAFFE (908) - Items detail

Position	SPARE PARTS CODE VARIANT	Accessories	DESCRIPTION	For each main Item multiply q.ty by
1	05203320		SCAT.DOS. S/COPERCHIO BVM300	
2	43017516		wheel diam22,5+springs201A0519	
3	43017416		L20 101A0505B internal cylinde	
4	43017116		flange fix.ring NSF101A049A	
5	43017216		rear flange D.27 NSF101A0492B	
6	43017016		cochlea assy TN CIOCC.201A0510	
7	43097116		POPPETTA POSIZ. IN AVANT.SC-DOS	
8	43017316		front flange D.27 101A049AC	

Table: C/O SCATOLA ORZO/CAFFE BV952 (1020)



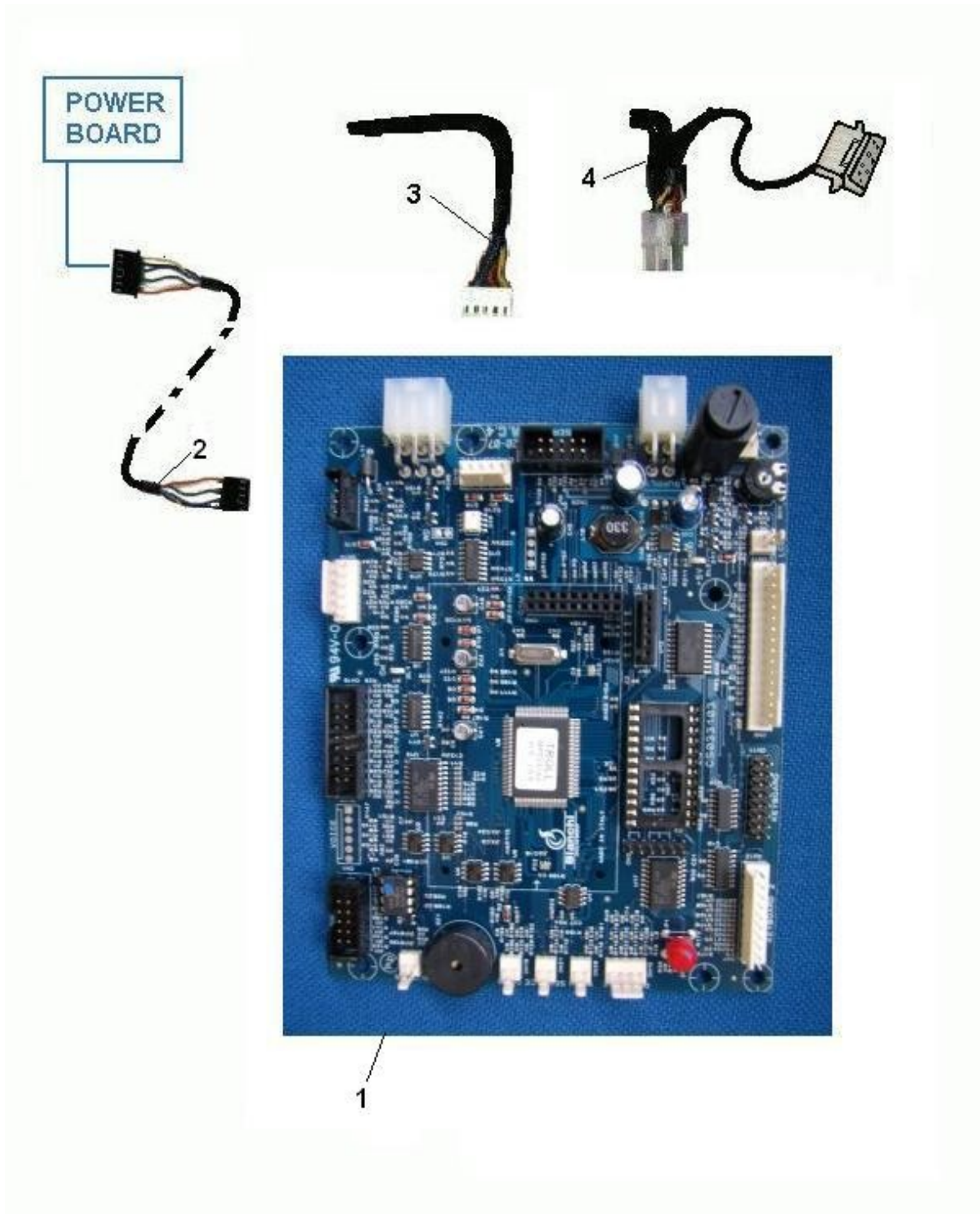
C/O SCATOLA ORZO/CAFFE BV952 (1020) - Items detail

Position	SPARE PARTS CODE VARIANT	Accessories	DESCRIPTION	For each main Item multiply q.ty by
1	96069120		C/O SCATOLA ORZO/CAFFE BVM952	
2	05245216		COPERC.SCATOLA DOS.GRAF BVM300	
3	22184422		CABL.MOTORID.CAFF.LIO BV952 DM	
4	20020316		24V DC motor quick connect.	
5	01885811-01		MASCHERA MOTORIDUTTORE	
6	01872012-01		ASS.SCATOLA CAFFE LIOFILIZZATO	
7	05192515		RUBBER SPACER	
8	33050126		3.2x8 rivet	
9	05230126		PIPA DX 45X65 SCARICATA	
100	See Table "COMPONENTI SCATOLA ORZO/CAFFE (908)" - Pag. 176			

Tables of group :

-  **Coffee Machines**
-  **BVM 952 - Free Standing**
 -  **BV952ES05GG - BVM952 E5S MC DM PD**
 -  **ELECTRICS & ELECTRONICS**

Table: MASTER BOARD - from serial number 07335378



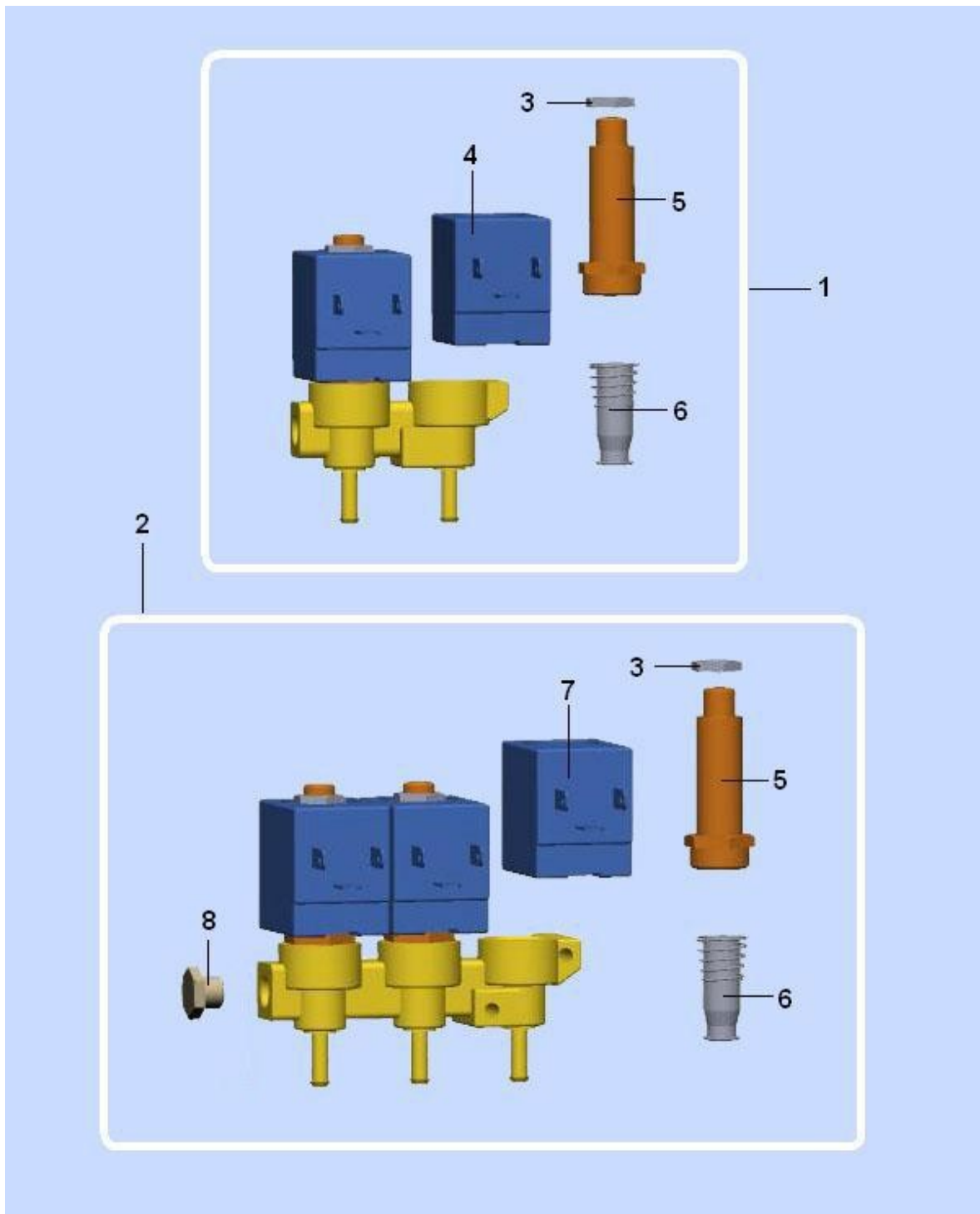
MASTER BOARD - from serial number 07335378 - Items detail

Position	SPARE PARTS CODE VARIANT	Accessories	DESCRIPTION	For each main Item multiply q.ty by
1	26027336-02		Blue SMT w/micro256K CPU board	
2	43020012		cable from Master B.SMT to Pow	
3	22084222-01		executive cable	
4	22172312		bvm970mdb+executive supply cab	

Tables of group :

-  **Coffee Machines**
-  **BVM 952 - Free Standing**
 -  **BV952ES05GG - BVM952 E5S MC DM PD**
 -  **HYDRAULIC COMPONENTS**

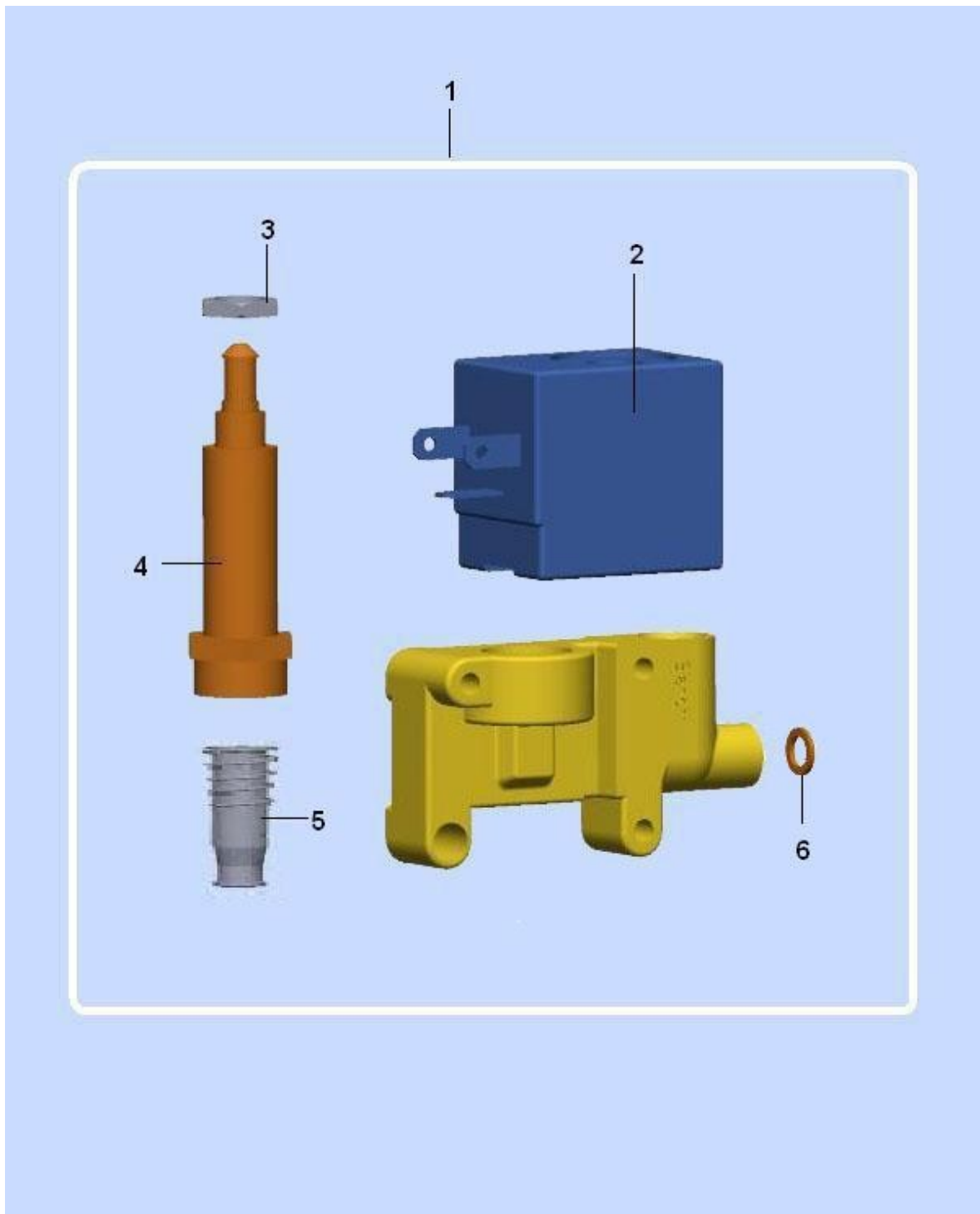
Table: COMPONENTI EL-VALV. 2 VIE DC OLAB (929)



COMPONENTI EL-VALV. 2 VIE DC OLAB (929) - Items detail

Position	SPARE PARTS CODE VARIANT	Accessories	DESCRIPTION	For each main Item multiply q.ty by
1	25021426		2 ways 24V DC 2el-valves assy	
2	25019416-01		24V DC 3EV block two-ways elec	
3	43050616			
4	41037116		OLAB coil 3W 24VDC	
5	41037316		OLAB armature tube 2W	
6	41037216		OLAB plunger 2W	
7	25019416B		electrovalve coil 25019416	
8	43031516		Threaded cap 1/8NICH.6084/2N	

Table: COMPONENTI EL-VALV. 3 VIE OLAB (930)



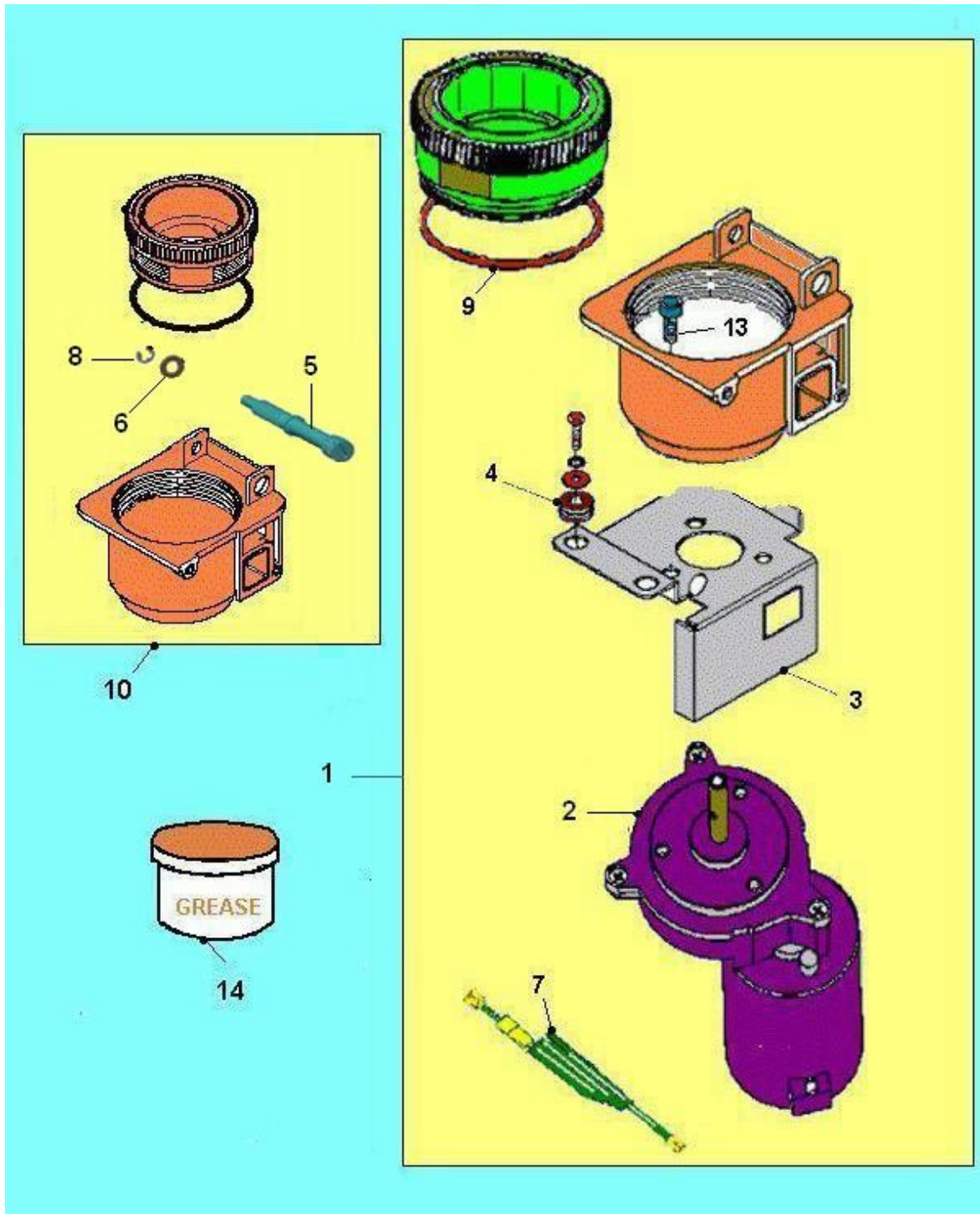
COMPONENTI EL-VALV. 3 VIE OLAB (930) - Items detail

Position	SPARE PARTS CODE VARIANT	Accessories	DESCRIPTION	For each main Item multiply q.ty by
1	25020856		3ways elect.valve24Vdc(0-7,5b)	
2	41037116		OLAB coil 3W 24VDC	
3	43050616			
4	41037516		OLAB armature tube 3W	
5	41037416		OLAB plunger 3W	
6	43001316		9,63x6,07 o-ring viton	

Tables of group :

 **Other tables**

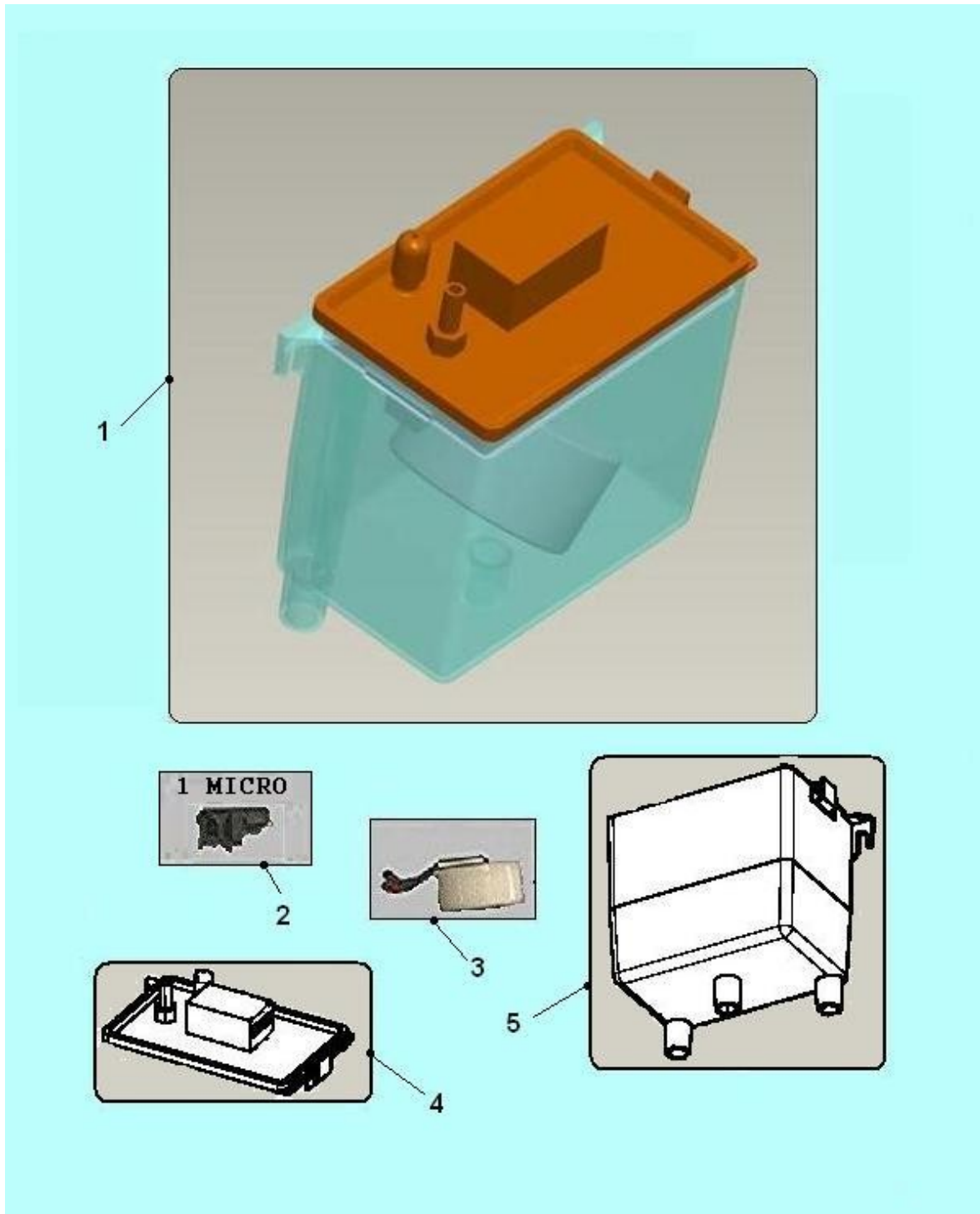
Table: VERTICAL GRINDER ASSEMBLY(30)



VERTICAL GRINDER ASSEMBLY(30) - Items detail

Position	SPARE PARTS CODE VARIANT	Accessories	DESCRIPTION	For each main Item multiply q.ty by
1	41038520		new grinder assy 24VDC ametek	
2	20020616		24VDC grinder Ametek gearmotor	
3	01586921		Grinder Ametek support	
4	23004086		cable damper(6*15 - rubber)	
5	05134715		grinder adjustment screw	
6	35168826		ROND-PIANA D.8,4x15,5x1,2±0,0	
7	22126622		AMETEK FAST 4,8 grinder motor	
8	37001116		Ø 6 seeger ring	
9	36211316		O-ring 3262 NBR 70 SH	
10	43018910-01		grinder chamber assy w/knob	
13	32135316		MA6X12 cross-headed embedded h	
14	43028311		40g food grease	

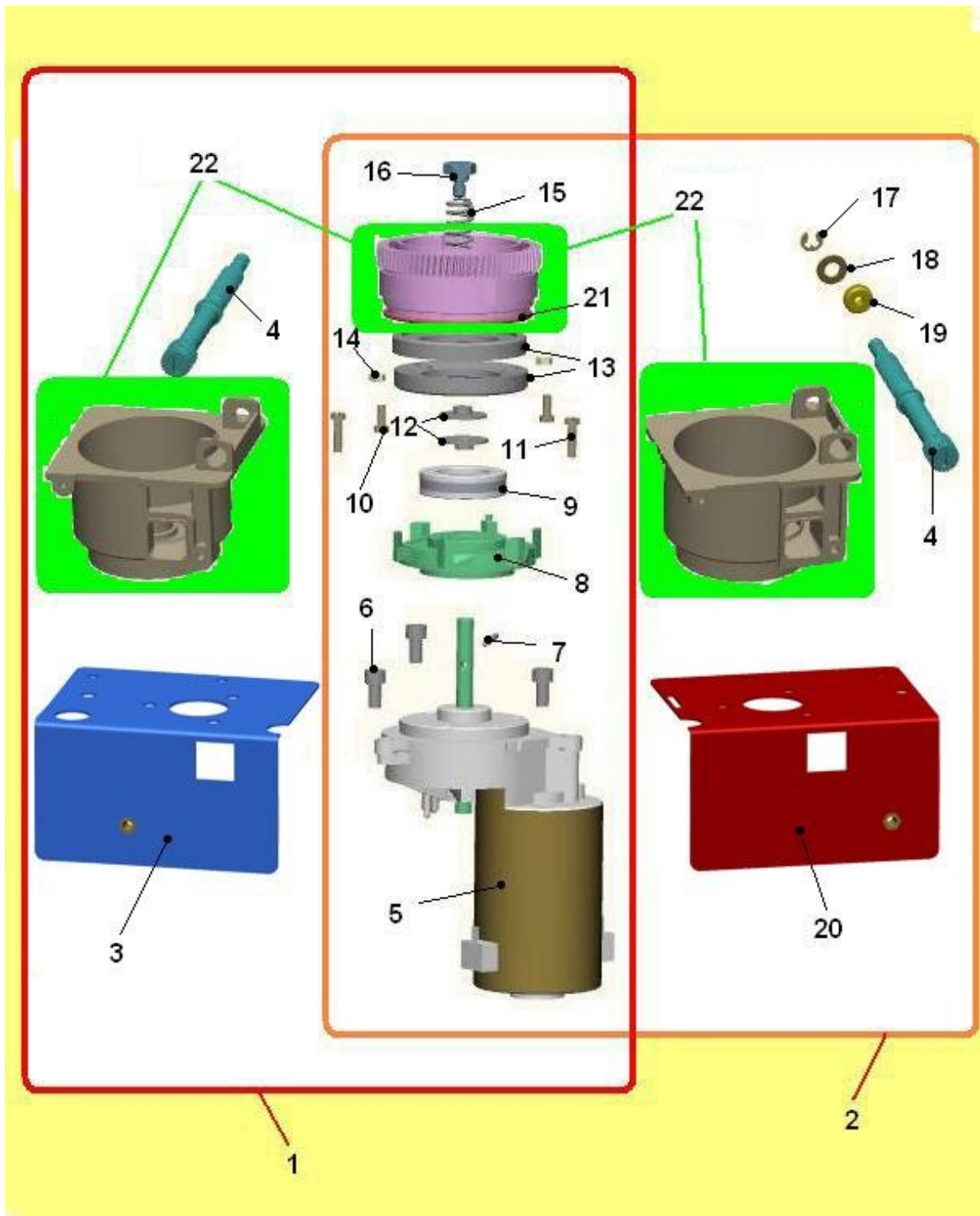
Table: AIR BREAK ASSY W/MICRO SW (784)



AIR BREAK ASSY W/MICRO SW (784) - Items detail

Position	SPARE PARTS CODE VARIANT	Accessories	DESCRIPTION	For each main item multiply q.ty by
1	93012030		air break assy w/micro SW	
2	43025216		Micro SW1 plate X 9301203	
3	43000916		floater+support for 93012010ai	
4	43001016-01		Water tray cover with joint	
5	43001116		tank for 93012010 airbreak	

Table: GRINDER WITH VERTICAL MOTOR (816)



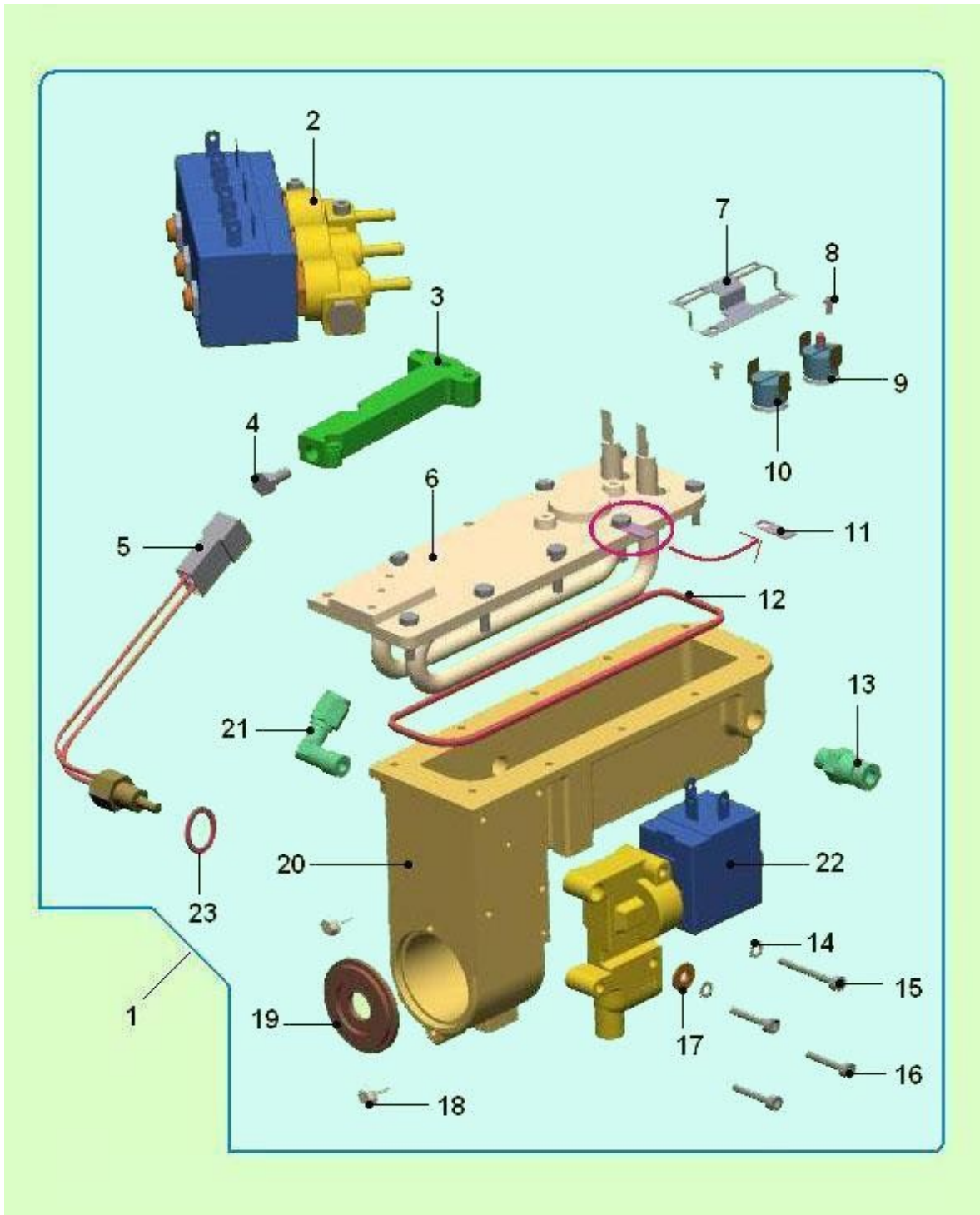
GRINDER WITH VERTICAL MOTOR (816) - Items detail

Position	SPARE PARTS CODE VARIANT	Accessories	DESCRIPTION	For each main Item multiply q.ty by
1	86001350-02		ASS.MACININO CAFFE SX BVM 972	
2	86001340-02		ASS. MACININO CAFFE DX BVM 972	
3	01926922		LT grinder fixing plate assy	
4	05134715		grinder adjustment screw	
5	20020616		24VDC grinder Ametek gearmotor	
6	32135316		MA6X12 cross-headed embedded h	
7	12017411		wire D30x30	
8	13008211-02		PORTAMACINE MOBILE	
9	19059216		bearing	
10	32060516		4MAX10 screw	
11	32060816		4MAX16 TCscrew	
12	19060411		bush with washer	
13	18007326		MACINA MACININO D. 64 12 DENTI	
14	34102816		4MA hex nut	
15	07020411		grinder holder spring	
16	19059021		screw for ametek spring	
17	37001116		Ø 6 seeger ring	
18	35168826		ROND-PIANA D.8,4x15,5x1,2±0,0	
19	23004086		cable damper(6*15 - rubber)	
20	01926912		ASS.PIASTRA FISS. MACININO DX	
21	36211316		O-ring 3262 NBR 70 SH	
22	43018910-01		grinder chamber assy w/knob	

POMPA ACQUA - RILEVATORE DI FLUSSO (907) - Items detail

Position	SPARE PARTS CODE VARIANT	Accessories	DESCRIPTION	For each main Item multiply q.ty by
1	09029763		5x9 transparent silicone pipe	
2	27003316		EX5 230V-50Hz Ulka electropump	
3	04040916-01		11BAR PRO SAFETY VALVE	
4	04041016		anti return valve male/female	
5	05240015M00		3ways connector 9mm ext.	
6	25022616		clixon 100°	
7	24012116		flow sensor	
8	05259515M09		SUPP. POMPA ULKA/FLUIDOTECH	
9	07016416-01		pump support	
10	09085423		4x6 teflon pipe	
17	04035326		elbow connection	
18	07017711		tea serpent. spring	

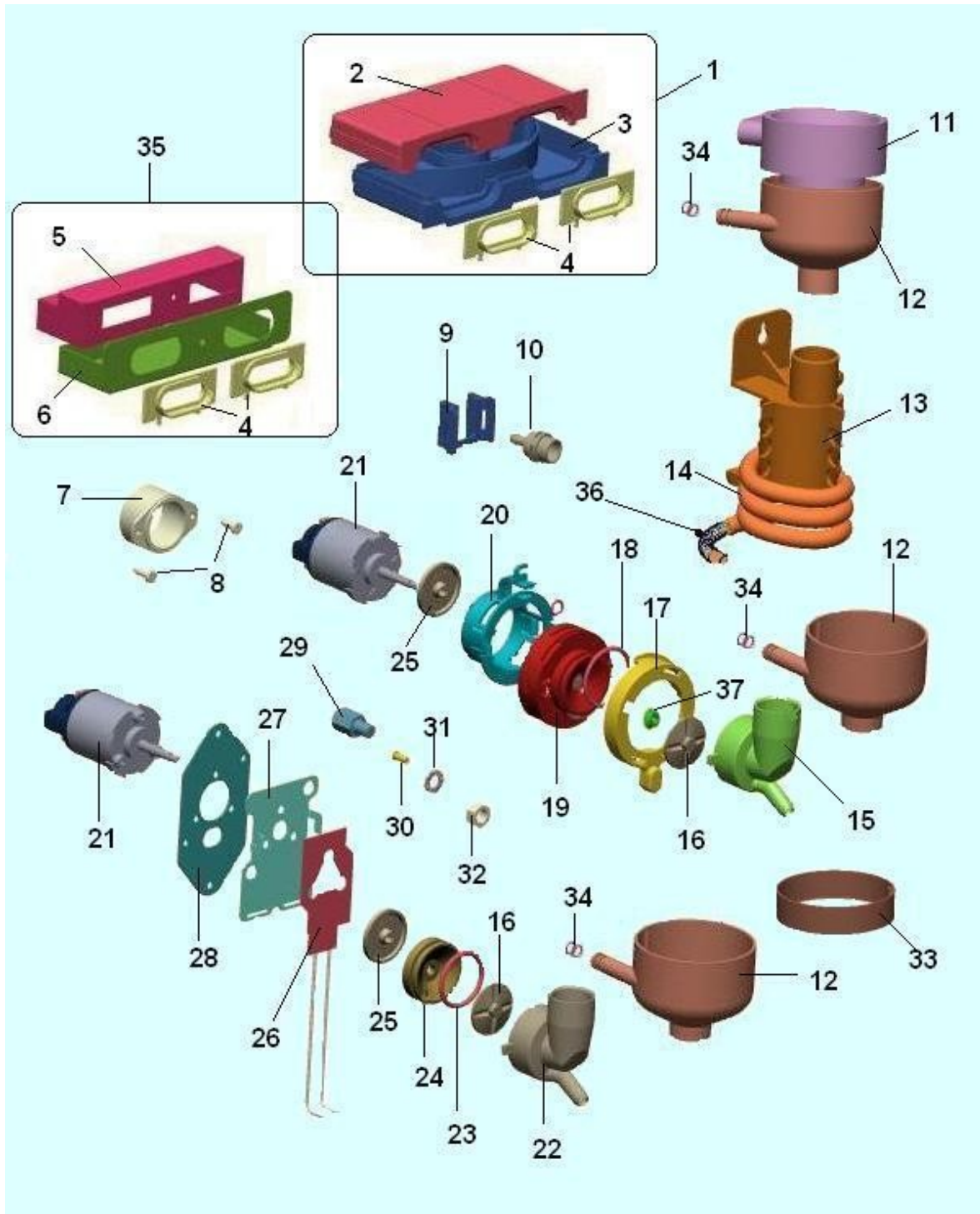
Table: COMPONENTI CALDAIA (922)



COMPONENTI CALDAIA (922) - Items detail

Position	SPARE PARTS CODE VARIANT	Accessories	DESCRIPTION	For each main Item multiply q.ty by
1	85003110-01		Boiler assembly	
2	25019416-01		24V DC 3EV block two-ways elec	
3	19059411-01		new electrovalve block spacer	
4	32125336		6 MA X 12 IX screw	
5	26050826-01		sens. temp. w/connector (inox)	
6	29004312-01		new heating element assy(inox)	
7	01599411-02		Thermoregulator spring	
8	32025116		TC 3MAx5 screw	
9	25020616-01		manual recharge clixon (135°)	
10	25020516		automatic recharge clixon110°	
11	23020626		male tab	
12	05143815		boiler gasket	
13	04040316		drain valve	
14	35160316		d. 4,2 IX self locking washer	
15	32068216		4MAX30 screw	
16	32067916		TCEI 4MAx20 screw	
17	35157616		plain washer Ø.4,3 ac.	
18	32050516		screw 4 MAx10	
19	18007011		piston stop washer OT58	
20	13008011		espresso boiler body	
21	04035326		elbow connection	
22	25020856		3ways elect.valve24Vdc(0-7,5b)	
23	18002516		copper gasket	

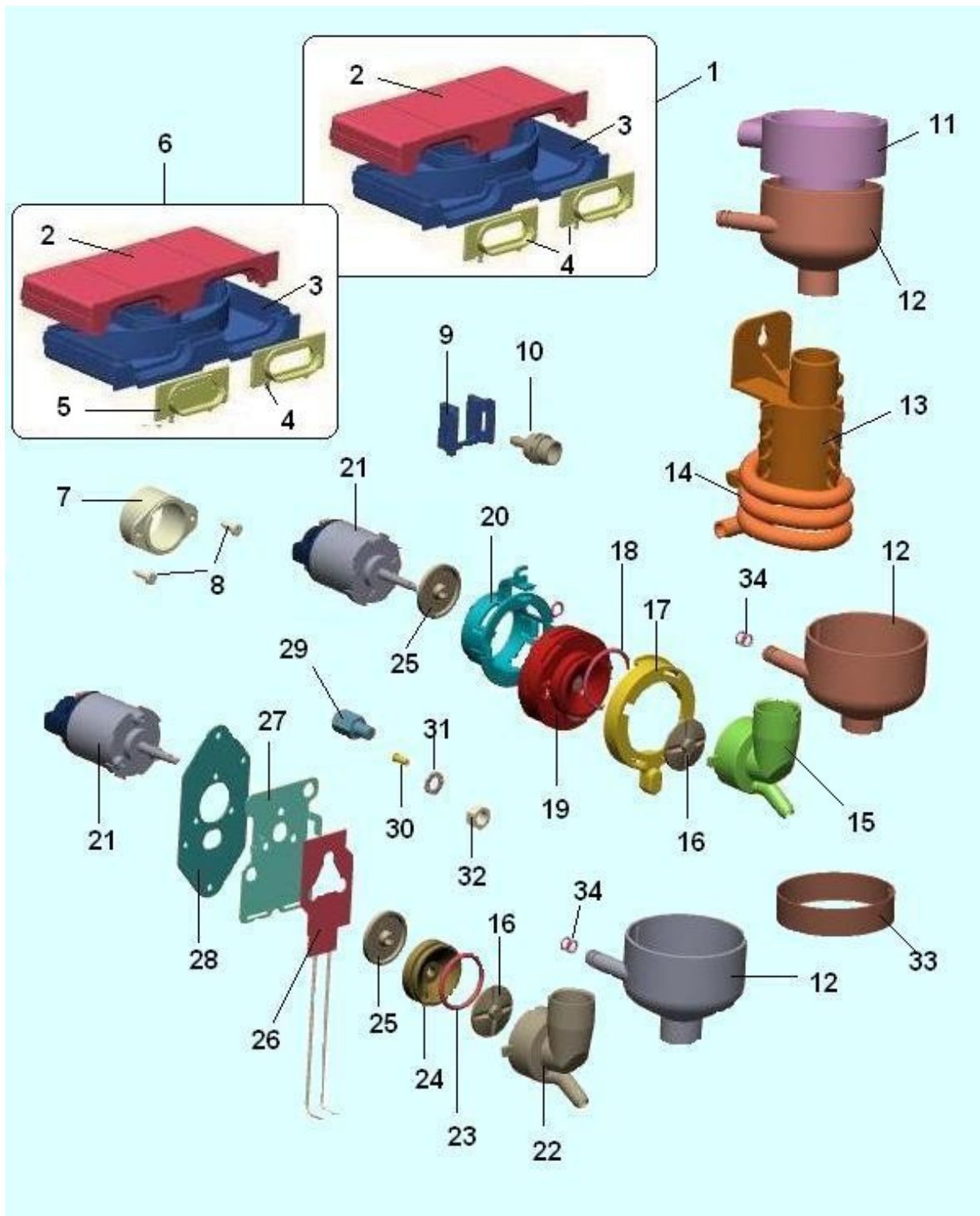
Table: MIXERS COMPONENTS (923)



MIXERS COMPONENTS (923) - Items detail

Position	SPARE PARTS CODE VARIANT	Accessories	DESCRIPTION	For each main Item multiply q.ty by
1	05169010		lower aspiration box	
2	05139725		upper aspiration box	
3	05139625		lower aspiration box peglVS	
4	05117615		vapor aspiration box opening	
5	01886211		Suction chamber higher body	
6	01886311		Suction chamber lower body	
7	05071915		aspiration pipe connection	
8	32222956		3.9x13 self-threading screw	
9	05159025M37		rubber holder connection suppo	
10	05132515M57		black r. holder connec.for 3,5	
11	05113815M57		black mixing bowl cover	
12	05113745M57		mixing bowl L=10 black am	
13	05141815-01M57		SUPP.SERPENT.THE PLS NERO AM	
14	09087823M57		5x9 silicon pipe black am	
15	05111615M57		mixer chamber black AM	
16	05111825		mixer impeller	
17	05240915M37		Mixing room blocking flange	
18	36210716		OR 3131 gasket	
19	05243112M57		chamber support flange assy	
20	05241115-01M37		Motor support flange	
21	20020016-01		24VDC mixermotor screwed shaft	
22	05137615		verton mixer chamber	
23	36212516		O-Ring 29,74x2,95 viton	
24	19033441		mixer base	
25	05154015		mixer protection disk	
26	29004216		20W 24V heating element(heat.m	
27	01830711		Heated bowl support	
28	01830812		Heated bowl w/insert supp assy	
29	19056531-01		Spacer nut L=26,5	
30	32238036		PRIG. M4X10 PEM ZN	
31	35160616		Ø 8.3 self-locking washer	
32	34103116		8MA hex nut	
33	05132415M57		COLLARE COPP.MISC. NERO AM	
34	36203816		OR 106 6,75/1,78 gasket	
35	01789310		ASS. CASSETTO DOPPIO ASPIR. DM	
36	07017711		tea serpent. spring	
37	36351215		green V-seal gasket	

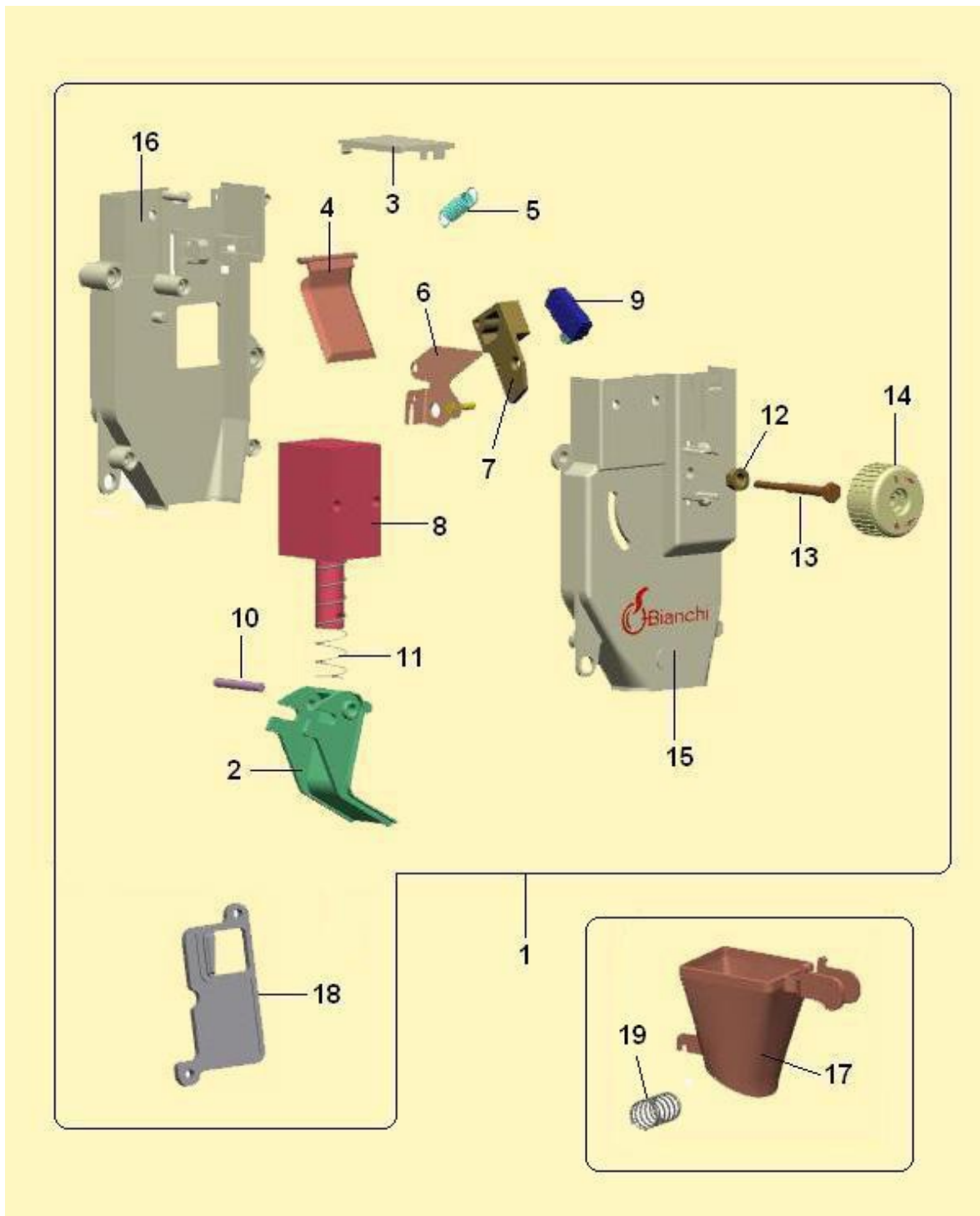
Table: MIXERS COMPONENTS (762)



MIXERS COMPONENTS (762) - Items detail

Position	SPARE PARTS CODE VARIANT	Accessories	DESCRIPTION	For each main item multiply q.ty by
1	05169010		lower aspiration box	
2	05139725		upper aspiration box	
3	05139625		lower aspiration box pegIVS	
4	05117615		vapor aspiration box opening	
5	05117215		aspiration box plug	
6	05169020		Low.brown suction box RT clos.	
7	05071915		aspiration pipe connection	
8	32222956		3.9x13 self-threading screw	
9	05159025M37		rubber holder connection suppo	
10	05132515M57		black r. holder connec.for 3,5	
11	05113815M57		black mixing bowl cover	
12	05113745M57		mixing bowl L=10 black am	
13	05141815-01M57		SUPP.SERPENT.THE PLS NERO AM	
14	09087823M57		5x9 silicon pipe black am	
15	05111615M57		mixer chamber black AM	
16	05111825		mixer impeller	
17	05240915M37		Mixing room blocking flange	
18	36210716		OR 3131 gasket	
19	05243112M57		chamber support flange assy	
20	05241115-01M37		Motor support flange	
21	20020016-01		24VDC mixermotor screwed shaft	
22	05137615		verton mixer chamber	
23	36212516		O-Ring 29,74x2,95 viton	
24	19033441		mixer base	
25	05154015		mixer protection disk	
26	29004216		20W 24V heating element(heat.m	
27	01830711		Heated bowl support	
28	01830812		Heated bowl w/insert supp assy	
29	19056531-01		Spacer nut L=26,5	
30	32238036		PRIG. M4X10 PEM ZN	
31	35160616		Ø 8.3 self-locking washer	
32	34103116		8MA hex nut	
33	05132415M57		COLLARE COPP.MISC. NERO AM	
34	36203816		OR 106 6,75/1,78 gasket	

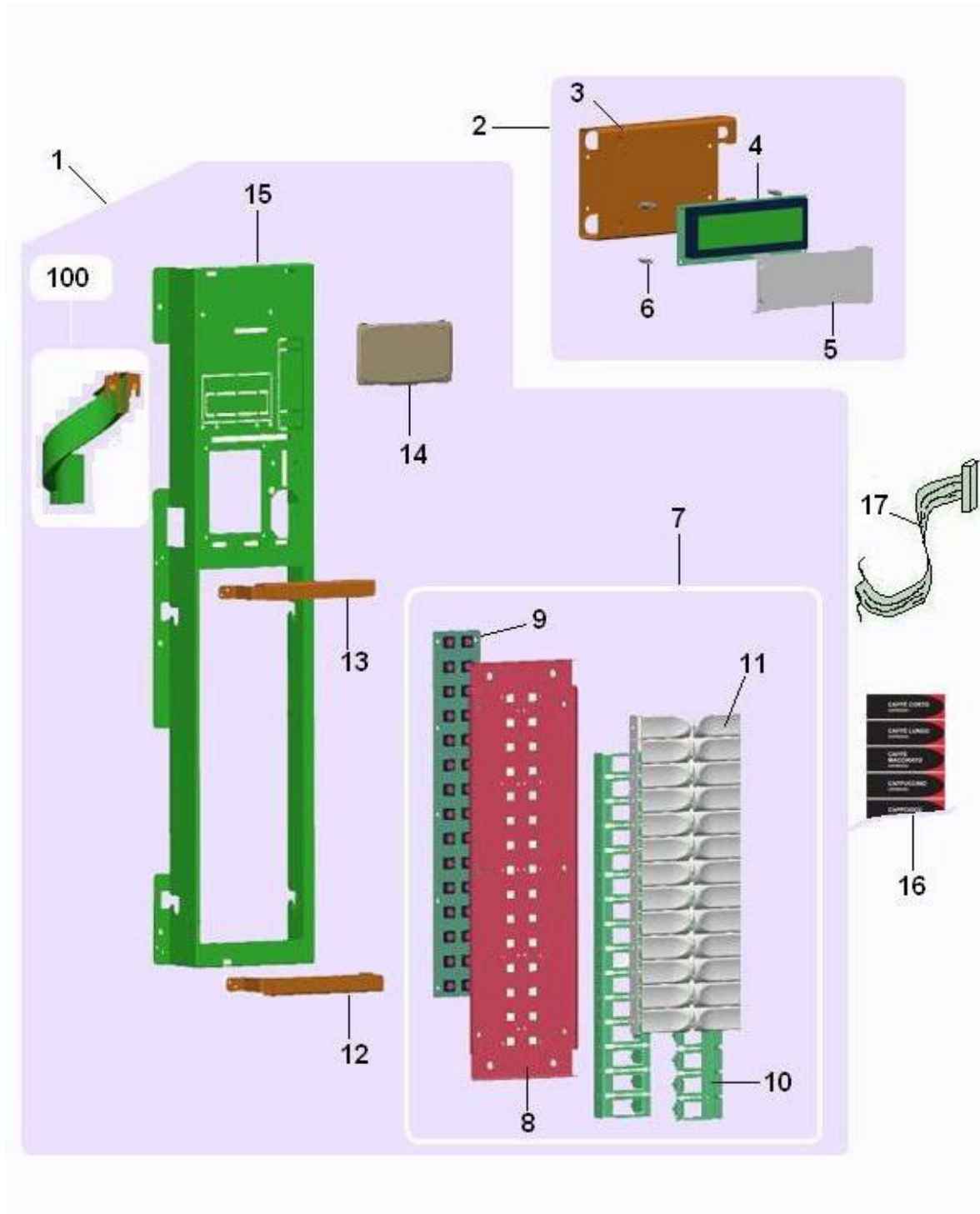
Table: ASS. DOSATORE CAFFE (964)



ASS. DOSATORE CAFFE (964) - Items detail

Position	SPARE PARTS CODE VARIANT	Accessories	DESCRIPTION	For each main Item multiply q.ty by
1	43002410-02		doser assy with spacer	
2	05135115-01		coffee doser tray	
3	05135025		top cover for doser	
4	05135315		coffee doser mobile wall	
5	07020611		spring	
6	01586212-02		MICRO SUPPORT	
7	05154615		micro. coffee-dos. support	
8	20019146-01		magnet 5% 24v dc	
9	26029616		microswitch with cable(proof)	
10	33051716		4x25 IX parallel pin	
11	07020511-01		magnet spring	
12	34115316		M4 nut with washer	
13	19058911		adjusting screw for micro	
14	05135215		dose adjustment knob	
15	05134815		Doser front cover	
16	05134925		Doser rear cover	
17	05135415		plastic coffee doser	
18	05155615-01		spacer	
19	07020911		coffee funnel spring	

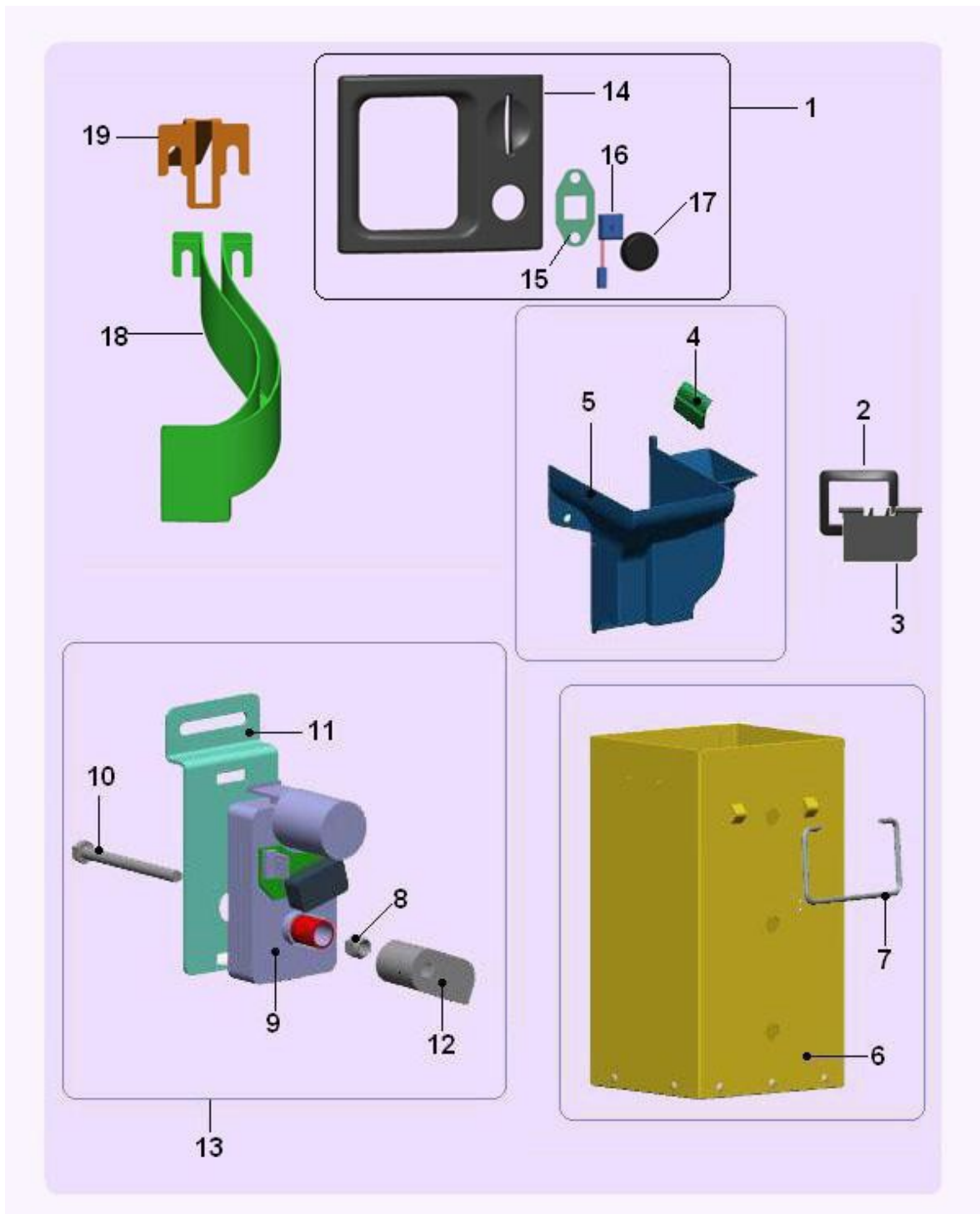
Table: KEYPAD - DISPLAY (984)



KEYPAD - DISPLAY (984) - Items detail

Position	SPARE PARTS CODE VARIANT	Accessories	DESCRIPTION	For each main Item multiply q.ty by
1	01854410		ASS. INTERFACCIA STD BV952	
2	01857210		ASS. DISPLAY BVM 95/97	
3	01793011-01		Display support plate	
4	26047916		NEW DISPLAY 16X2	
5	05232515M00		display transp.protection	
6	33071766		displat spacer L-8	
7	26048220		keypad assy (BVM951)	
8	01795112		Keypad plate assy	
9	26048016		BVM951/971 keypad board	
10	01793711		Buttons support plate	
11	05232415M00		selection button	
12	01827111		BV9711VS lower keypad support	
13	01827011		BV9711VS upper keypad support	
14	05233715M00		transp.info upper panel BVM951	
15	01839412-03		ASS. MASCHERA STD	
16	30262811		selection labels BVM951/971	
17	22175422		16pins flat cable 900mm	
100	See Table "INTRODUZIONE E RECUPERO MONETA (985)" - Pag. 208			

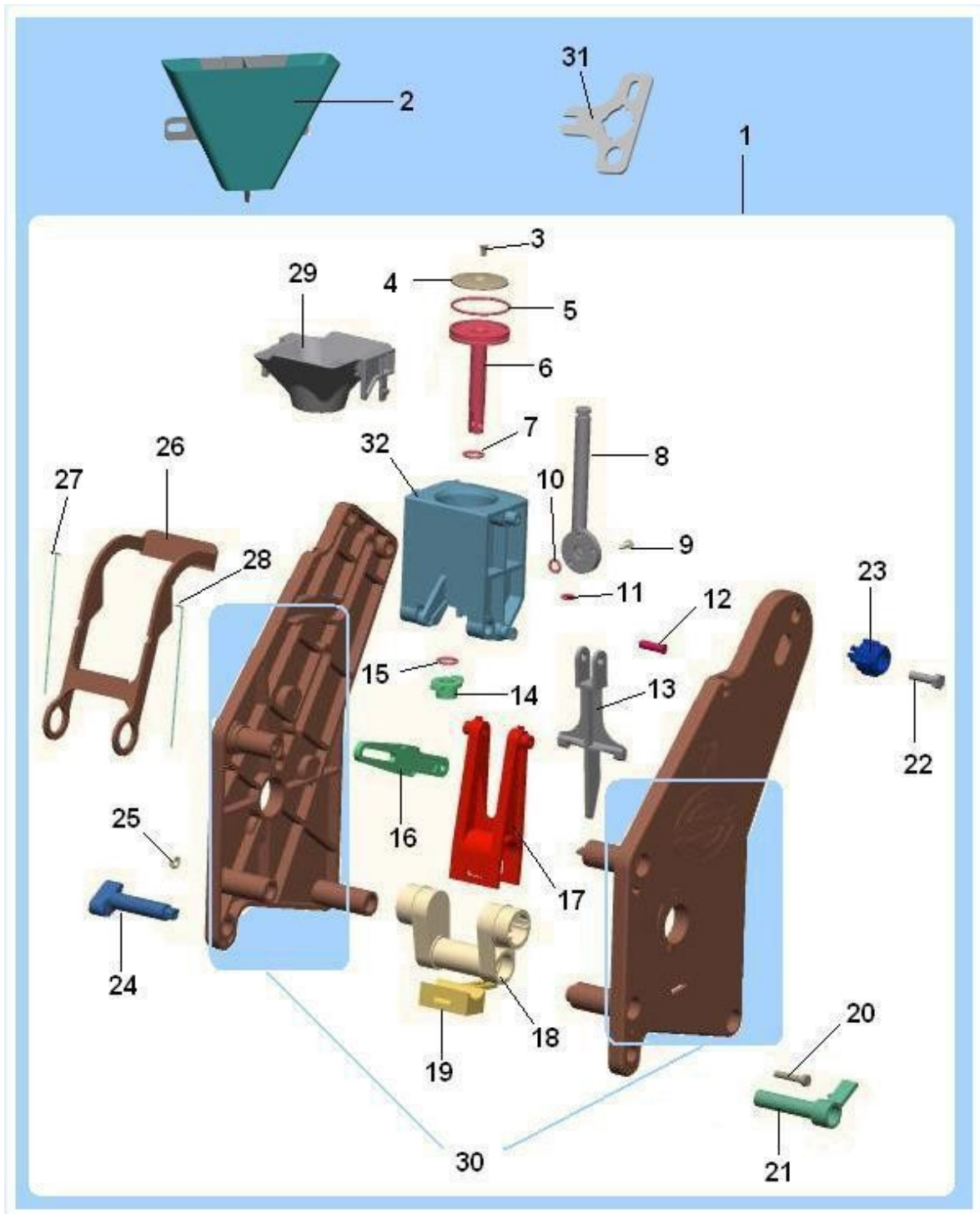
Table: INTRODUZIONE E RECUPERO MONETA (985)



INTRODUZIONE E RECUPERO MONETA (985) - Items detail

Position	SPARE PARTS CODE VARIANT	Accessories	DESCRIPTION	For each main Item multiply q.ty by
1	05249010		BVM coin mask w/button assy	
2	05246715M30		coin recovery frame	
3	05083115-01M30		coin recovery door - graphite	
4	05118241		pipe protection profile	
5	05233615-01M37		coin recovery channel	
6	01830112-02		BV971 IVS coin box assy	
7	12028011		coin box handle	
8	34110416		6MA hex nut	
9	20031216-01		MOTORID.XRENDIR.C/CAMMA ATTUAT	
10	32128316		M6X65 TE ZN screw	
11	01799011-01		Change giver motor support	
12	05192815-01M78		CAMMAXATTUATORE RENDIMON.GRIG	
13	96065520		coin return motor assembly	
14	05232215M30		coin introd+m/s frame graphite	
15	01796011		button support plate	
16	26019492		change giver button	
17	05232315M09		black change giver button	
18	05233515M37		Coin Introduction slide	
19	01807111		coin slide roof	

Table: GRUPPO CAFFE' PLASTICA C/IMBUTO (1005)



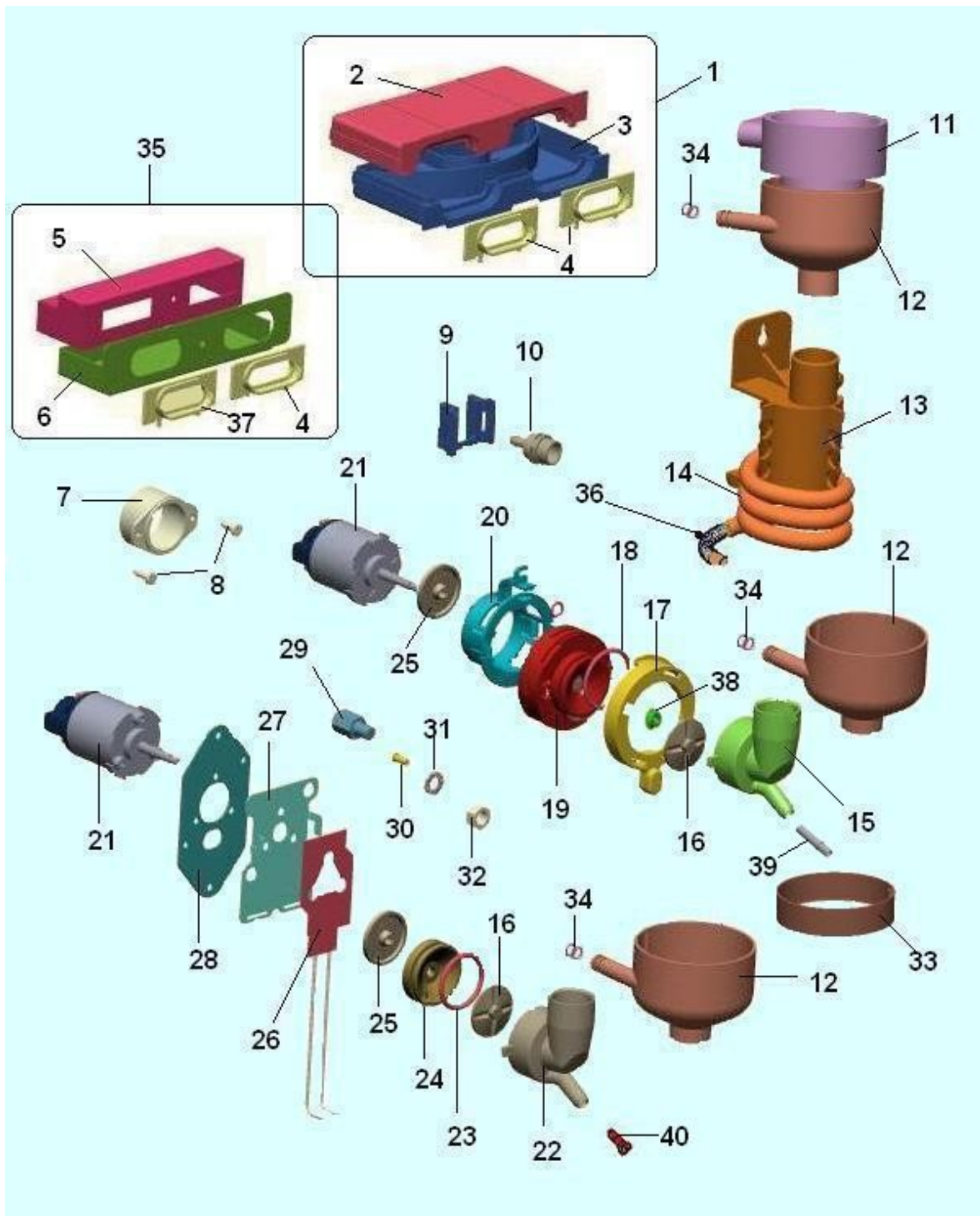
GRUPPO CAFFE' PLASTICA C/IMBUTO (1005) - Items detail

Position	SPARE PARTS CODE VARIANT	Accessories	DESCRIPTION	For each main item multiply q.ty by
1	95007430-02		GR.CAFFE NB ANTICALC.C/IMBUTO	
2	01923020		ASS. CONVOGLIATORE CAFFE 2 MAC	
3	32035236		TSP 3MAx16 IX screw	
4	16012021		coffee group filter	
5	36363116		OR 2118 SH70 VITON	
6	05161215		waste coffee eject rod	
7	36212716		OR 3037 SH70 VITON	
8	05106815-01		tube for cup	
9	32222827		Blunt self-threaded screw 2,9x	
10	36210916		OR2021 gasket	
11	36351316		o-ring for coffee group pipe	
12	05107515		rivet	
13	05148315		rod lifter	
14	05106715		bush cup	
15	36211916		OR 2037 gasket	
16	05107415		drive rod	
17	05107115		connecting rod	
18	05107615		crank	
19	05107215		bracket	
20	32060936		TC 4MAx20 screw	
21	05107815		locking lever	
22	32090636		TE 5MAx18 screw	
23	05109515		konb	
24	05107915		locking rod	
25	34110316		Self-locking nut 5MA	
26	05107015		spatula	
27	07017911		right spatula spring	
28	07017921		left spatula spring	
29	05253815M09		IMBUTO GR-CAFFE BVM 333	
30	43123910		front/rear shoulder assembly	
31	01475411-01		Coffee group rotation key	
32	05106615-01		cup	

KEYPAD - DISPLAY (1010) - Items detail

Position	SPARE PARTS CODE VARIANT	Accessories	DESCRIPTION	For each main Item multiply q.ty by
1	01854420		ASS. INTERFACCIA BV952 DM	
2	01857210		ASS. DISPLAY BVM 95/97	
3	01793011-01		Display support plate	
4	26047916		NEW DISPLAY 16X2	
5	05232515M00		display transp.protection	
6	33071766		displat spacer L-8	
7	26048260		ASS. PULSANTIERA BVM952 MC DM	
8	01795112		Keypad plate assy	
9	26048016		BVM951/971 keypad board	
10	01793711		Buttons support plate	
11	05232415M00		selection button	
12	01827111		BV9711VS lower keypad support	
13	01827011		BV9711VS upper keypad support	
14	05233715M00		transp.info upper panel BVM951	
15	01839412-03		ASS. MASCHERA STD	
16	30262811		selection labels BVM951/971	
17	22175422		16pins flat cable 900mm	
18	05237015M00		selection double button	
19	30263811		black panel upper showcase BVM	
20	30269511		ETICHET.SELEZIONE BV952/972 DM	
100	See Table "INTRODUZIONE E RECUPERO MONETA (985)" - Pag. 208			

Table: COMPONENTI PER MISCELATORI (1015)



COMPONENTI PER MISCELATORI (1015) - Items detail

Position	SPARE PARTS CODE VARIANT	Accessories	DESCRIPTION	For each main item multiply q.ty by
1	05169010		lower aspiration box	
2	05139725		upper aspiration box	
3	05139625		lower aspiration box peglVS	
4	05117615		vapor aspiration box opening	
5	01886231		CORPO SUP. CASSETTO ASPIR.	
6	01886331		CORPO INF. CASSETTO ASPIR.	
7	05071915		aspiration pipe connection	
8	32222956		3.9x13 self-threading screw	
9	05159025M37		rubber holder connection suppo	
10	05132515M57		black r. holder connec.for 3,5	
11	05113815M57		black mixing bowl cover	
12	05113745M57		mixing bowl L= 10 black am	
13	05141815-01M57		SUPP.SERPENT.THE PLS NERO AM	
14	09087823M57		5x9 silicon pipe black am	
15	05111615M57		mixer chamber black AM	
16	05111825		mixer impeller	
17	05240915M37		Mixing room blocking flange	
18	36210716		OR 3131 gasket	
19	05243112M57		chamber support flange assy	
20	05241115-01M37		Motor support flange	
21	20020016-01		24VDC mixermotor screwed shaft	
22	05137615		verton mixer chamber	
23	36212516		O-Ring 29,74x2,95 viton	
24	19033441		mixer base	
25	05154015		mixer protection disk	
26	29004216		20W 24V heating element(heat.m	
27	01830711		Heated bowl support	
28	01830812		Heated bowl w/insert supp assy	
29	19056531-01		Spacer nut L=26,5	
30	32238036		PRIG. M4X10 PEM ZN	
31	35160616		Ø 8.3 self-locking washer	
32	34103116		8MA hex nut	
33	05132415M57		COLLARE COPP.MISC. NERO AM	
34	36203816		OR 106 6,75/1,78 gasket	
35	01789320		ASS.CASSETT.DOPPIO ASPIR.DX DM	
36	07017711		tea serpent. spring	
37	05117215		aspiration box plug	
38	36351215		green V-seal gasket	
39	05122415M57		RIDUTT. PORTATA LATTE AM	
40	05102215M57		RIDUT.CAM-MISCELAZ. NERO AM	